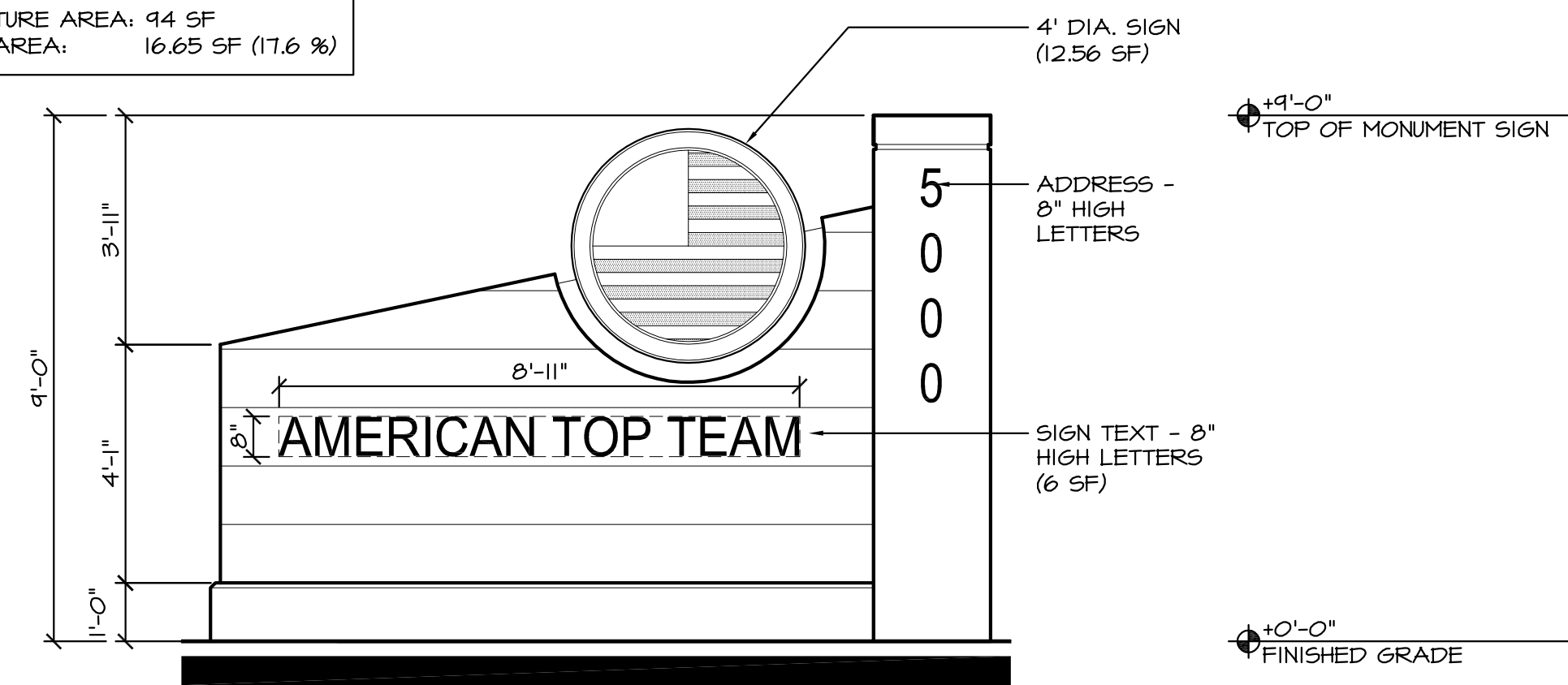
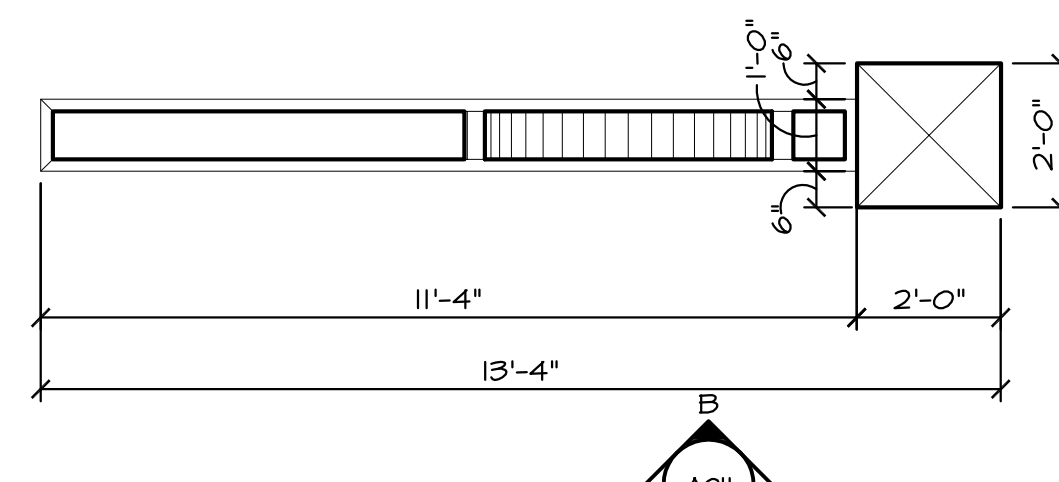


SIGN STRUCTURE AREA: 94 SF
SIGN FACE AREA: 16.65 SF (17.6 %)



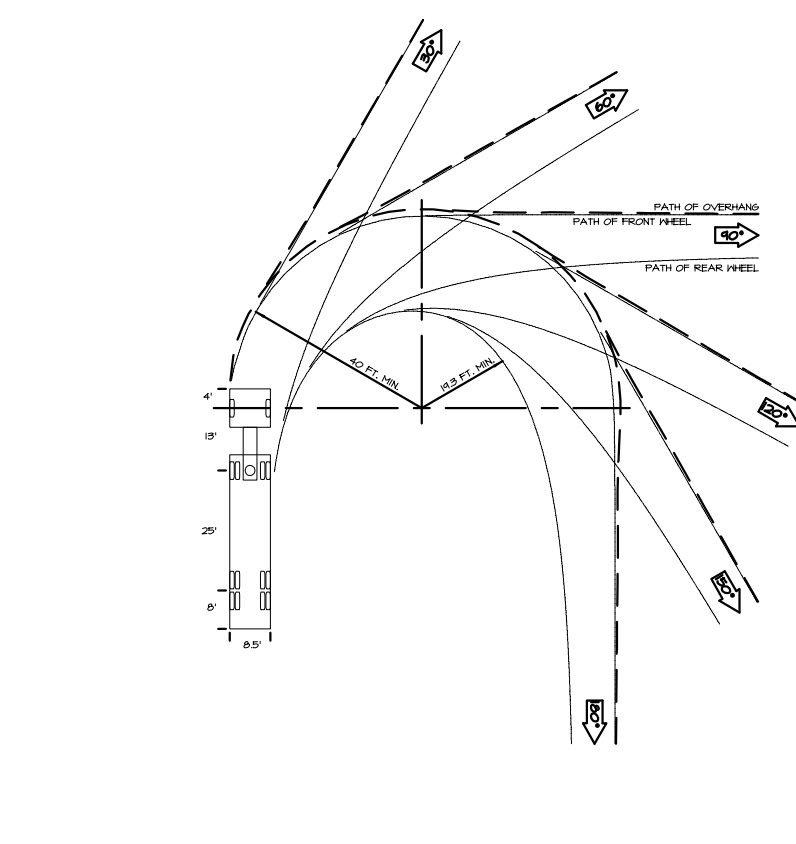
MONUMENT SIGN ELEVATION - NORTH (MIRROR) AND SOUTH SIDE
3/8" = 1'-0"

B
A011



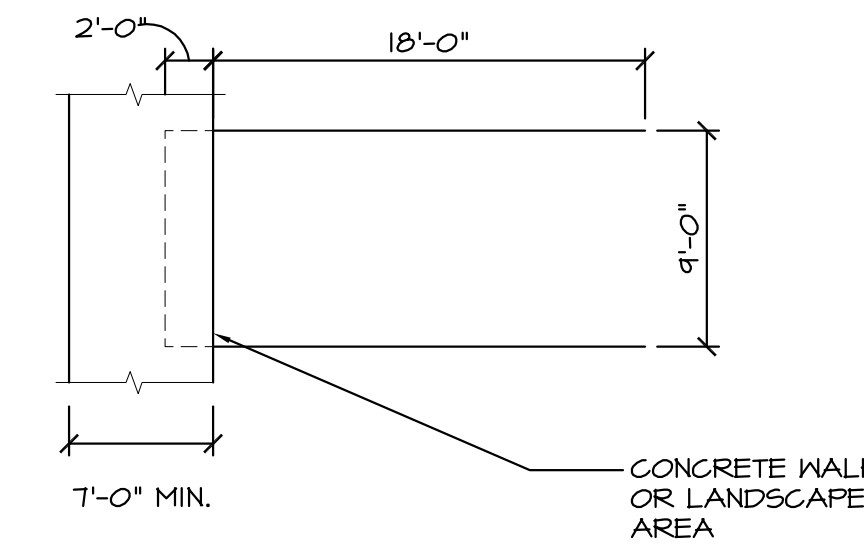
MONUMENT SIGN PLAN
3/8" = 1'-0"

A
A011



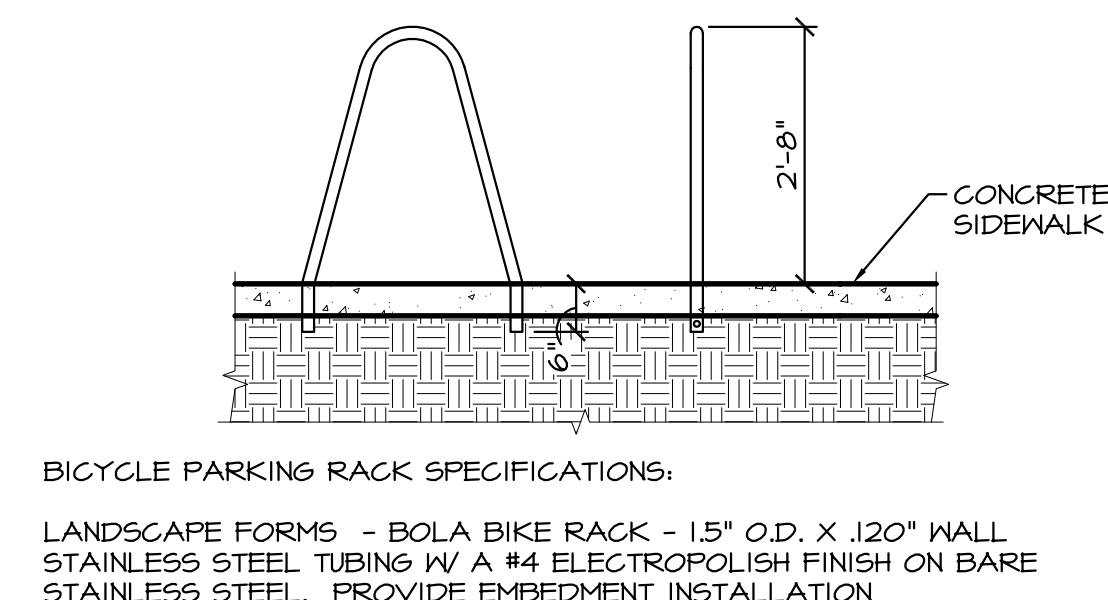
WB-40 TURNING TEMPLATE
1" = 40'-0"

B
A011

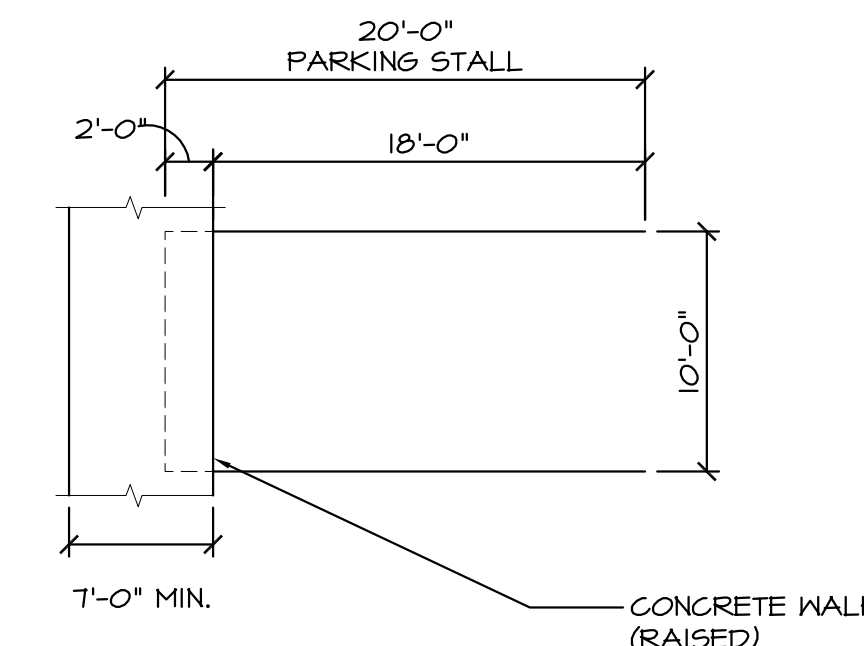


COMPACT PARKING STALL DETAIL
1/8" = 1'-0"

4
A011

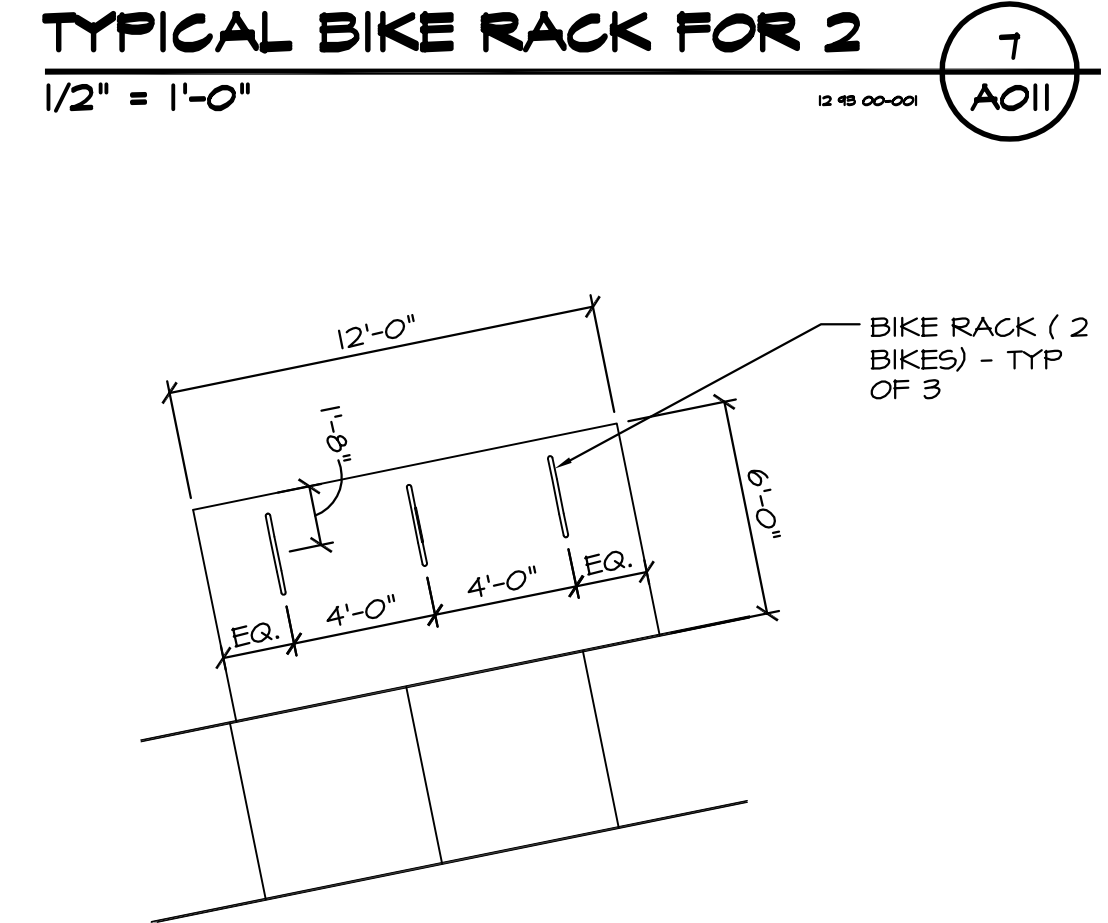


BICYCLE PARKING RACK SPECIFICATIONS:
LANDSCAPE FORMS - BOLA BIKE RACK - 1.5" O.D. X .120" WALL STAINLESS STEEL TUBING W/ A #4 ELECTROPOLISH FINISH ON BARE STAINLESS STEEL. PROVIDE EMBEDMENT INSTALLATION



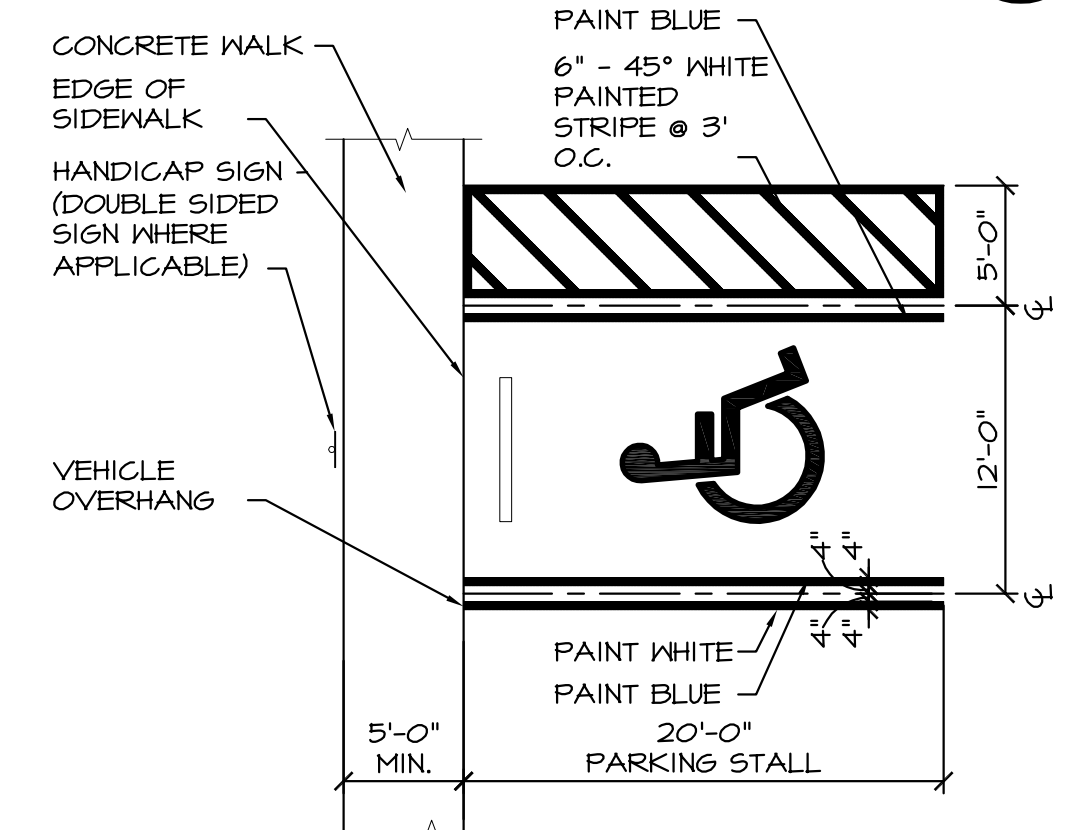
TYPICAL PARKING W/ SIDEWALK
1/8" = 1'-0"

3
A011



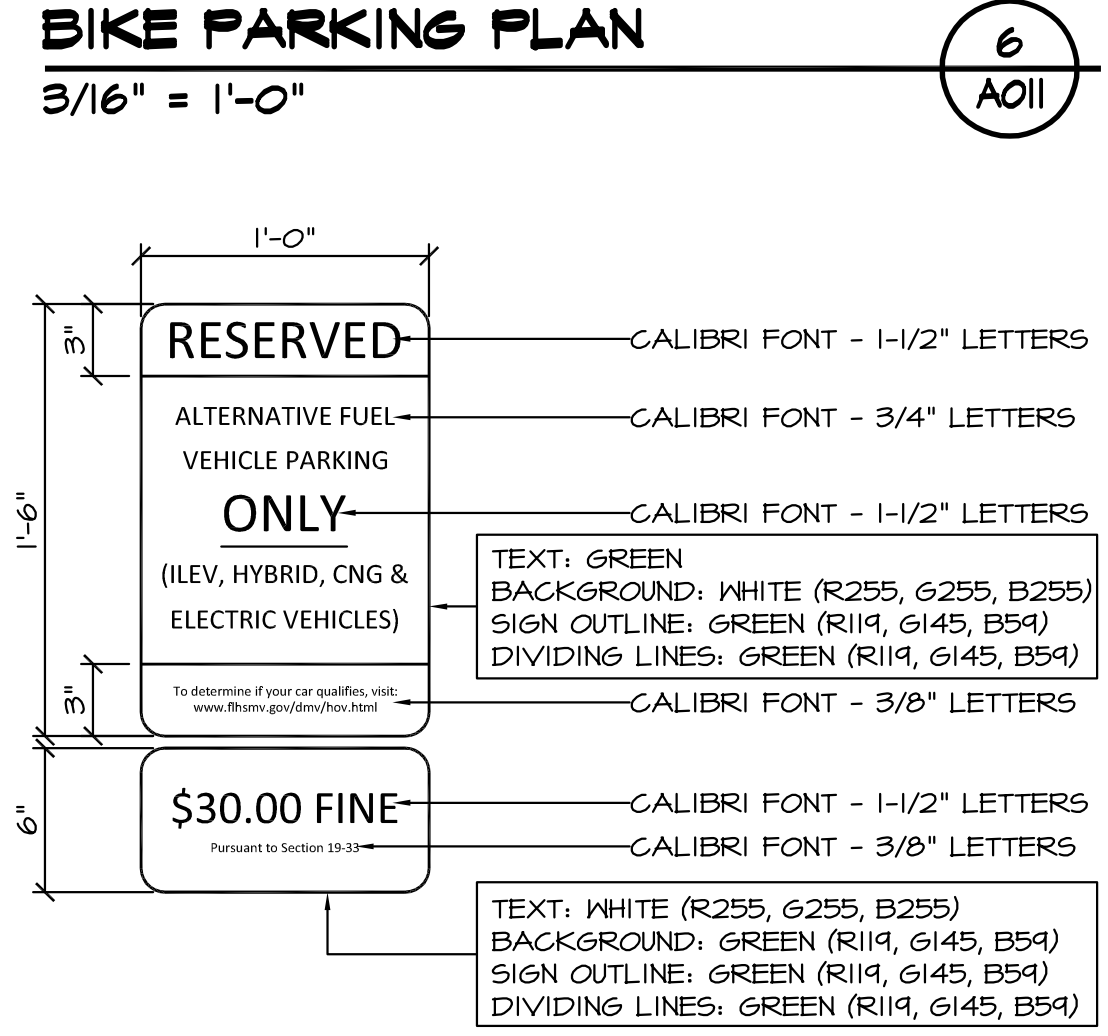
TYPICAL BIKE RACK FOR 2
1/2" = 1'-0"

7
A011



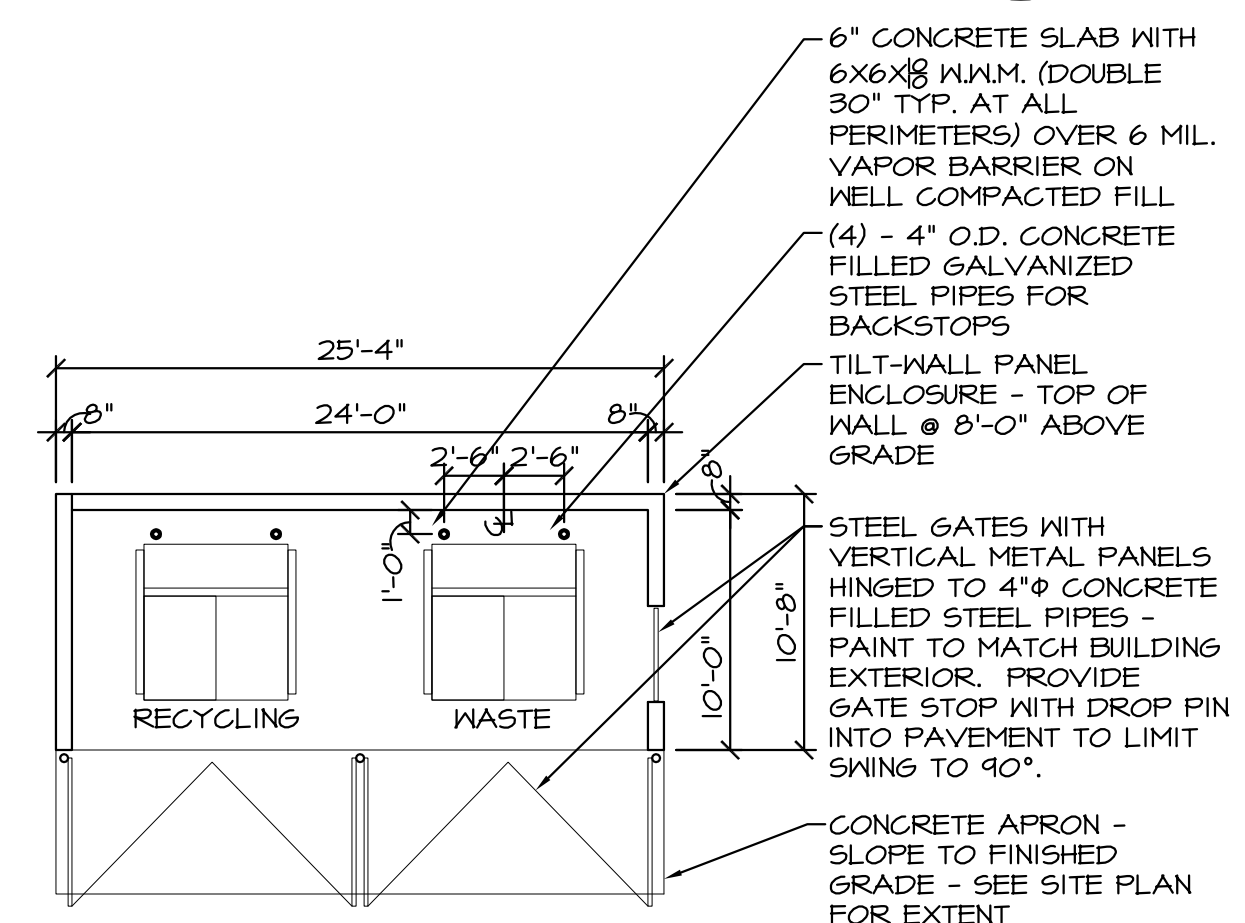
TYPICAL HANDICAP PARKING
1/8" = 1'-0"

2
A011



BIKE PARKING PLAN
3/16" = 1'-0"

6
A011



TYPICAL HANDICAP PARKING
1/8" = 1'-0"

1
A011

SIGN DETAIL - ALTERNATIVE FUEL VEHICLE PARKING
1/2" = 1'-0"

5
A011

DUMPSTER DETAIL
1/8" = 1'-0"

1
A011

revision:	13051
principal:	ERIC ANDERSON
project manager:	MF
file name:	3051-A010,1-SP
date:	01-28-14
title:	SITE DETAILS
sheet:	7 A