



A DRC SUBMITTAL FOR:
AMERICAN TOP TEAM

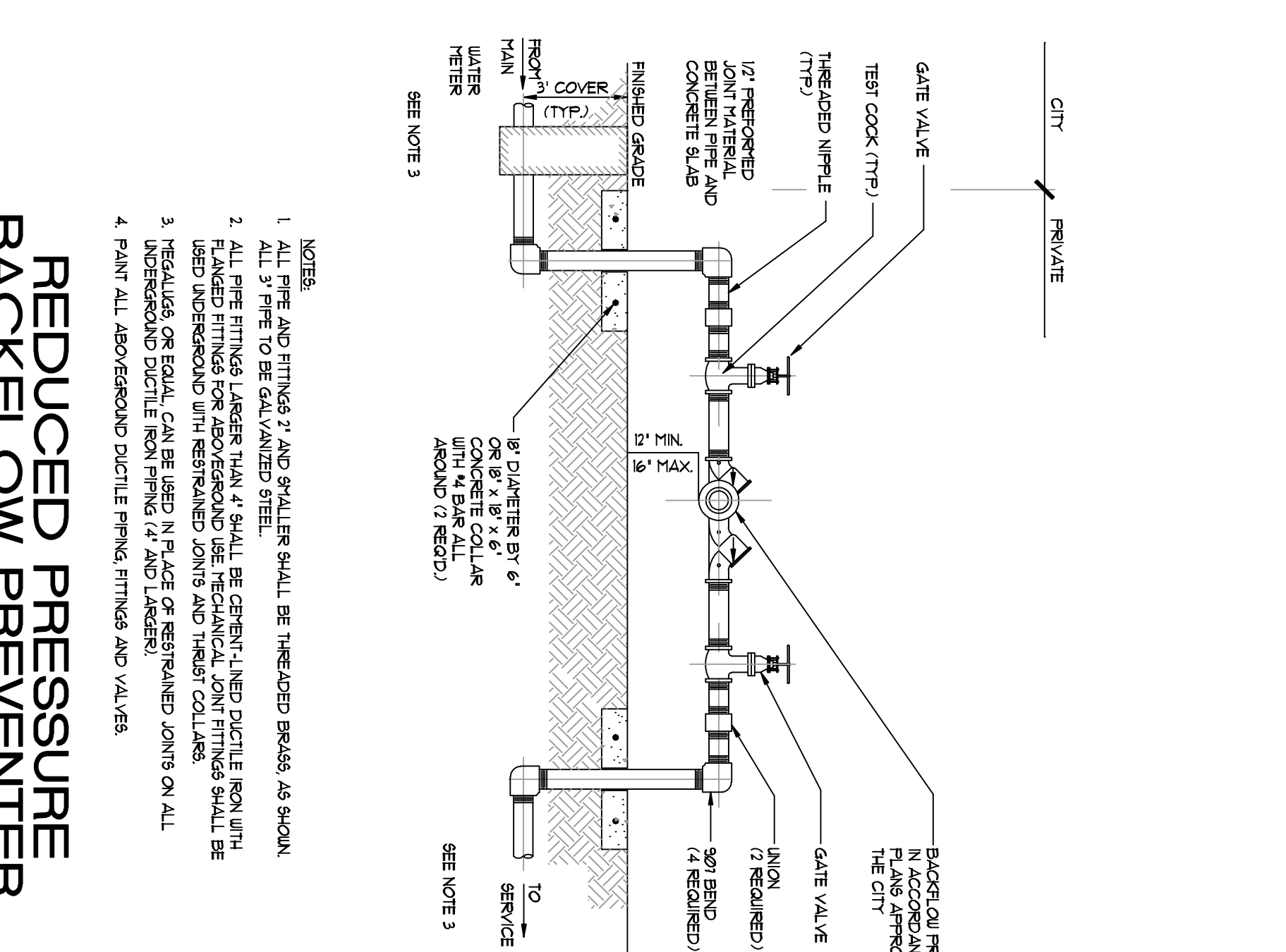
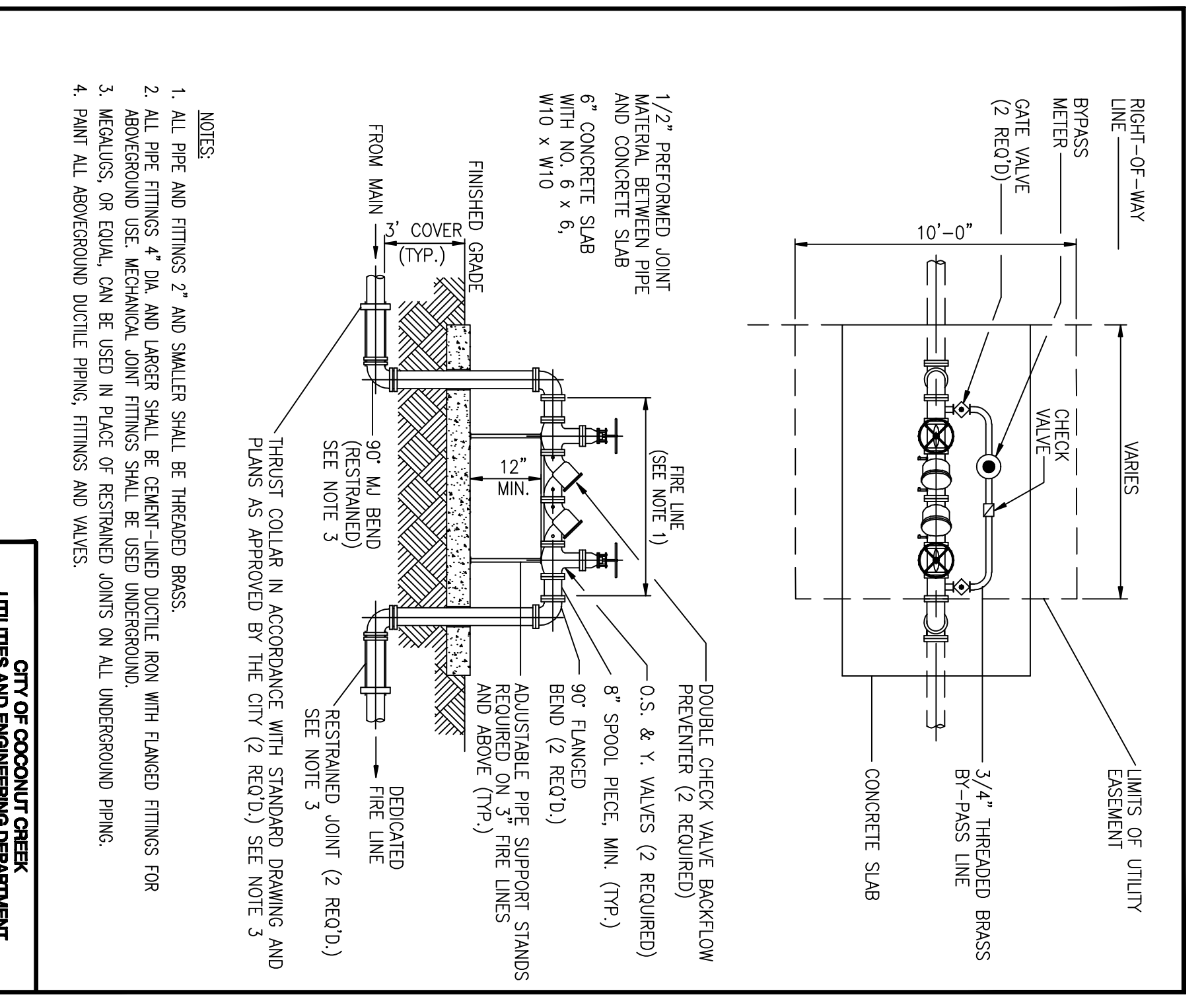
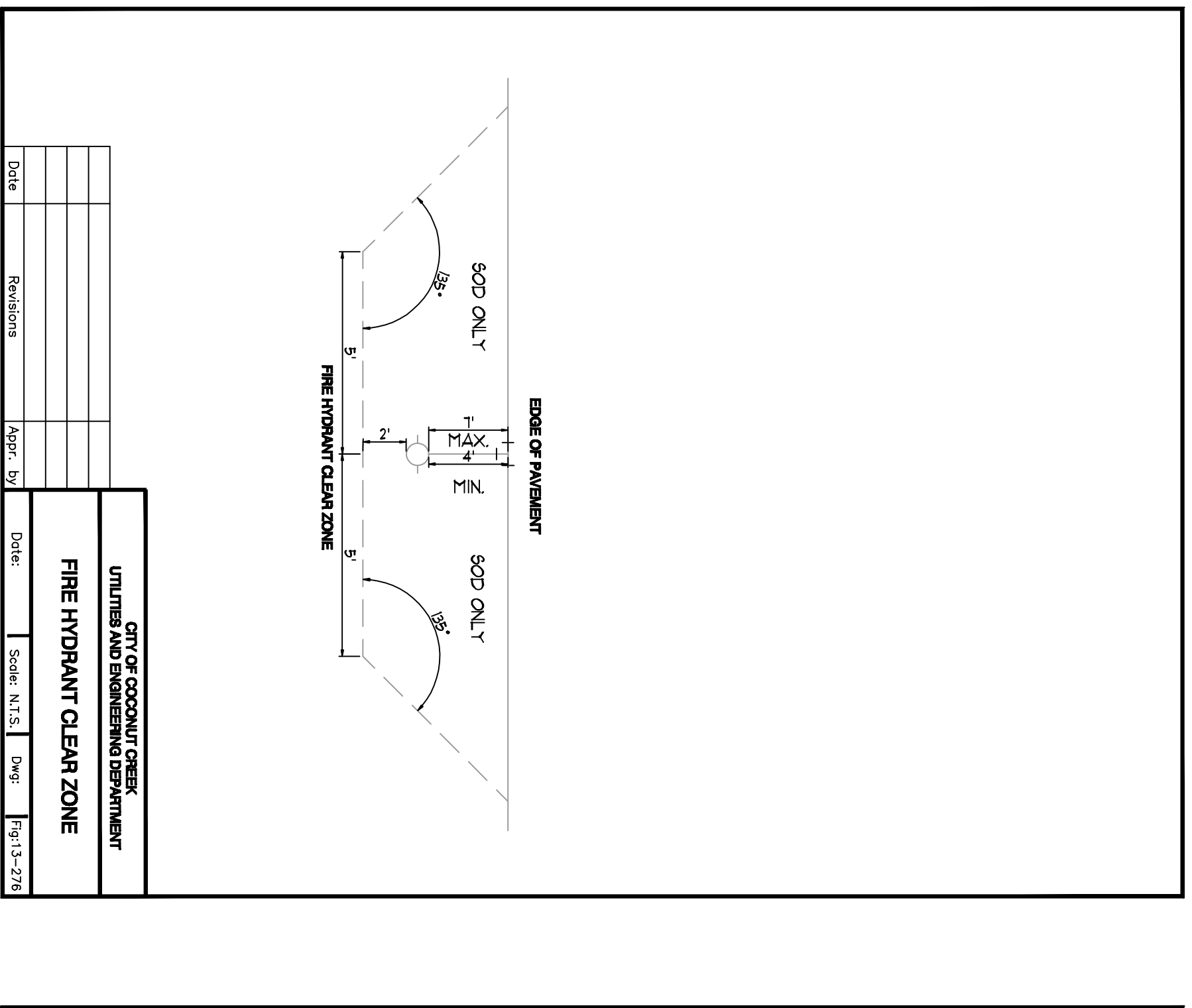
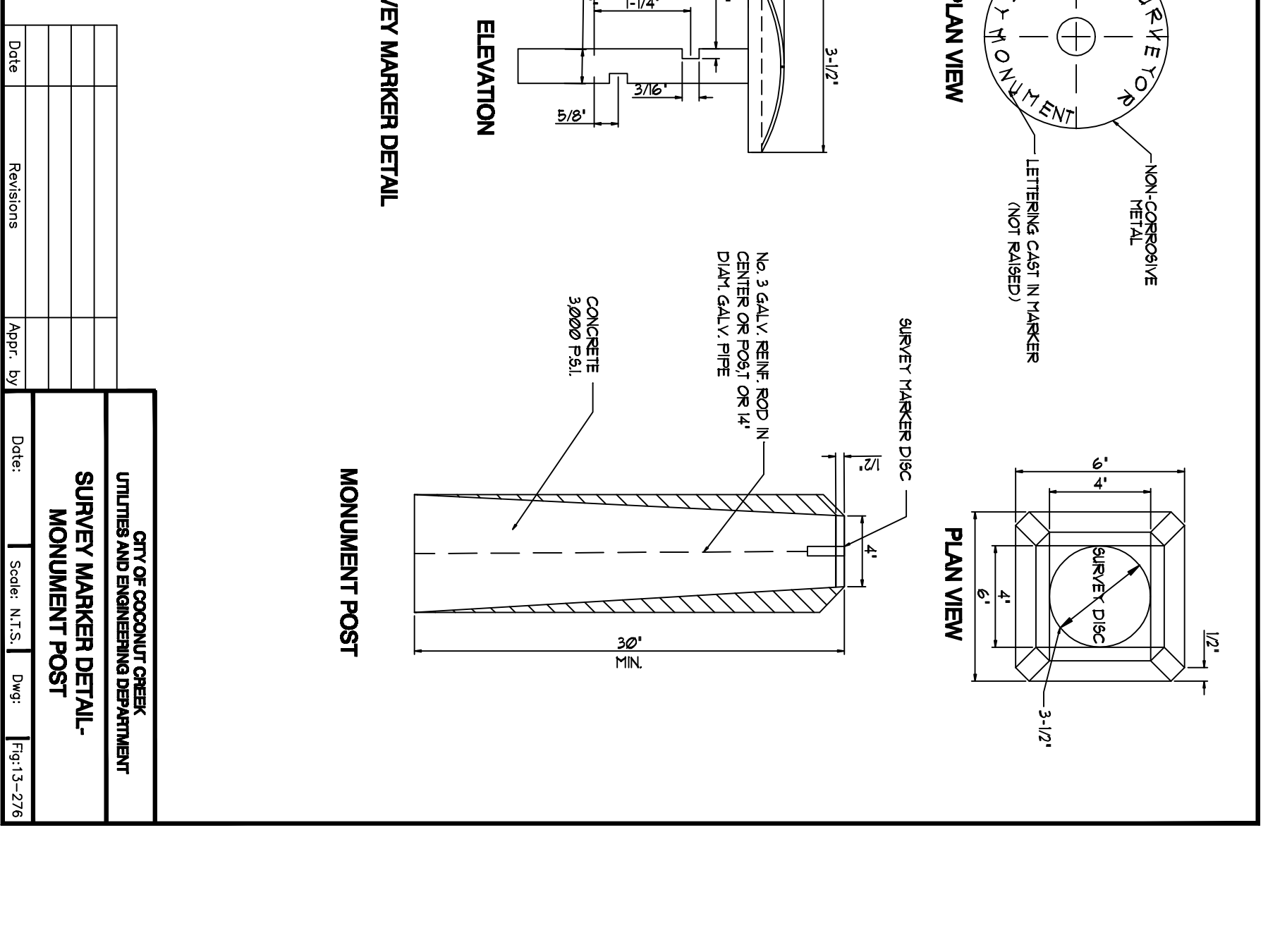
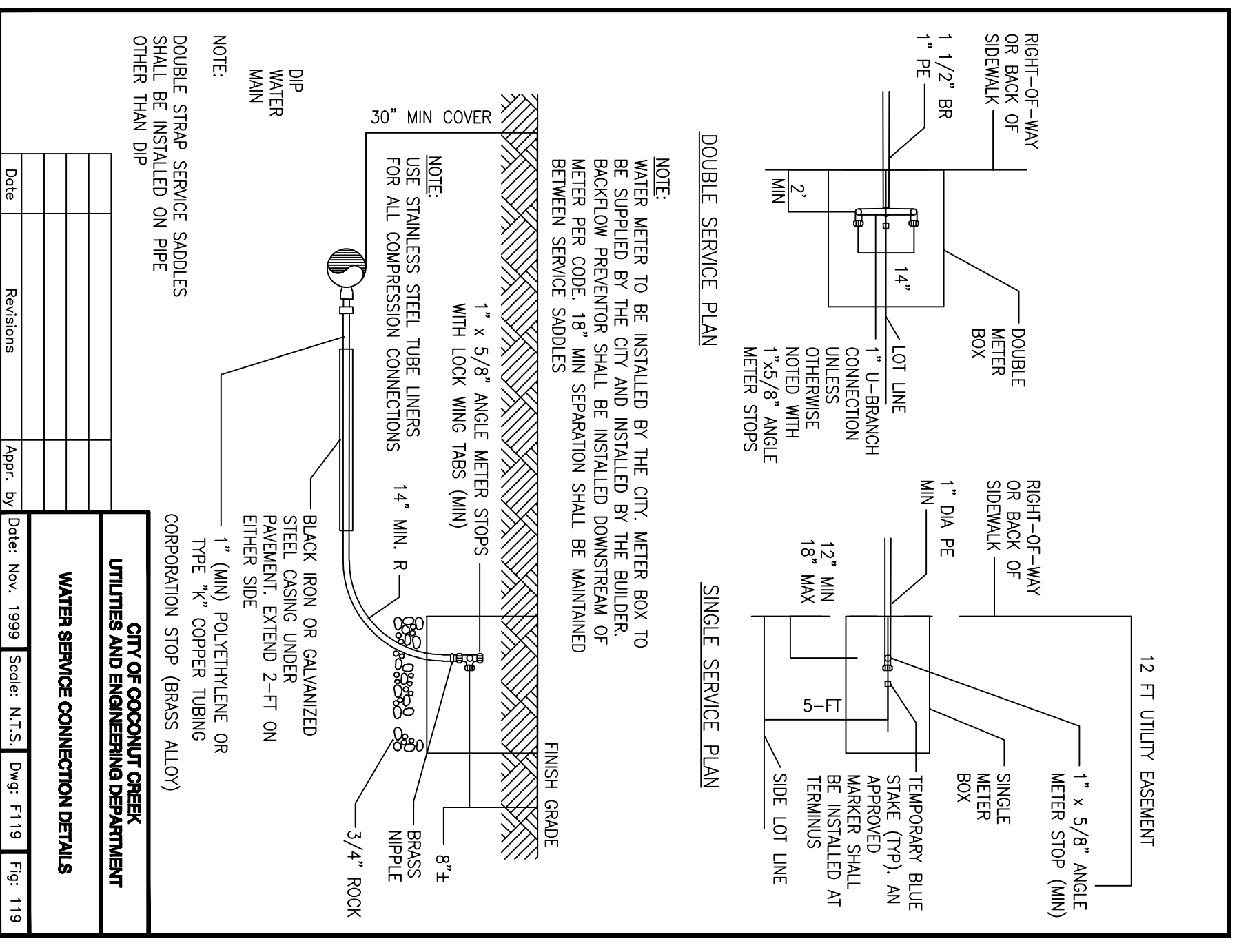
STATE ROAD 7 (US 441)
 COCONUT CREEK, BROWARD COUNTY, FLORIDA

revision:	
date:	
drawn by:	
checked by:	
approved by:	
date:	

01-28-14
 JOHNNY CAMERO
 JLO/FA

OUR JOB NO. 13-175
 01-28-14

**WATER + SEWER
 DETAILS**



**REDUCED PRESSURE
 BACKFLOW PREVENTER**

NOTE:

- ALL PIPE AND FITTINGS 2" AND SMALLER SHALL BE THREADED BRASS AS SHOWN.
- ALL PIPE FITTINGS LARGER THAN 2" SHALL BE GALVANIZED STEEL.
- ALL PIPE FITTINGS LARGER THAN 4" SHALL BE GERTM-LINED DUCTILE IRON WITH FLANGED FITTINGS FOR ABOVEGROUND USE MECHANICAL JOINT FITTINGS SHALL BE USED UNDERGROUND WITH RESTRAINED JOINTS AND THRUST COLLARS.
- HEADLASS OR EQUAL, CAN BE USED IN PLACE OF RESTRAINED JOINTS ON ALL UNDERGROUND DUCTILE IRON PIPING (4" AND LARGER).
- PAINT ALL ABOVEGROUND DUCTILE IRON PIPING, FITTINGS AND VALVES.

NOTE:

- ALL PIPE AND FITTINGS 2" AND SMALLER SHALL BE THREADED BRASS AS SHOWN.
- ALL PIPE FITTINGS LARGER THAN 4" SHALL BE GERTM-LINED DUCTILE IRON WITH FLANGED FITTINGS FOR ABOVEGROUND USE MECHANICAL JOINT FITTINGS SHALL BE USED UNDERGROUND WITH RESTRAINED JOINTS AND THRUST COLLARS.
- HEADLASS OR EQUAL, CAN BE USED IN PLACE OF RESTRAINED JOINTS ON ALL UNDERGROUND DUCTILE IRON PIPING (4" AND LARGER).
- PAINT ALL ABOVEGROUND DUCTILE IRON PIPING, FITTINGS AND VALVES.