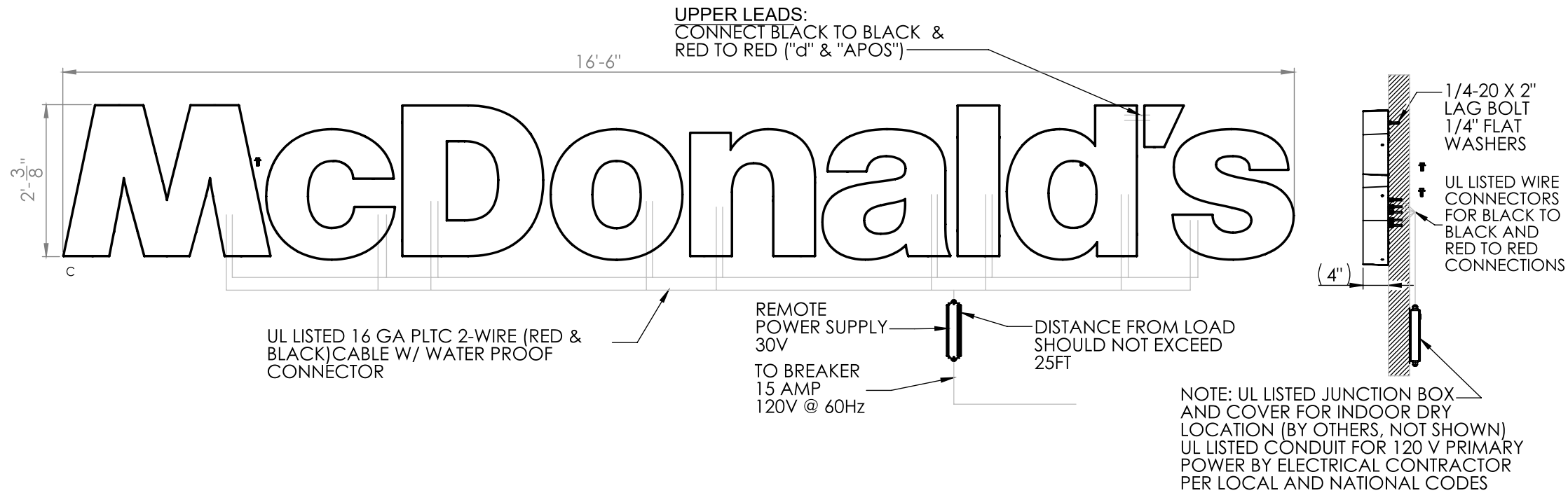


WALL MOUNT INSTALLATION DETAIL

D



33.5 TOTAL SQ. FT.

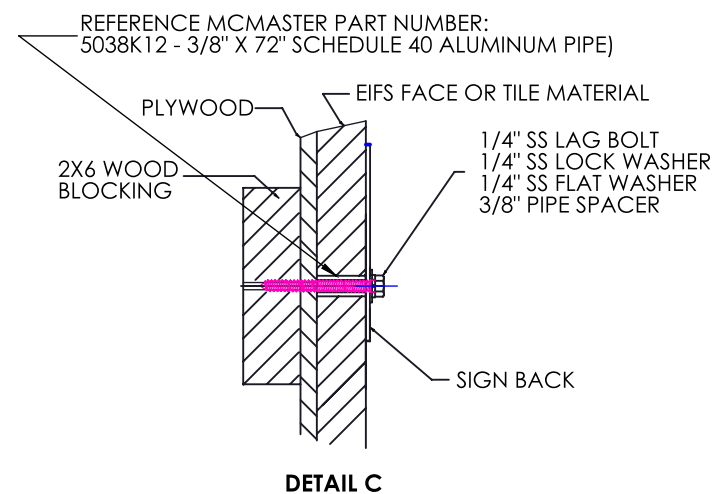
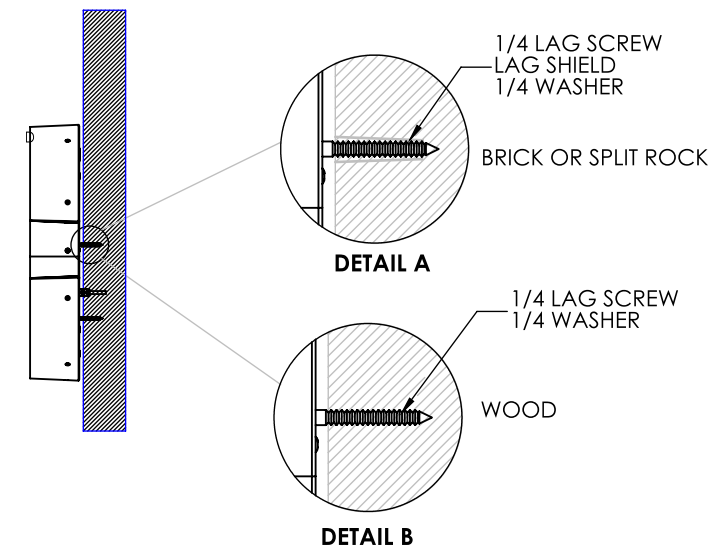
ELECTRICAL TO USE U.L. LISTED COMPONENTS AND SHALL MEET N.E.C. STANDARDS

ELECTRIC SIGN

WIND LOAD CRITERIA: 2010 F.B.C., 160 MPH Ultimate wind speed - exposure "D" Risk Category 1 Per ASCE 7-10. All fasteners and other metal in contact with aluminum shall be stainless steel or hot dip galv.

ELECTRICAL NOTES ILLUMINATED CABINETS

- Primary wire size - #12 THWN
- Disconnect switch - at base of sign, 20 amp single pole, timeclock at panel room
- Maximum load - 16 amps 120 volts per circuit maximum circuit size 20 amps per NEC 600-6A
- Ballast - Universal H.O. or equiv.
- Lamps - G.E. High output daylight or equiv. sizes vary with cabinet dimensions
- Sockets - Kulka 5843 H.O. or equiv.
- Conduit - minimum 1/2"
- Total sign load - 1.3 amps max 120 volts
- Total sign circuits - (1)15 amp required
- All components shall be U.L. approved
- Ballasts shall have independent U.L. approval (fused where required)
- All installations shall be in compliance with N.E.C. and state, county, or local codes
- All signs shall be bonded to building equipment bonding conductor per N.E.C. 250



McDonald's

Regency Lakes
6440 N. State Road 7
Coconut Creek, FL 33073

Kemp Signs inc.

1767 Hill Ave.
West Palm Beach, Fl. 33407
561-840-6382 fax 561-840-6385

ALBERT A. GARGIULO, P.E.
CONSULTING ENGINEER
Lic. No. PE 32582
324 SUNSET RD.
WEST PALM BEACH, FL. 33401
561-686-5554