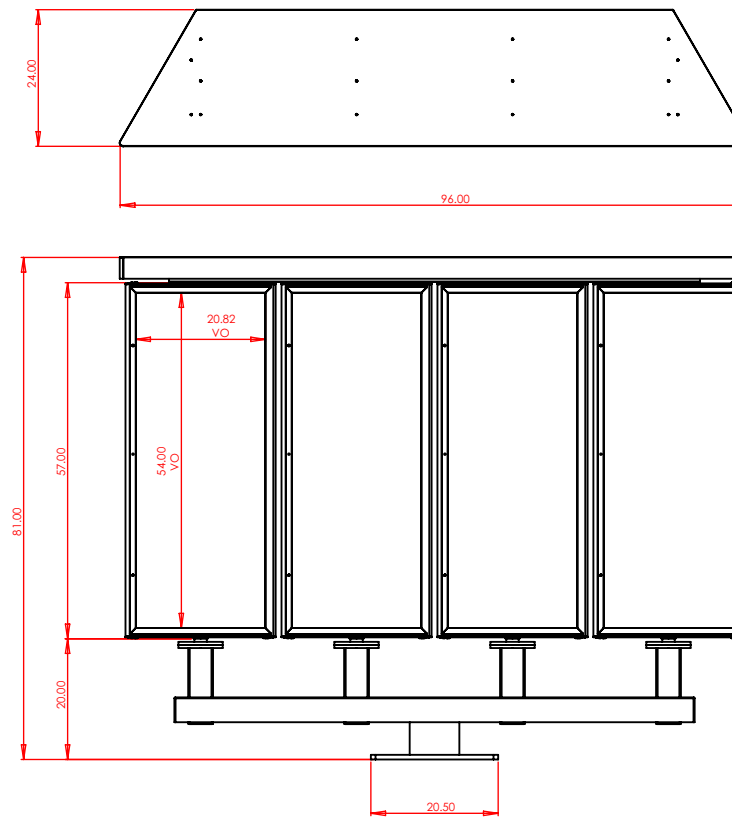


IJ

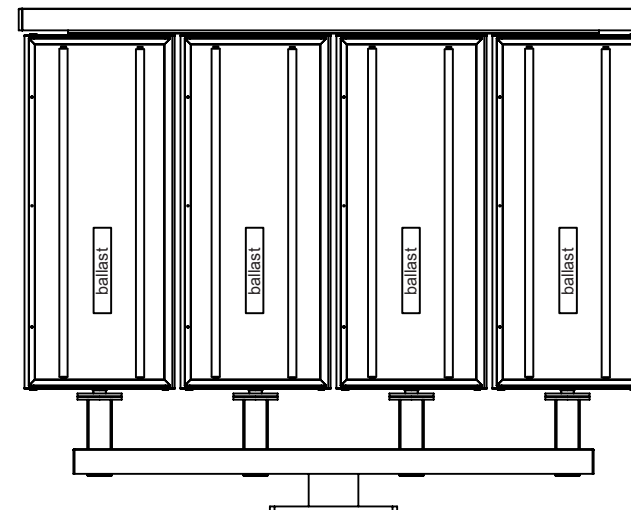
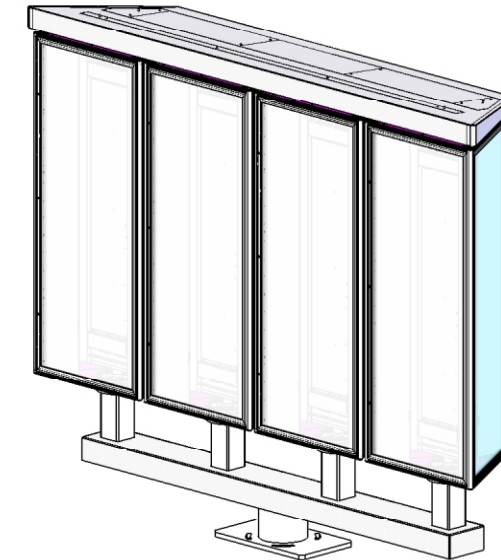
MENUBOARD - NEW OPF



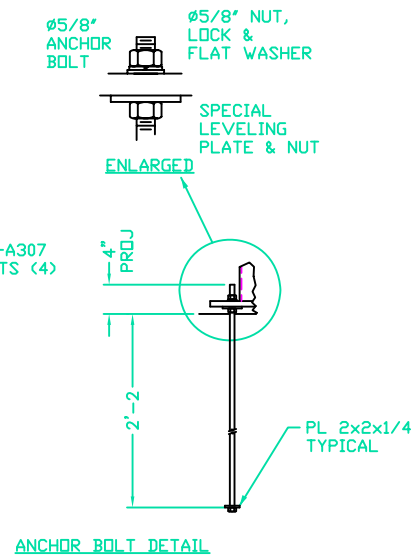
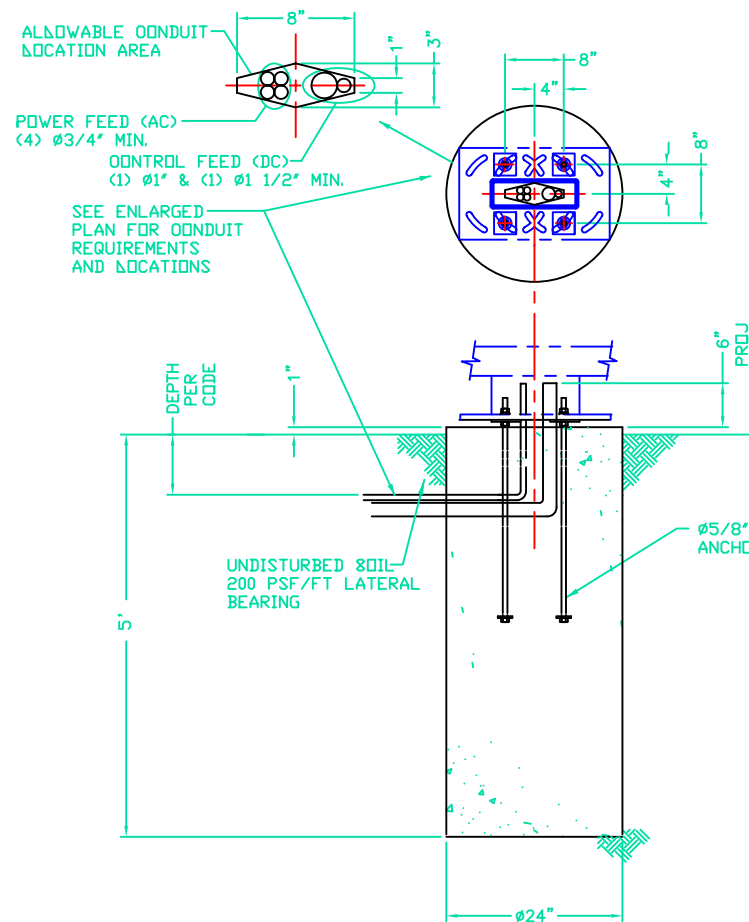
** Minimum 2" border of empty space surrounding all sides**



ELECTRICAL TO USE U.L. LISTED COMPONENTS AND SHALL MEET N.E.C. STANDARDS
UL Underwriters Laboratories Inc. LISTED
ELECTRIC SIGN



ELECTRICAL SPECIFICATIONS:
ILLUMINATED SQ FT: 31.5



ELECTRICAL TO USE U.L. LISTED COMPONENTS AND SHALL MEET N.E.C. STANDARDS
UL Underwriters Laboratories Inc. LISTED
ELECTRIC SIGN

SOIL STATEMENT
 Visual inspection indicates 2,000 P.S.F. for which footings are designed. If a bearing capacity of less than 2,000 P.S.F. is encountered at site, the engineer should be notified before proceeding with work.

WIND LOAD CRITERIA: 2010 F.B.C., 160 MPH Ultimate wind speed - exposure "D" Risk Category 1 Per ASCE 7-10. All fasteners and other metal in contact with aluminum shall be stainless steel or hot dip galv.

ELECTRICAL NOTES ILLUMINATED CABINETS
 Primary wire size - #12 THWN
 Disconnect switch - at base of sign, 20 amp single pole, timeclock at panel room
 Maximum load - 16 amps 120 volts per circuit maximum circuit size 20 amps per NEC 600-6A
 Ballast - Universal H.O. or equiv.
 Lamps - G.E. High output daylight or equiv. sizes vary with cabinet dimensions
 Sockets - Kulka 5843 H.O. or equiv.
 Conduit - minimum 1/2"
 Total sign load - 20 amps 120 volts
 Total sign circuits - 2
 All components shall be U.L. approved
 Ballasts shall have independent U.L. approval (fused where required)
 All installations shall be in compliance with N.E.C. and state, county, or local codes
 All signs shall be bonded to building equipment bonding conductor per N.E.C. 250

McDonald's

Regency Lakes
 6440 N. State Road 7
 Coconut Creek, FL 33073

Kemp Signs inc.
 1767 Hill Ave.
 West Palm Beach, Fl. 33407
 561-840-6382 fax 561-840-6385

ALBERT A. GARGIULO, P.E.
 CONSULTING ENGINEER
 Lic. No. PE 32582
 324 SUNSET RD.
 WEST PALM BEACH, FL. 33401
 561-686-5554