

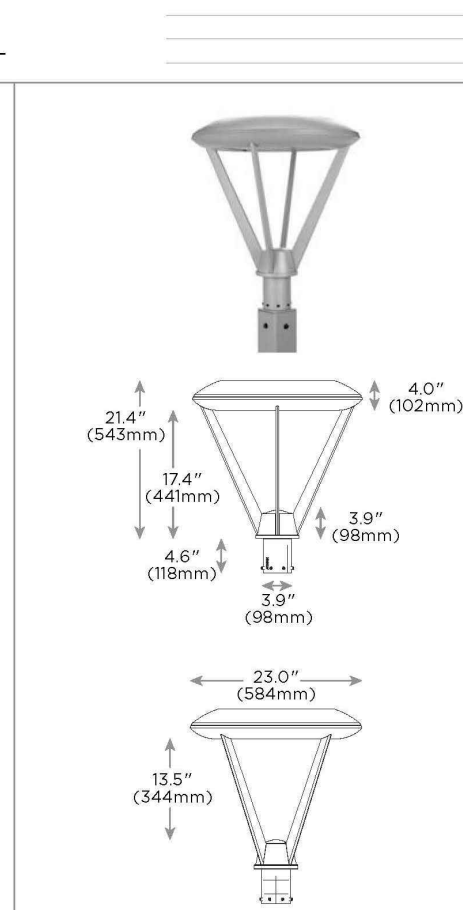
ARE-EDR-4MB/4MP-R3

Cree Edge™ Round Area Luminaire – Type IV Medium w/ Backlight Control – Spider Mount, Center Tension

Product Description
Slim, low profile design minimizes wind load requirements. Luminaire sides are rugged cast aluminum with integral, weatherlight LED driver compartments, spun vented cover and high performance aluminum heat sinks. Post top mounting consists of four precision machined, extruded aluminum arms mounted to weatherlight cast lower hub with center tension adaptor and is designed to slip-fit over a 2.375" (60mm) Ø to 3" (76mm) Ø, steel or aluminum tenon or pole and secures to tenon with four set screws.

Performance Summary
Utilizes BetaLED™ Technology
Patented NanoOptic® Product Technology
Made in the U.S.A. and imported parts
CRI: Minimum 70 CRI
CCT: 5700K (+/- 500K) Standard, 4000K (+/- 300K)
Limited Warranty*: 10 years on luminaire / 10 years on Colorfast DeltaGuard® finish
EPA and Weight: Reference EPA and Weight spec sheet

Accessories
Field Installed Accessories
XA-SRDSPK
Bird Spikes



Ordering Information

Example: ARE-EDR-4MB-R3-04-E-UL-SV-350-OPTIONS

Product	Optic	Mounting	LED Count (x10)	Series	Voltage	Color Options	Driver Current	Options
ARE-EDR	4MB	IS	04	E	18	SV	350mA	40K 4000K Color Temperature Color temperature and per luminaire SWS 4-20V Dimming Colorfast DeltaGuard F Recess H, M / Low (57/350/125 Dual Circuit Input) P Photocell IL Two-Level (DS/152 w/ Integrated Sensor Control) IL2 Two-Level (D/150 w/ Integrated Sensor Control) IL3 Two-Level (D/125 w/ Integrated Sensor Control)

* See manufacturer's literature for details.
* Consists of multiple 25 LED light bars. 40, 60, 80, and 100 LED with use blanks as needed in place of populated light bars.
* Available on luminaires with 40-100 LEDs.
** Must specify voltage other than 5A, 12, or 18.

BetaLED TECHNOLOGY
UL US
DLC
www.cree.com/lighting T (800) 236-6800 F (262) 504-5415

Rev. Date: 09/24/13



FIXTURE TYPE "SB" POST TOP MOUNTED AT 12' AND 18' A.F.F.

ARE-EDR-4MB/4MP-R3

Product Specifications

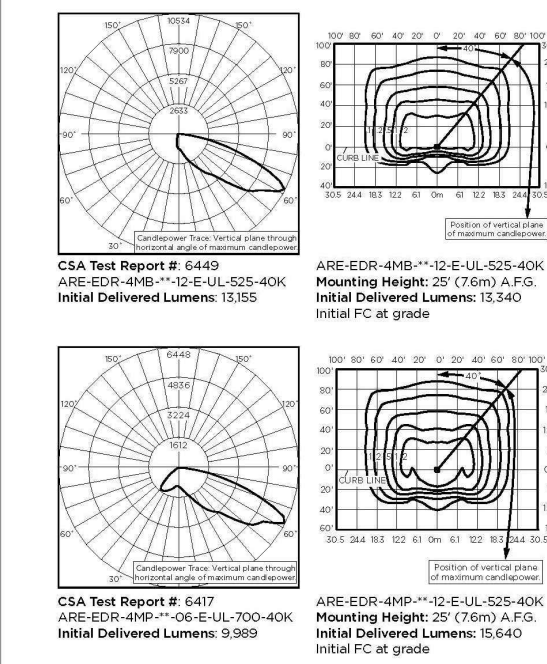
CONSTRUCTION & MATERIALS
• Slim, low profile, minimizing wind load requirements
• Luminaire sides are rugged die cast aluminum with integral, weatherlight LED driver compartments, spun vented cover and high performance aluminum heat sinks
• Post top mounting consists of four precision machined, extruded aluminum arms mounted to weatherlight cast lower hub with center tension adaptor and is designed to slip-fit over a 2.375" (60mm) Ø to 3" (76mm) Ø, steel or aluminum tenon or pole and secures to tenon with four set screws

ELECTRICAL SYSTEM
• Input Voltage: 120-277V or 347-480V, 50 / 60Hz, Class 1 drivers
• Power Factor: > 0.9 at full load
• Total Harmonic Distortion: < 20% at full load
• Integral weatherlight electrical box with terminal strips (20a-20a) for easy cover hookup
• Integral 1kV surge suppression protection standard
• To address inrush current, slow blow fuse or type C / D breaker should be used

REGULATORY & VOLUNTARY QUALIFICATIONS
• UL Listed
• Suitable for wet locations
• Enclosure rated IP66 per IEC 60529 when ordered without or option
• Consult factory for CE Certified products
• 1kV surge suppression protection tested in accordance with IEEE / ANSI C82.42
• Luminaire and finish endurance tested to withstand 5000 hours of simulated ambient salt fog conditions as defined in ASTM Standard D 117
• Product qualified on the DesignLights Consortium™ (DLC) Qualified Products List ("QPL") when ordered without full backlight control shield
• Meets Buy American requirements within ARRA

Photometry

All published Luminaire photometric testing performed to IESNA LM-79-09 standards by a NVLAP certified laboratory.



IES File
To obtain an IES file specific to your project, contact:
http://www.cree.com/lighting/tech-and-support/Reference-configuration-tool

Lumen Output, Electrical, and Lumen Maintenance Data

LED Count (x10)	Type IV Medium Distribution w/ BLS										5A Non-Prequalified Reference Case # S/C CR 172**	
	18V	24V	30V	36V	42V	48V	54V	60V	66V	72V		
40	1000	1000	1000	1000	1000	1000	1000	1000	1000	1000	1000	90%
60	1500	1500	1500	1500	1500	1500	1500	1500	1500	1500	1500	92%
80	2000	2000	2000	2000	2000	2000	2000	2000	2000	2000	2000	90%

© 2013 Cree, Inc. All rights reserved. For informational purposes only. Content is subject to change. See www.cree.com/products for additional detail cover these products. Cree, the Cree logo, BetaLED, NanoOptic, the BetaLED Technology logo, and Colorfast DeltaGuard are registered trademarks, and Cree Edge™ is a trademark of Cree, Inc. The UL logo is a registered trademark of UL LLC, DesignLights Consortium™ and the DLC QPL logo are trademarks of Northeast Energy Efficiency Partnerships, Inc.
www.cree.com/lighting T (800) 236-6800 F (262) 504-5415



Cree Edge™ Series

LED Area/Flood Luminaire

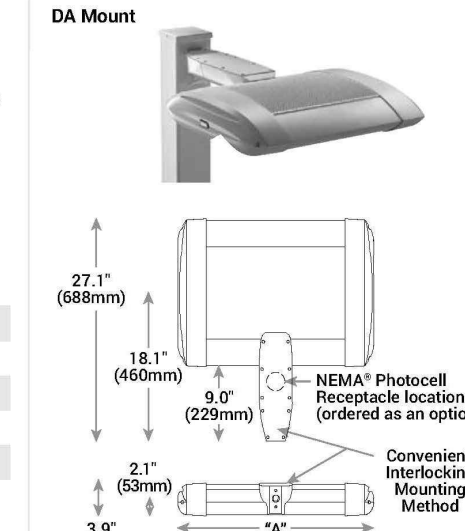
Product Description
The Cree Edge Series has a slim, low profile design. Its rugged cast aluminum housing minimizes wind load requirements and features an integral, weatherlight LED driver compartment and high performance aluminum heat sinks. Various mounting choices: Adjustable Arm, Direct Arm, Direct Arm Long, Splice or Side Arm (details on page 12). Includes a half-floater guard.
Applications: Parking lots, walkways, campuses, car dealerships, office complexes, and internal roadways

Performance Summary

Utilizes BetaLED™ Technology
Patented NanoOptic® Product Technology
Made in the U.S.A. and imported parts
CRI: Minimum 70 CRI
CCT: 4000K (+/- 300K), 5700K (+/- 500K) standard
Limited Warranty*: 10 years on luminaire/10 years on Colorfast DeltaGuard® finish
* See www.cree.com/lighting/tech-and-support for warranty terms

Accessories

Field Installed
Bird Spikes
Backlight Control Shields
Weather Resistant
XA-SRDSPK
Bird Spikes
For additional information of the programmable wall-butt option, a minimum of one foot of luminaire is required



LED Count (x10)	Dim. "X"	Weight
02	12.1" (308mm)	21 lb. (10kg)
04	12.1" (308mm)	24 lb. (11kg)
06	14.1" (358mm)	27 lb. (12kg)
08	16.1" (408mm)	28 lb. (13kg)
10	18.1" (458mm)	32 lb. (15kg)
12	20.1" (508mm)	34 lb. (15kg)
14	22.1" (558mm)	37 lb. (17kg)
16	24.1" (608mm)	41 lb. (19kg)
20	28.1" (713mm)	43 lb. (20kg)
24	32.1" (818mm)	48 lb. (22kg)

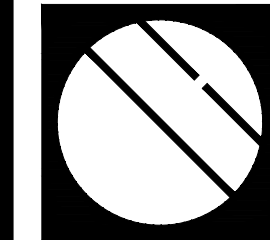
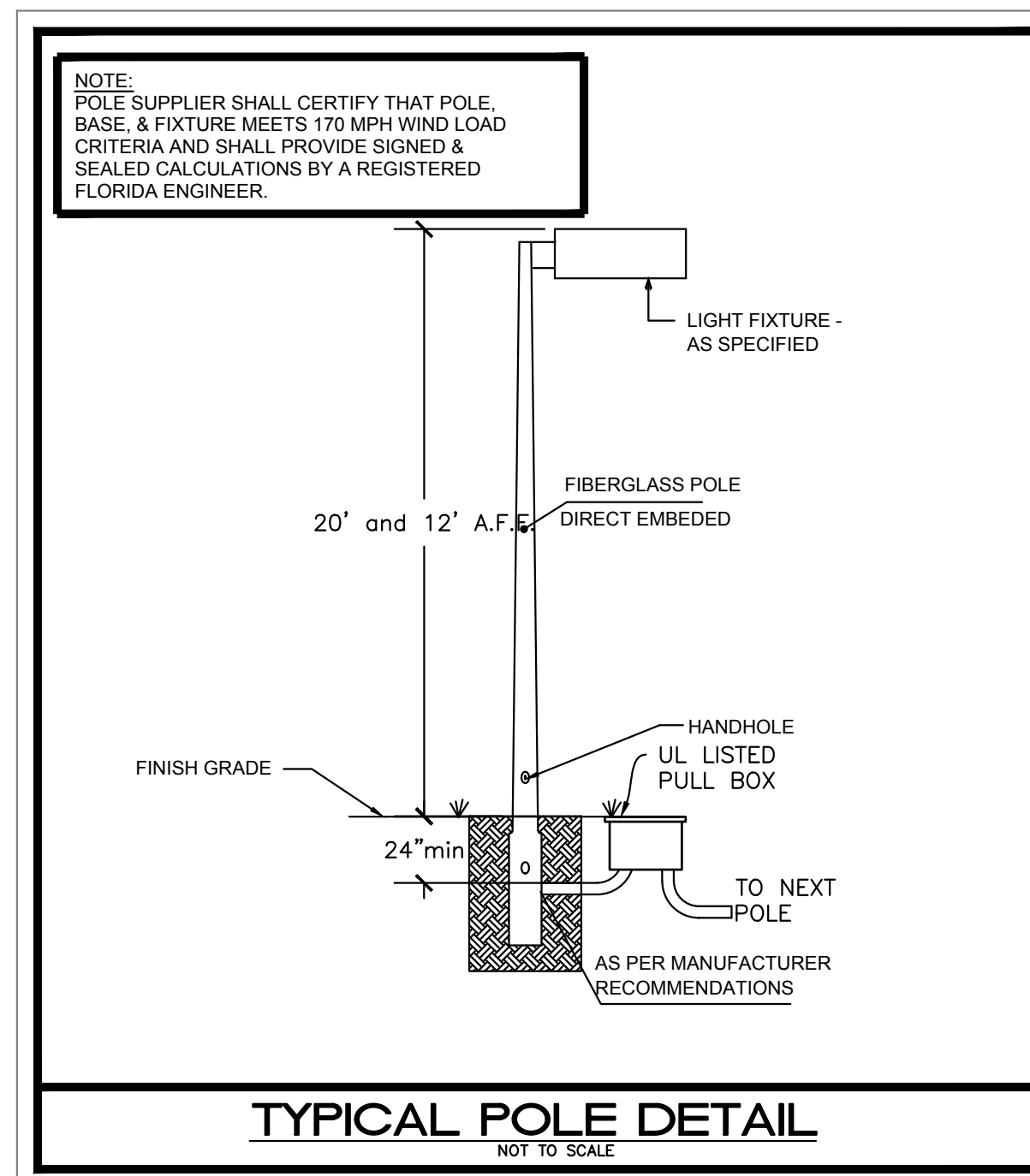
Ordering Information

Example: ARE-EDG-2M-AA-12-E-UL-SV-350

Product	Optic	Mounting	LED Count (x10)	Series	Voltage	Color Options	Driver Current	Options
ARE-EDG	15	2M	02	E	18	SV	350mA	40K 4000K Color Temperature Color temperature per luminaire SWS 4-20V Dimming Colorfast DeltaGuard F Recess H, M / Low (57/350/125 Dual Circuit Input) P Photocell IL Two-Level (DS/152 w/ Integrated Sensor Control) IL2 Two-Level (D/150 w/ Integrated Sensor Control) IL3 Two-Level (D/125 w/ Integrated Sensor Control)

* See manufacturer's literature for details.
* Consists of multiple 25 LED light bars. 40, 60, 80, and 100 LED with use blanks as needed in place of populated light bars.
* Available on luminaires with 40-100 LEDs.
** Must specify voltage other than 5A, 12, or 18.
www.cree.com/lighting T (800) 236-6800 F (262) 504-5415

FIXTURE TYPE "SA" MOUNTED AT 20' A.F.F.



Cotleur & Hearing

Landscape Architects
Land Planners
Environmental Consultants
1934 Commerce Lane
Suite 1
Jupiter, Florida 33458
561.747.6336 · Fax 747.1377
www.cotleurhearing.com
Lic# LC-C000239

CLARITY POINTE

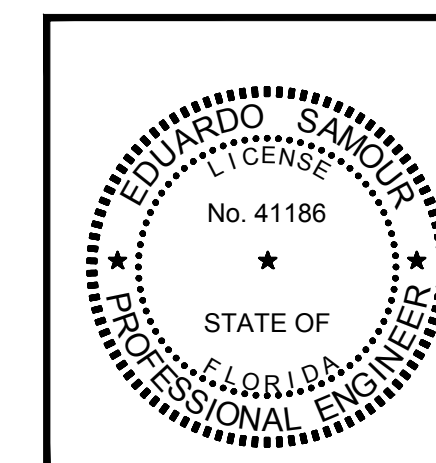
Coconut Creek, Florida

DESIGNED _____ ES
DRAWN _____ JH
APPROVED _____ ES
JOB NUMBER 15-10206.04
DATE 01-14-16
REVISIONS _____

January 14, 2016 10:11:38 a.m.
Drawing: CLARITY POINTE BASE.DWG

PHM-2
2 of 2

© COTLEUR & HEARING, INC.
These drawings are the property of the architect and are not to be used for extensions or other projects except by agreement in writing with the architect. Immediately report any discrepancies to the architect.



E & C Engineers, Inc.

Cert. of Auth # 26558
2755 Vista Parkway Suite 1-3
West Palm Beach, FL 33411
Tel (561) 712 1149
email: ed@ecengineers.com

Eduardo (Ed) Samour, P.E.
Registered Electrical Engineer
P.E. # 41186
Date: 5.2.2016