

Job:
 Type:
 Notes:



120 LINE LED

121 LED Performance Sconce - Generation 2

The Philips Gardco 121 LED Performance Sconce provides an energy efficient, architecturally pleasing solution for wall mount applications. The sloped surface ribs of the die cast aluminum housing create a distinctly unique aesthetic element, and perform important functions in the Philips Gardco thermal management system. 121 Generation 2 luminaires feature high performance Class 1 LED systems. The high performance LED optical systems produce full cutoff performance, minimizing glare and light trespass. Philips Gardco's LED technology provides maximized light output and maximum energy savings.



PREFIX	OPTICAL SYSTEM	LED WATTAGE	LED SELECTION	VOLTAGE	FINISH	OPTIONS
<input type="text"/>	<input type="text"/>	<input type="text"/>	<input type="text"/>	<input type="text"/>	<input type="text"/>	<input type="text"/>

Enter the order code into the appropriate box above. Note: Philips Gardco reserves the right to refuse a configuration. Not all combinations and configurations are valid. Refer to notes below for exclusions and limitations. For questions or concerns, please consult the factory.

PREFIX

121	121 LED Performance Sconce - Constant Wattage / Full Light Output
121-MR	121 LED Performance Sconce - Motion Response
121-DIM	121 LED Performance Sconce - 0 - 10V Dimming
121-APD	121 LED Performance Sconce - Automatic Profile Dimming

OPTICAL SYSTEM

2	Type 2	All optical systems are supplied with a clear glass lens standard. A Diffuse Lens (DL) option is available. See OPTIONS on Page 2.
3	Type 3	
4	Type 4	
MT	Medium Throw	

121-DCC 121 LED Performance Sconce - Dual Circuit Control

LED WATTAGE AND LUMEN VALUES

Single LED Array Wattages, Available in 121, 121-MR, 121-DIM and 121-APD Only

Ordering Code	Average System Watts ¹	LED Current (mA)	LED Quantity - Single LED Array	LED Selection	Luminaire Initial Absolute Lumens ²			
					TYPE 2	TYPE 3	TYPE 4	MT
18LA	18	350	16	NW	1,298 (s)	1,324 (s)	1,248 (s)	1,568 (s)
26LA	26	530	16	NW	1,817 (s)	1,849 (s)	1,745 (s)	2,178 (s)
35LA-700	36	700	16	NW	2,373 (s)	2,401 (s)	2,273 (s)	2,792 (s)
35LA-350	35	350	32	NW	2,596	2,647	2,496	3,135
50LA	52	530	32	NW	3,634	3,698	3,490	4,356
75LA	72	700	32	NW	4,745	4,801	4,546	5,584

Dual LED Array Wattages, Available in 121-DCC Only

Ordering Code	Average System Watts ¹	LED Current (mA)	LED Quantity - Dual LED Arrays		LED Selection	Luminaire Initial Absolute Lumens ³			
			Per LED Array	Total LEDs		TYPE 2	TYPE 3	TYPE 4	MT
50LA-2	52	530	16	32	NW	3,634	3,698	3,490	4,356
75LA-2	72	700	16	32	NW	4,745	4,801	4,546	5,584

1. Wattage may vary by +/- 8% due to LED manufacturer forward volt specification and ambient temperature. Wattage shown is average for 120V through 277V input. Actual wattage may vary by an additional +/- 10% due to actual input voltage.

2. Values shown are for luminaires without the DL option. Tests are in process for configurations not shown. "(s)" following the value indicates that values are scaled from tests on similar, but not identical luminaire configurations. Contact gardco.applications@philips.com if any approximate estimates are required for design purposes. Lumen values based on tests performed in compliance with IESNA LM-79.

1611 Clovis Barker Road, San Marcos, TX 78666
 (800) 227-0758 (512) 753-1000 FAX: (512) 753-7855 sitelighting.com

© 2012 Koninklijke Philips Electronics N.V. All Rights Reserved.

Philips Gardco reserves the right to change materials or modify the design of its product without notification as part of the company's continuing product improvement program.

G200-037/1012

PHILIPS





120 LINE LED

121 LED Performance Sconce - Generation 2

LED SELECTION

CW	Cool White - 5700°K - 75 CRI Nominal
NW	Neutral White - 4000°K - 70 CRI Nominal
WW	Warm White - 3000°K - 80 CRI Nominal

VOLTAGE

UNIV	Accepts 120V through 277V input, 50hz to 60hz.
347	347V - Requires Extended Back Box, which is provided standard. Requires and includes auxilliary transformer mounted in Extended Back Box.

FINISH

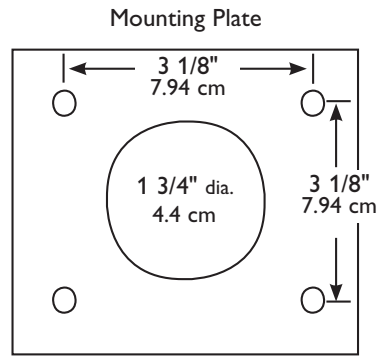
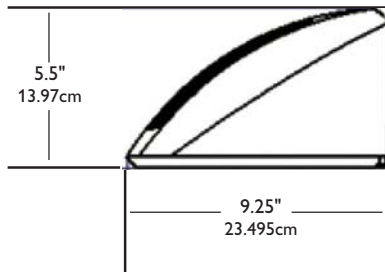
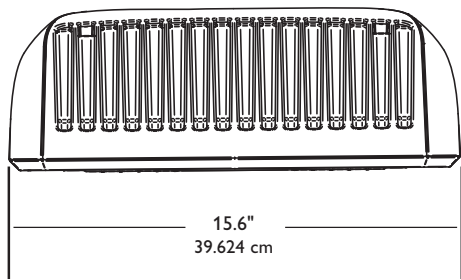
BRP	Bronze Paint
BLP	Black Paint
WP	White Paint
NP	Natural Aluminum Paint
BGP	Beige Paint
OC	Optional Color Paint Specify Optional Color or RAL ex: OC-LGP or OC-RAL7024.
SC	Special Paint Specify. Must supply color chip.

OPTIONS

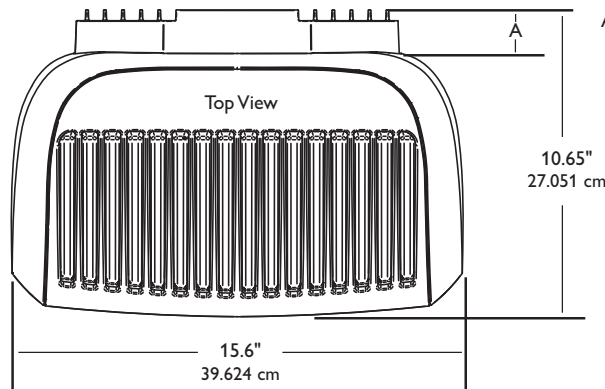
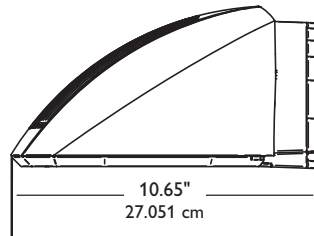
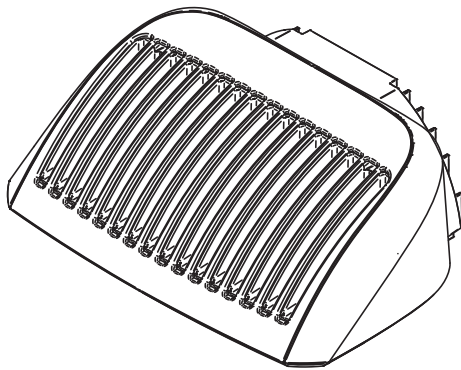
F	Fusing (Provide specific input voltage)
DL	Solite® Diffusing Glass Lens (Reduces performance significantly.)
PCB	Button Type Photocontrol (Provide specific input voltage)
WS	Wall Mounted Box for Surface Conduit (Rear entry permitted.)
EBB	Extended Back Box (Provided standard with 347V luminaires.)
SPR³	Surge Protection 120V thru 277V Input meeting ANSI C62.41. 2
SPRH³	Surge Protection 347V thru 480V Input meeting ANSI C62.41. 2

3. Not available with Fusing (F) option.
DCC luminaires require one (1) surge protector per circuit.

DIMENSIONS



With Extended Back Box (EBB) Option



Mounting Bolt Pattern

Note: Mounting plate center is located in the center of the luminaire width and 2.38" (6.03cm) above the luminaire bottom (lens down position). Splices must be made in the J-box (by others). Mounting plate must be secured by max. 5/16" (.79cm) diameter bolts (by others) structurally to the wall.

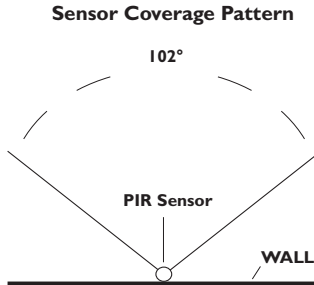




LUMINAIRE CONFIGURATION INFORMATION

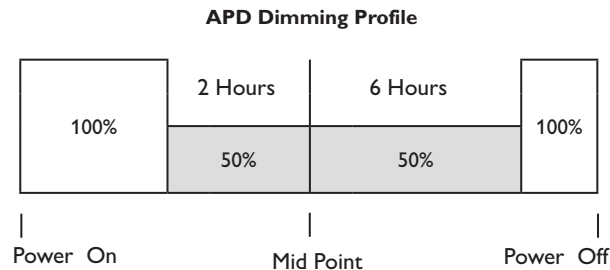
121-CWL: 121 LED sconce providing constant wattage and constant light output when power to the luminaire is energized.

121-MR: 121 LED sconce including a passive infrared (PIR) motion sensor capable of detecting motion within 30 feet of the 121 LED Sconce. The PIR sensor is mounted in the center of the luminaire, near the wall edge of the door frame, approximately 1.5" forward from the wall, and is less than .75" in diameter. When no motion is detected for 5 minutes, the Motion Response system reduces the wattage by 75%, to 25% of the normal constant wattage, reducing the light level accordingly. When motion is detected by the PIR, the luminaire returns to full wattage and full light output. The PIR sensor is capable of motion detection across a total angle of 102° from the center of the sensor (51° to either side of center.) The sensor may be adjusted directionally to maximize detection of motion to one side of the luminaire if desired based on site traffic patterns. PIR sensor provided is the Panasonic EKMB1203112. If the PIR sensor fails, the luminaire will operate in default-high mode. Motion sensors utilized consume 0.0 watts in the off state.



121-DIM: 121 LED sconce provided with 0 -10V dimming for connection to a control system provided by others.

121-APD: Philips Gardco performance LED sconces with Automatic Profile Dimming are provided with the Philips DynaDimmer included. The DynaDimmer is factory programmed to go to 50% power, 50% light output two (2) hours prior to night time mid-point and remain at 50% for six (6) hours after night time mid-point. Mid-point is continuously calculated by the DynaDimmer based on the average mid-point of the last two full night cycles. Short duration cycles, and power interruptions are ignored and do not affect the determination of mid-point.



121-DCC: 121 LED sconce provided with dual circuiting, and dual arrays, permitting separate switching of each led array. Available in LED wattages shown on Page 1 only.



SPECIFICATIONS

GENERAL: Each Philips Gardco 121 luminaire is a wall mounted full cutoff luminaire with integrated lensed LEDs mounted in a fixed array. Internal components are totally enclosed in a rain-tight, dust-tight and corrosion resistant housing. The housing, back plate and door frame are die cast aluminum. A choice of four (4) optical systems is available. Luminaires are suitable for wet locations, mounted in the normal downlight position.

HOUSING: The single-piece stylized housing is die cast aluminum. A memory retentive gasket seals the housing with the door frame to exclude moisture, dust, insects and pollutants from the luminaire. A black, die cast ribbed backplate is included.

IP RATING: Luminaires are rated IP66.

DOOR FRAME: A single-piece die cast aluminum door frame integrates to the housing form. The door frame is hinged closed and secured to the housing with two (2) captive stainless steel fasteners.

OPTICAL SYSTEMS: Philips Gardco 121 Generation 2 LED luminaires utilize lensed LED arrays set to achieve IES Type II, Type III, and Type IV distributions, as well as a Medium Throw distribution. Individual LED arrays are replaceable. Luminaires feature high performance Class 1 LED systems. Luminaires are supplied standard with a clear glass lens.

ELECTRICAL: Luminaires are equipped with an LED driver that accepts 120V through 277V, 50hz to 60hz, input. Driver output is either 350 mA, 530 mA or 700 mA, based on the LED wattage selected. Component-to-component wiring within the luminaire will carry no more than 80% of rated current and is listed by UL for use at 600 VAC at 302°F/150°C or higher. Plug disconnects are listed by UL for use at 600 VAC, 15A or higher. Power factor is not less than 90%. Luminaires consume 0.0 watts in the off state.

LED THERMAL MANAGEMENT: The 121 design provides deep integral thermal radiation fins cast into the upper housing to assist in the thermal management so critical to long LED system life. Metallic screens are placed over the fins and integrated to the housing to prevent the buildup of dust, dirt and contaminants, while permitting required air flow for cooling

LED PERFORMANCE:

PREDICTED LUMEN DEPRECIATION DATA ⁴		
Ambient Temperature °C	Driver mA	L ₇₀ Hours ⁵
25 °C	350 mA	180,000
	530 mA	150,000
	700 mA	120,000
40 °C	350 mA	170,000
	530 mA	130,000
	700 mA	100,000

4. Predicted performance derived from LED manufacturer's data and engineering design estimates, based on IESNA LM-80 methodology. Actual experience may vary due to field application conditions.

5. L₇₀ is the predicted time when LED performance depreciates to 70% of initial lumen output.

FINISH: Each standard color luminaire receives a fade and abrasion resistant, electrostatically applied, thermally cured, triglycidal isocyanurate (TGIC) textured polyester powdercoat finish. Standard colors include bronze (BRP), black (BLP), white (WVP), natural aluminum (NP) and beige (BGP). Consult factory for specifications on custom colors.

LABELS: All luminaires bear either UL or CUL (where applicable) Wet Location labels.

WARRANTY: Philips Gardco luminaires feature a 5 year limited warranty. Philips Gardco LED luminaires with LED arrays feature a 5 year limited warranty covering the LED arrays and LED drivers. See Warranty Information on www.sitelighting.com for complete details and exclusions.

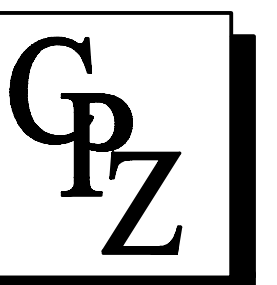
FULL CUTOFF PERFORMANCE: Full cutoff performance means a luminaire distribution where zero candela intensity occurs at an angle at or above 90° above nadir. Additionally, the candela per 1000 lamp lumens does not numerically exceed 100 (10 percent) at a vertical angle of 80° above nadir. This applies to all lateral angles around the luminaire.

CONSULTANT:

PROPOSED NEW FIRE STATION 50
 NW 43 AVE.
 NW 43 AVE & COCONUT CREEK PARKWAY
 COCONUT CREEK, FLORIDA

CPZ ARCHITECTS, INC.

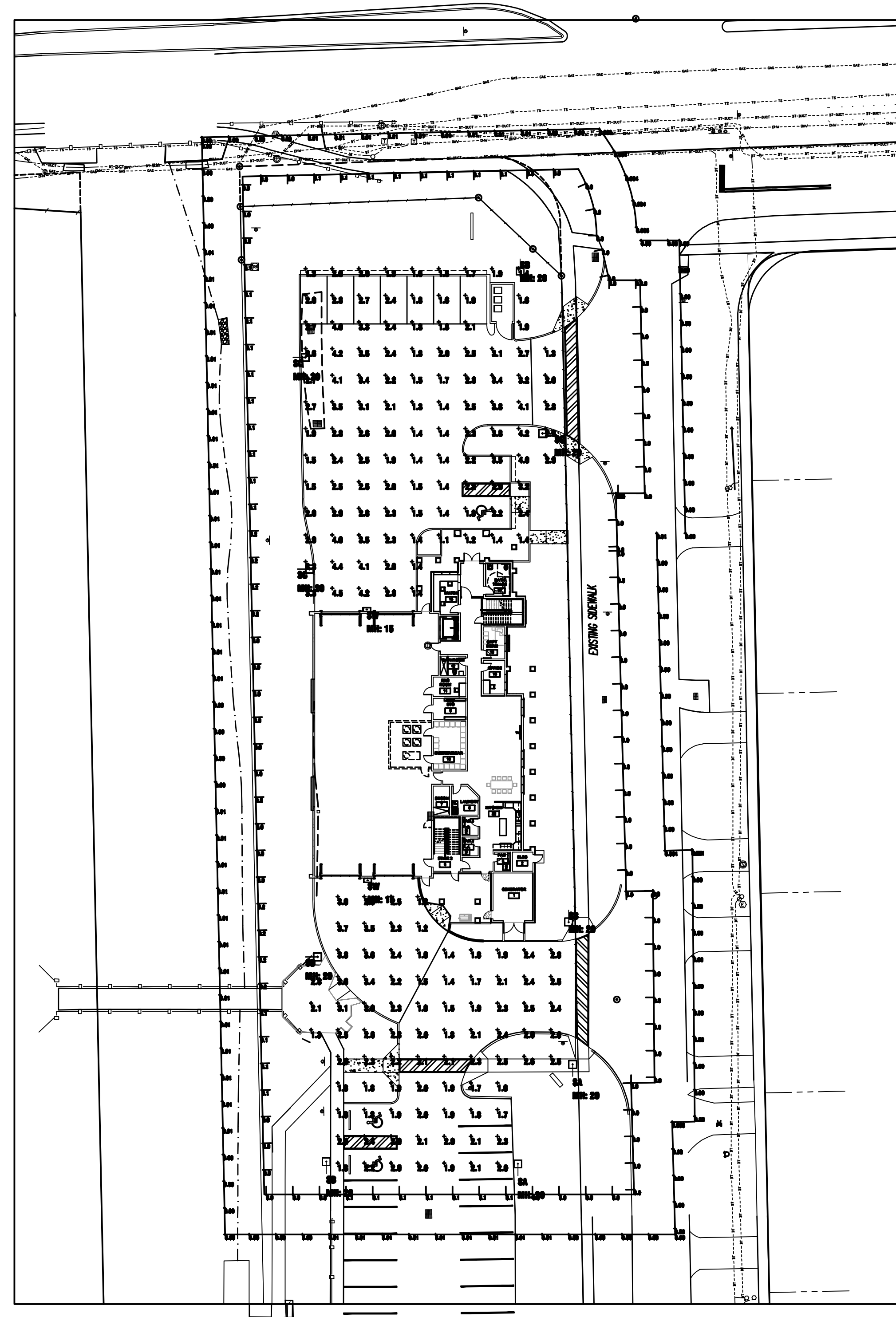
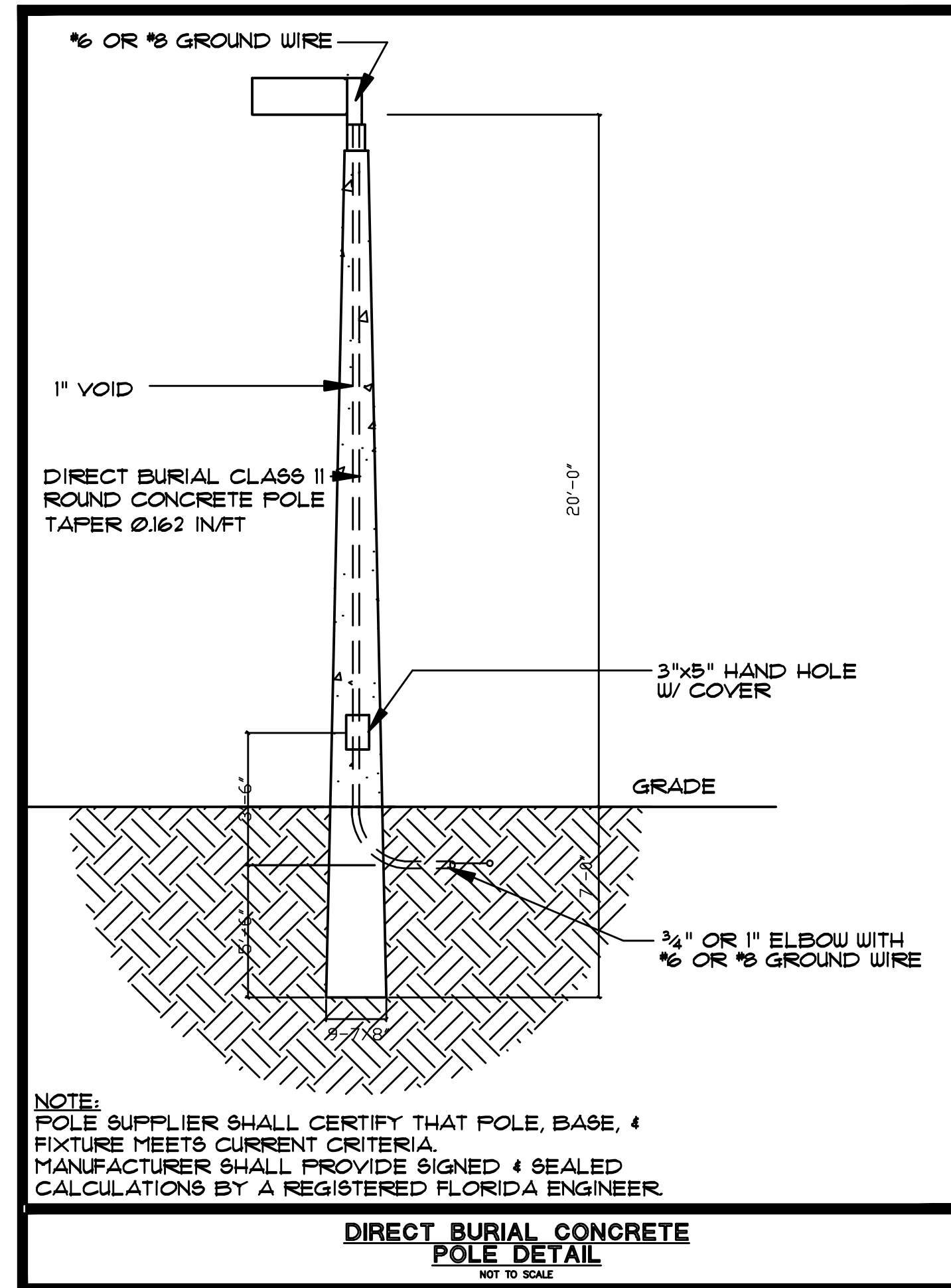
416 WEST BROWARD BOULEVARD
 PLANTATION, FLORIDA 33317
 PHONE: (954) 793-8325 FAX: (954) 337-6859
 A/E 02/08/08 WWW.CPZARCHITECTS.COM



DRAWING TITLE:
 LEED SITE
 PHOTOMETRIC PLAN

DRAWN -
 CHECKED CPZ
 DATE -
 SCALE AS NOTED
 PROJECT NO. 1220B
 SHEET:

E1.1



Landmark Schedule

Project: FIRE STATION 50P NW 43 AVE AND COCONUT CREEK PARKWAY COCONUT CREEK, FL 33408 REV 1 5-10-09

Symbol	Qty	Label	Description	Lot Number	LF	Lot Width	Total Width	LED/Long-Fl	LED/Long-Fl
□	1	01	PHILIPS MANNING P11-45-100L-01P POLE HEIGHT: 30'-0" JWP	504	1,000	100	100	0.0	0.0
□	1	02	PHILIPS MANNING P11-45-100L-01P POLE HEIGHT: 30'-0" JWP	504	1,000	100	100	0.0	0.0
□	1	03	PHILIPS MANNING P10-60-175L-01P POLE HEIGHT: 30'-0" JWP	500	1,000	200	100	0.0	0.0
□	1	04	PHILIPS MANNING P10-60-175L-01P POLE HEIGHT: 30'-0" JWP	500	1,000	170	170	0.0	0.0
□	1	05	PHILIPS MANNING 121-A-100L-01P WALL HEIGHT: 10'-0" JWP	100	1,000	10	10	0.0	0.0

Material Summary

Project: FIRE STATION 50P NW 43 AVE AND COCONUT CREEK PARKWAY COCONUT CREEK, FL 33408 REV 1 5-10-09

Label	Qty	Wt	Vol	Height	Depth
WASTE PAPER	2.00	0.5	1.1	0.51	0.00
WASTE PAPER	2.01	2.0	1.0	1.00	0.17
LEED	N/A	0.000	N/A	N/A	N/A
LEED V 01	N/A	0.000	N/A	N/A	N/A

LPI Area Summary

Project: FIRE STATION 50P NW 43 AVE AND COCONUT CREEK PARKWAY COCONUT CREEK, FL 33408 REV 1 5-10-09

Label	Area	Total Width	LPI
LPI Area	100127	1400	0.014

SITE PHOTOMETRIC PLAN



1/32"=1'-0" NORTH

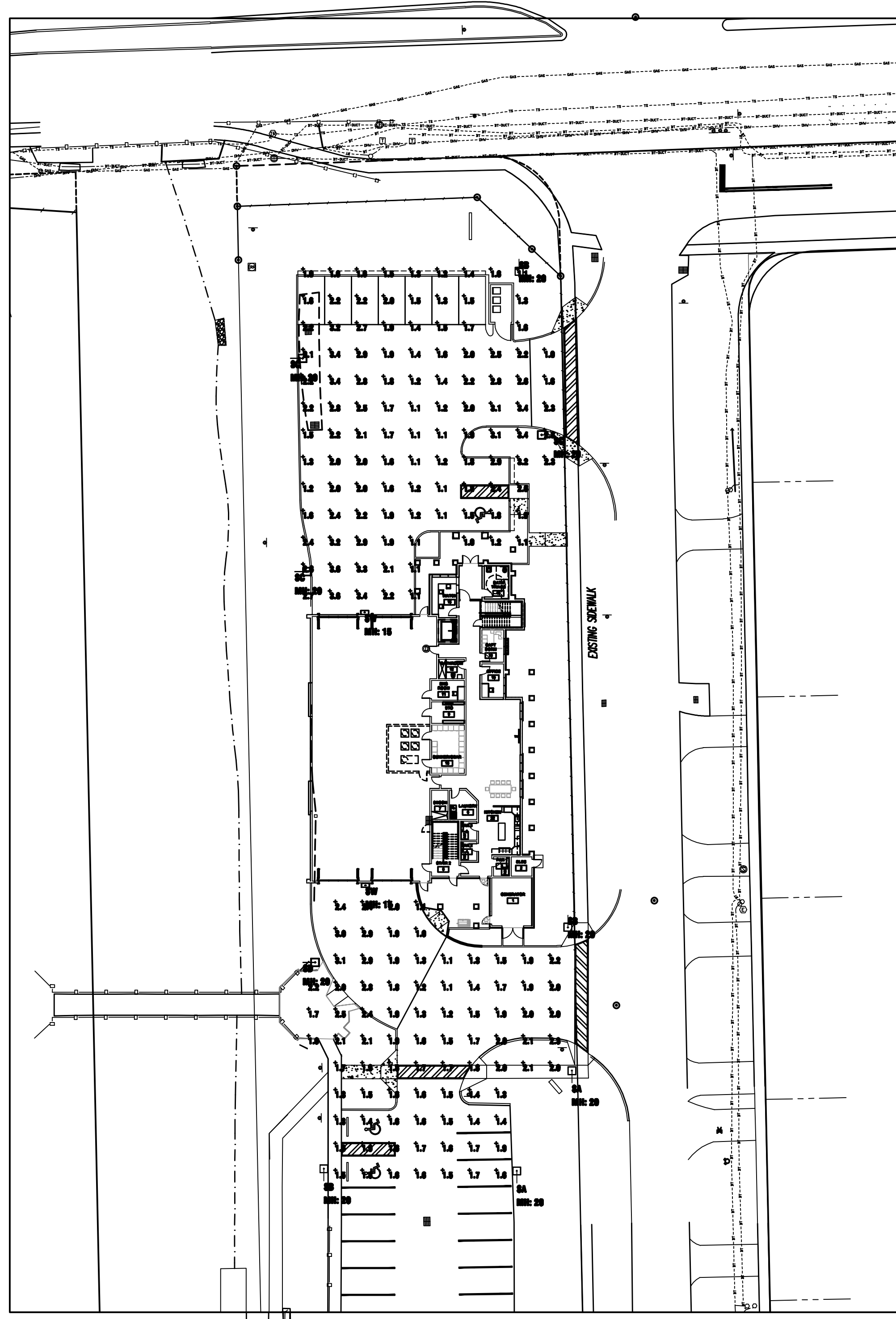
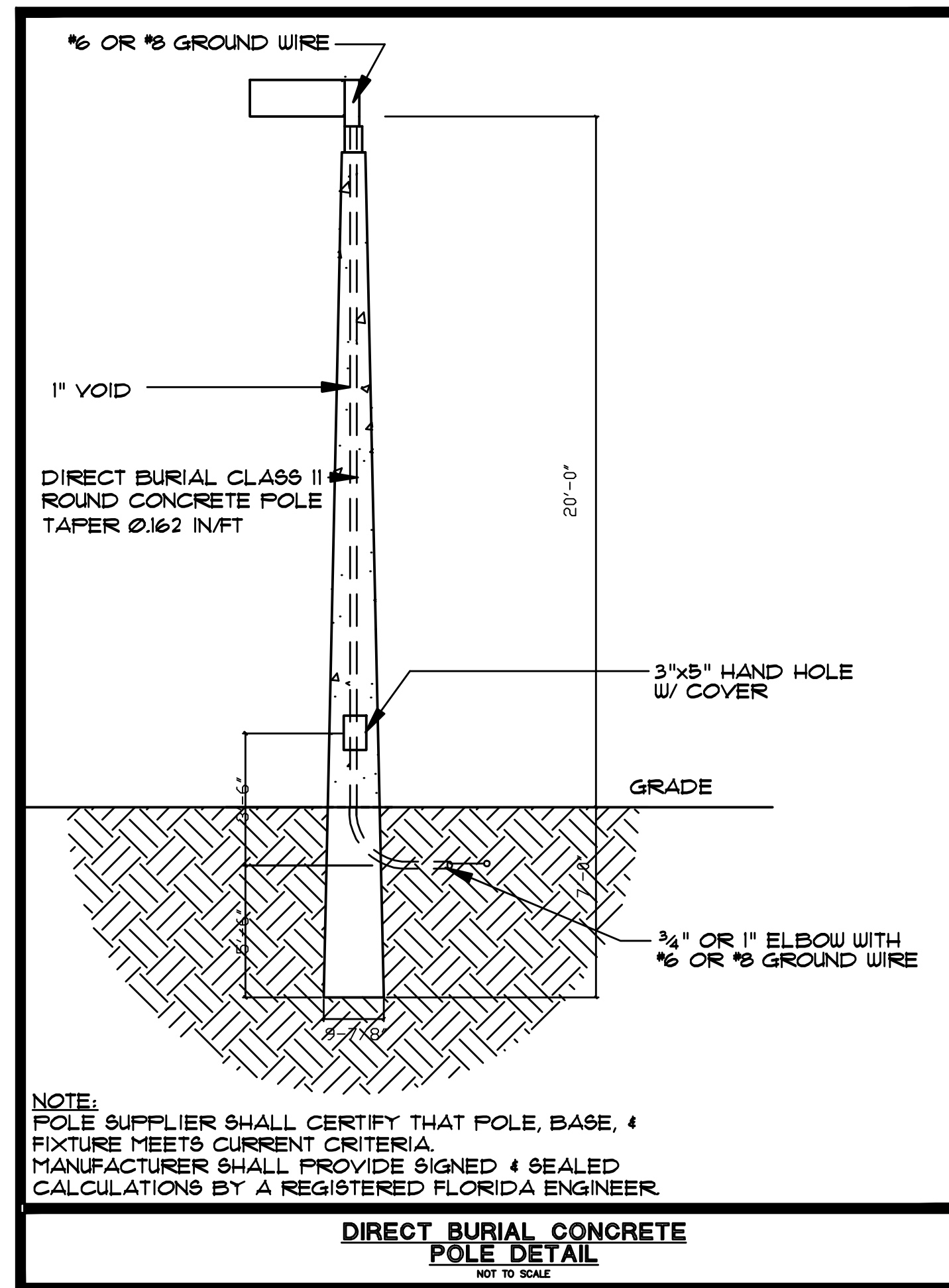
ISSUED FOR RMC 02/04/14

KAMM CONSULTING PROJECT #: 2013-001
 PROJECT MANAGER: JOHN MAXX

KAMM Consulting
 1400 Orange Avenue
 West Palm Beach, Florida 33409
 Phone: 772.333.1744 Fax: 772.333.1745
 www.kammconsulting.com
 Construction of Architecture #110

PRINCIPAL: Brady L. Brown, Florida License #58212
 DATE: 02-17-14
 SIGNATURE: [Signature]

CONSULTANT:



Quantity Schedule

Project: FIRE STATION #100 HW 43 AVE AND COCONUT CREEK PARKWAY COCONUT CREEK, FL. DATE REV 1 3-10-2014

Quantity	Qty	Label	Description	Item Name	L10	L50	L90	Item Value	Total Value
2	0A	PHILIPS HAZARD P11-420-100A-017	POLE MOUNT: SP - P-270	0044	0.000	0.000	0.010	100	200
2	0B	PHILIPS HAZARD P11-420-100A-017	POLE MOUNT: SP - P-270	0044	0.000	0.000	0.010	100	200
2	0C	PHILIPS HAZARD P10-610-CYLA-010-010	POLE MOUNT: SP - P-270	0040	0.000	0.000	0.010	210	420
1	0D	PHILIPS HAZARD P10-610-CYLA-010-010	POLE MOUNT: SP - P-270	0700	0.000	0.000	0.010	170	170
2	0E	PHILIPS HAZARD 121-4-100A-017	WALL MOUNT: 10 - P-270	1040	0.000	0.000	0.010	10	20

Photometric Summary

Project: FIRE STATION #100 HW 43 AVE AND COCONUT CREEK PARKWAY COCONUT CREEK, FL. DATE REV 1 3-10-2014

Label	Qty	Item	Item	Aug/90s	Item/ft
00000 P00000	1.07	0.0	1.0	1.07	0.00
00000 P00000	1.70	0.1	1.0	1.70	0.10

LFD Area Summary

Project: FIRE STATION #100 HW 43 AVE AND COCONUT CREEK PARKWAY COCONUT CREEK, FL. DATE REV 1 3-10-2014

Label	Area	Total Value	LFD
LFD Area	100127	1400	0.014

SITE PHOTOMETRIC PLAN NORTH
 1/32"=1'-0"

PROPOSED NEW FIRE STATION 50
 NW 43 AVE.
 NW 43 AVE & COCONUT CREEK PARKWAY
 COCONUT CREEK, FLORIDA

CPZ ARCHITECTS, INC.

616 WEST BROWARD BOULEVARD
 PLANTATION, FLORIDA 33317
 PHONE: (954) 794-8325 FAX: (954) 337-6859
 A/E 0000008 WWW.CPZARCHITECTS.COM



DRAWING TITLE:
 SITE
 PHOTOMETRIC PLAN

DRAWN -
 CHECKED CPZ
 DATE -
 SCALE AS NOTED
 PROJECT NO. 1220B
 SHEET:

E1.2

ISSUED FOR TMO 02/01/14

KAMM CONSULTING PROJECT # 2013-001
 PROJECT MANAGER: JOHN MAYER

1400 Orange Avenue
 West Palm Beach, Florida 33409
 Phone 772.333.1744 Fax 772.333.1745
 www.kammconsulting.com
 Construction of Architecture #1110

PRINCIPAL: 09-27-14
 Brady L. Brown Florida License #58212 date signed

Job:
Type:
Notes:



PureForm LED

P21 Area and Pedestrian Scale Luminaires

Philips Gardco PureForm luminaires combine LED performance excellence and advanced Gardco LED thermal management technology with a distinct purity of style to provide outdoor area lighting that is both energy efficient and aesthetically pleasing. PureForm is defined by its high performance, sleek low profile design and rugged construction. The die cast aluminum housing mounts directly to a pole or wall, and has a maximum profile of just 3". The advanced LED optical systems provide IES Types II, III, IV and V distributions, as well as a Backlight Control optic. Special LEED corner cutoff optics are also available. All LED wattages utilize high performance Class 1 LED systems. The luminaire features a state of the art integral thermal control system to maximize LED performance and life, and to extend component life. The door frame is die cast aluminum. Luminaires are finished with a fade and abrasion resistant TGIC powdercoat. PureForm luminaires are available in a wide variety of mountings and arms. All PureForm luminaires provide full cutoff performance.

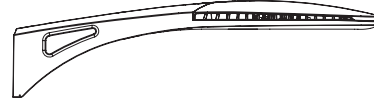
A1 - 9" Standard Arm Mount



A2 - 5" Short Arm Mount



A3 - Decorative Arm Mount



MA - Mast Arm Mount



PureForm luminaires are provided standard without a glass lens, for maximized performance. A glass lens is available as an option, resulting in reduced performance.

PREFIX	ARM	MOUNTING	OPTICAL SYSTEM	LED WATTAGE	LED SELECTION	VOLTAGE	FINISH	OPTIONS
<input type="text"/>	<input type="text"/>	<input type="text"/>	<input type="text"/>	<input type="text"/>	<input type="text"/>	<input type="text"/>	<input type="text"/>	<input type="text"/>

Enter the order code into the appropriate box above. Note: Philips Gardco reserves the right to refuse a configuration. Not all combinations and configurations are valid. Refer to notes below for exclusions and limitations. For questions or concerns, please consult the factory.

PREFIX

(See page 4 and page 5 for details on luminaire configurations.)

- P21** 21" PureForm Luminaire - Constant Wattage
- P21-DIM** 21" PureForm with 0-10V Dimming
- P21-MR50¹** 21" PureForm with Motion Response - 50% Low, Pole Mounted Motion Sensor
- P21-APD²** 21" PureForm with Automatic Profile Dimming
- P21-APD-MRO¹** 21" PureForm - APD with Motion Response Override, Pole Mounted Motion Sensor
- P21-MRI^{2,3}** 21" PureForm with Motion Response - 50% Low, Integral Motion Sensor
- P21-APD-MRI^{2,3}** 21" PureForm - APD with Motion Response Override, Integral Motion Sensor

1. MR50 and APD-MRO luminaires require one motion sensor per pole, ordered separately. See Accessories on page 2. Motion Response luminaires available 120V or 277V only.
2. Available 120V through 277V only.
3. MRI and APD-MRI luminaires include an integral motion sensor.

ARM (Omit for Mast Arm Mount luminaires)

Arm Style	Available Mountings
A1 Standard 9" Arm	Direct to Pole Mount and Wall Mount
A2 Short 5" Arm	Direct to Pole Mount and Wall Mount
A3 Decorative Arm	Direct to Pole Mount Only

Note: All Arm Styles shown above mount to a round pole with no adapter. If mounting to a square pole, specify the appropriate Square Pole Adapter option: **SPA1-2** for A1 or A2 arms, **SPA3** for A3 arms. See **Options** on page 2.

MOUNTING

Direct to Pole Mount (Available with A1, A2 or A3 Arms)

- 1** Single Pole Mount
- 2** Twin Pole Mount at 180°
- 2@90** Twin Pole Mount at 90°
- 3** 3-way Pole Mount at 90°
- 3@120°** 3-way Pole Mount at 120°
- 4** 4-way Pole Mount

Mast Arm Mount

MA Mast Arm Mount (Requires 2 3/8" OD Mast Arm)

Wall Mount

(Available with A1 or A2 Arms Only.
Not available in P21-MR50, or P21-APD-MRO.)

- W** Wall Mount
- WS** Wall Mount, Surface Conduit

OPTICAL SYSTEM⁴ Featuring unitized optic lens construction.

Optic Type	Standard Optic Position	Optic Rotated Left ⁵ (90°)	Optic Rotated Right ⁵ (270°)
Type II	2	2-90	2-270
Type III	3	3-90	3-270
Type IV	4	4-90	4-270
Type V Medium	5M		
Type V Wide	5W		
Backlight Control	BLC	BLC-90	BLC-270
LEED Corner Cutoff Optics ⁶		LCL	LCR

4. Luminaire door frame and optic assembly provided standard without glass lens. Specify CLR option for clear glass lens. See **Options** on page 2.

5. See pages 7 and 8 for information on optical rotation prior to ordering.

6. Available with 90LA or 130LA LED wattages only.





LED WATTAGE AND LUMEN VALUES

Ordering Code	Average System Watts ⁷	LED Current (mA)	LED Quantity - Single LED Array	LED Selection	Luminaire Initial Absolute Lumens ^{8,9}				
					TYPE 2	TYPE 3	TYPE 4	TYPE 5M	TYPE 5W
55LA	55	350	48	NW	4,402(s)	4,563 (s)	4,412	5,133 (s)	5,357 (s)
70LA	70	350	64	NW	5,869 (s)	6,084 (s)	5,838 (s)	6,6844 (s)	7,142 (s)
90LA	90	350	80	NW	7,336	7,605 (s)	7,298	8,555	8,928
80LA	80	530	48	NW	6,176 (s)	6,518 (s)	6,211	7,165 (s)	7,860
105LA	105	530	64	NW	8,235(s)	8,691 (s)	8,152 (s)	9,553 (s)	10,425
130LA	130	530	80	NW	10,294	10,864	10,190	11,941	13,009

7. Wattage may vary by +/- 8% due to LED manufacturer forward volt specification and ambient temperature. Wattage shown is average for 120V through 277V input. Actual wattage may vary by an additional +/- 10% due to actual input voltage.
8. Values shown are for luminaires without the CLR, DL or EHHS options. Tests are in process for configurations not shown. "(s)" following the value indicates that values are scaled from tests on similar, but not identical luminaire configurations. Contact Gardco.applications@philips.com if any approximate estimates are required for design purposes.
9. Lumen values based on tests performed in compliance with IESNA LM-79.

LED SELECTION

CW	Cool White - 5700°K - 75 CRI Nominal
NW	Neutral White - 4000°K - 70 CRI Nominal
WW	Warm White - 3000°K - 80 CRI Nominal

VOLTAGE

UNIV	120V through 277V, 50hz or 60hz
HVU	347V through 480V, 50hz or 60hz (High Voltage Universal)

FINISH

BRP	Bronze Paint
BLP	Black Paint
WP	White Paint
NP	Natural Aluminum Paint
OC	Optional Color Paint Specify Optional Color or RAL ex: OC-LGP or OC-RAL7024.
SC	Special Paint Specify. Must supply color chip.

OPTIONS

F¹⁰	Fusing
LF	In-Line/In-Pole Fusing
BD¹¹	Bird Deterrent Spike Kit
PC^{12,13}	Photocontrol and Receptacle
PCR¹³	Photocontrol Receptacle only
PCB^{12,13}	Button Photocontrol
EHHS	External Houseside Shield
PTF2	Pole Top Fitter - 2 3/8" - 3" Dia. Tenon
PTF3	Pole Top Fitter - 3" - 3 1/2" Dia. Tenon
PTF4	Pole Top Fitter - 3 1/2" - 4" Dia. Tenon
SPA1-2	Square Pole Adapter (for use with A1 or A2 Arms)
SPA3	Square Pole Adapter (for use with A3 Arms)

DL	Diffusing Lens (reduces performance significantly)
CLR	Clear Glass Lens (reduces performance)
POLY¹⁴	Polycarbonate Lens (reduces performance)
SPR¹⁵	Surge Protection for 120V through 277V Input meeting ANSI C62.41.2
SPRH¹⁵	Surge Protection for 347V through 480V Input meeting ANSI C62.41.2
TB	Terminal Block
TL	Provides for access to the LED arrays and driver without tools

10. Available with A1 arm or with MA mounting only. Provide specific input voltage.

11. Kits consist of 25 injection molded plastic bird deterrent spikes. Field installation only.

12. Not available in 480V. Provide specific input voltage.

13. Available with A1 or A2 arms, or with MA mounting only.

14. Polycarbonate lenses feature a 1 year warranty only.

15. Not available with Fusing (F) option.

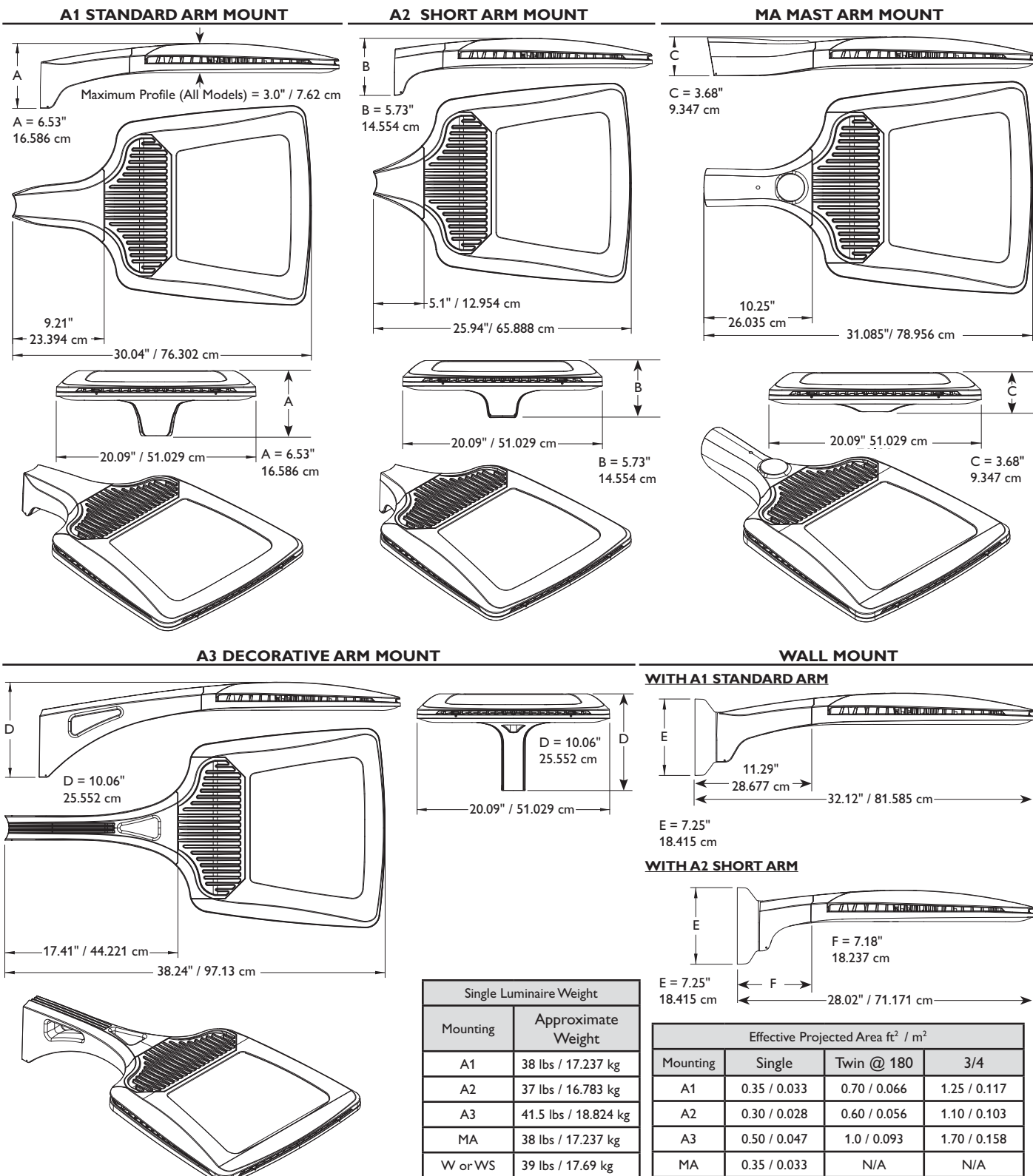
ACCESSORIES (Ordered separately)

MS-A-120V	120V Input - Area Motion Sensor for P21-MR50 (Motion Response) or P21-APD-MRO (Automatic Profile Dimming with Motion Response Override)
MS-A-277V	277V Input - Area Motion Sensor for P21-MR50 (Motion Response) or P21-APD-MRO (Automatic Profile Dimming with Motion Response Override)

Motion Sensors are ordered separately, with one (1) motion sensor required per pole location for P21-MR50 or P21-APD-MRO luminaires. See Luminaire Configuration Information on page 4-5 for more details. Area motion sensor color is Arctic White. MRI and APD-MRI luminaires include an integral motion sensor.



DIMENSIONS AND EPA



1611 Clovis Barker Road, San Marcos, TX 78666
 (800) 227-0758 (512) 753-1000 FAX: (512) 753-7855 sitelighting.com

© 2012 Koninklijke Philips Electronics N.V. All Rights Reserved.

Philips Gardco reserves the right to change materials or modify the design of its product without notification as part of the company's continuing product improvement program.

G200-035/1012

PHILIPS





P21 Area and Pedestrian Scale Luminaires

LUMINAIRE CONFIGURATION INFORMATION (CONTINUED ON PAGE 5)

P21: Philips Gardco PureForm LED standard luminaire providing constant wattage and constant light output when power to the luminaire is energized.

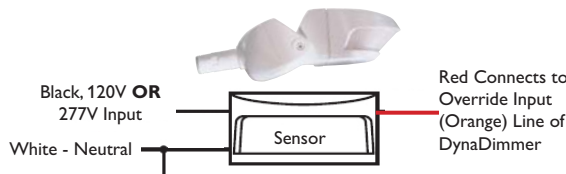
P21-DIM: Philips Gardco PureForm LED luminaire provided with 0 -10V dimming for connection to a control system provided by others.

P21-MR50: Philips Gardco PureForm LED luminaire with motion response, providing a 50% power reduction on low and a commensurate reduction in light output. The power and light output reduction is accomplished utilizing the Philips DynaDimmer module, programmed for a constant 50% power. Power supplied by the motion sensor connected to the override line on the DynaDimmer takes the luminaire to high setting, 100% power and light output, when motion is detected. The luminaire remains on high until no motion is detected for the motion sensor duration period, after which the luminaire returns to low. Duration period is factory set at 15 minutes, and is field adjustable from 5 minutes up to 15 minutes.

This configuration is not available for use with wall mounted luminaires.

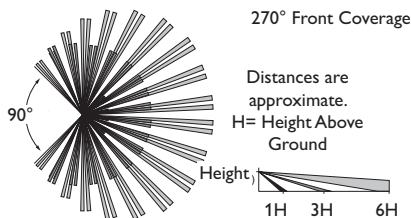
P21-MR50 is available in 120V through 277V input only to the luminaire. Motion sensors require single voltage 120V or 277V input.

The Area PIR motion sensor is the WattStopper EW-200-120-W (120V Input - MSA-120V) or the WattStopper EW-200-277-W (277V Input - MSA-277V.) One motion sensor per pole is required and is ordered separately. Area sensors require single voltage 120V or 277V input.

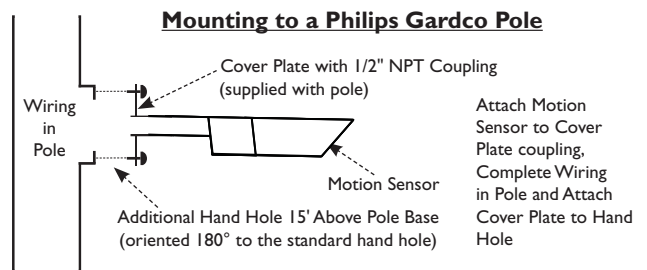


The area motion detector provides coverage equal to up to 6 times the sensor height above ground, 270° from the front-center of the sensor.

Area PIR Motion Sensor Coverage Pattern:



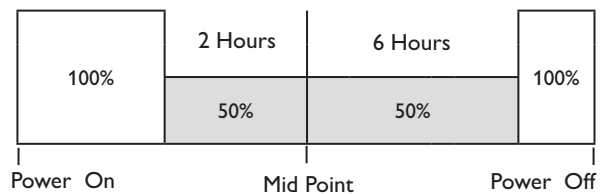
Motion response requires that the pole include an additional hand hole 15 feet above the pole base, normally oriented 180° to the standard hand hole. For Philips Gardco poles, order the pole with the Motion Sensor Mounting (MSM) option which includes the hand hole and a special hand hole cover plate for the sensor with a 1/2" NPT receptacle centered on the hand hole cover plate into which the motion sensor mounts. Once the motion sensor is connected to the hand hole cover plate, then wiring connections are completed in the pole. The plate (complete with motion sensor attached and wired) is then mounted to the hand hole. **If poles are supplied by others, the customer is responsible for providing suitable mounting accommodations for the motion sensor in the pole.**



P21-APD: Philips Gardco PureForm LED luminaire with Automatic Profile Dimming. Luminaire is provided with a programmable LED Driver, programmed to go to 50% power, 50% light output two (2) hours prior to night time mid-point and remain at 50% for six (6) hours after night time mid-point. Mid-point is continuously recalculated by the programmable LED Driver based on the average mid-point of the last two full night cycles. Short duration cycles, and power interruptions are ignored and do not affect the determination of mid-point.

P21-APD is available in 120V through 277V input only.

P21-APD Dimming Profile:



The P21-APD offers many of the advantages of a sophisticated control system, including an average energy savings of at least 33% versus constant wattage, constant light output systems, without the need for a control system.



LUMINAIRE CONFIGURATION INFORMATION (CONTINUED FROM PAGE 4)

P21-APD-MRO: Philips Gardco PureForm LED luminaire with Automatic Profile Dimming, with Motion Response Override. The P21-APD-MRO combines the benefits of both automatic profile dimming and motion response, using the Philips DynaDimmer module. The luminaire will dim to 50% power, 50% light output, per the dimming profile shown for the P21-APD. If motion is detected during the time that the luminaire is operating at 50%, the luminaire returns to 100% power and light output. The luminaire remains on high until no motion is detected for the duration period, after which the luminaire returns to low. Duration period is factory set at 15 minutes, and is field adjustable from 5 minutes up to 15 minutes.

This configuration is not available for use with wall mounted luminaires.

P21-APD-MRO is available in 120V through 277V input only to luminaire. The motion sensor requires either 120V or 277V input to the motion sensor.

The P21-APD-MRO has the same pole requirements and utilizes the same motion sensors as the P21-MR50. The motion sensor mounts and wires identically as well. The P21-APD-MRO utilizes the identical dimming profile as shown for the P21-APD.

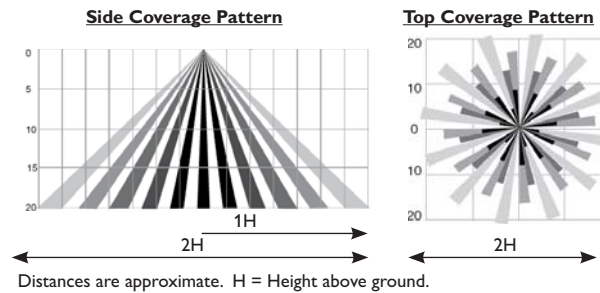
By combining the benefits of automatic profile dimming and motion response, the P21-APD-MRO assures maximum energy savings, and insures that adequate light is present if motion is detected.

Note: All motion sensors utilized consume 0.0 watts in the off state.

Luminaires with Integral Motion Sensor - P21-MRI: Luminaires with Motion Response and an integral motion sensor include a programmable LED driver and an integral motion sensor. The programmable LED driver is set to a constant 50%. When motion is detected, the luminaire goes to 100%. The luminaire remains on high until no motion is detected for the motion sensor duration period, after which the luminaire returns to low. Duration period is factory set at 15 minutes. Available with 120V through 277V (UNIV) only.

P21-MRI luminaires are provided with the WattStopper FS-305-L3W motion sensor, with a maximum recommended 20 ft. mounting height. The area coverage and range of the integral sensors make them most suitable for applications not requiring long range detection. For longer range detection applications, configurations with pole mounted motion sensors are recommended.

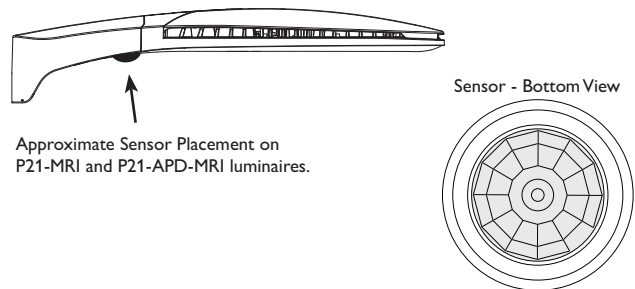
FS-305-L3W - Supplied with PureForm MRI Luminaires



Luminaires with Integral Motion Sensor - P21-APD- MRI: Luminaires with Automatic Profile Dimming and Motion Response Override combine the benefits of both automatic profile dimming and motion response. APD-MRI luminaires utilize a programmable LED driver. The luminaire will dim to 50% power, 50% light output, per the dimming profile shown for APD luminaires (see page 4). If motion is detected during the time that the luminaire is operating at 50%, the luminaire goes to 100% power and light output. The luminaire remains on high until no motion is detected for the duration period, after which the luminaire returns to low. Duration period is factory set at 15 minutes.

APD-MRI luminaires are available with 120V through 277V (UNIV) input voltages only.

APD-MRI luminaires use the identical motion sensor as MRI luminaires. See motion sensor details for P21-MRI.





SPECIFICATIONS

GENERAL DESCRIPTION: Philips Gardco PureForm luminaires combine LED performance excellence and advanced Gardco LED thermal management technology with a distinct purity of style to provide outdoor area lighting that is both energy efficient and aesthetically pleasing. PureForm is defined by its high performance, sleek low profile design and rugged construction. The die cast aluminum housing mounts directly to a pole or wall, and has a maximum profile of just 3". All LED wattages utilize high performance Class 1 LED systems. The luminaire features a state of the art integral thermal control system to maximize LED performance and life, and to extend component life. The door frame is die cast aluminum. Luminaires are finished with a fade and abrasion resistant TGIC powdercoat. PureForm luminaires are available in a wide variety of mountings and arms.

HOUSING: The PureForm features a die cast aluminum housing, and mounts directly to a pole or wall. The low profile rounded form reduces the effective projected area of the luminaire significantly.

PureForm luminaires supplied with A1, A2 and A3 arms are provided with arms firmly attached to the main luminaire housing body. As a result, the luminaires provide the functionality, strength and installation ease of an integral arm luminaire.

Mast arm mount luminaires are provided with the mast arm mounting assembly firmly attached to the main luminaire housing body.

IP RATING: PureForm luminaires have a rating of IP66.

VIBRATION RESISTANCE: PureForm carries a 3G vibration rating that conforms to standards set forth by ANSI C136.31. Testing includes vibration to 3G acceleration in three axes, all performed on the same luminaire.

OPTICAL SYSTEMS: The advanced LED optical systems provide IES Types II, III, IV and V distributions, as well as a Backlight Control optic. Special LEED corner cutoff optics are also available, both as LCR (right) and LCL (left.) All optical systems feature unitized lens optic construction.

Types 2, 3, 4, BLC and LCR/LCL optical systems utilize an innovative redirecting reflector system to complement the performance of the LED optic. The redirecting reflector system includes a black surrounding surface to minimize aperture brightness when viewed from the rear of the luminaire.

PureForm luminaires are provided standard without a glass lens, for maximized performance. A glass lens is available as an option, resulting in reduced performance. All PureForm luminaires provide full cutoff performance.

LED RELIABILITY:

PREDICTED LUMEN DEPRECIATION DATA		
Ambient Temperature °C	Driver mA	L ₇₀ Hours ¹⁶
25 °C	350 mA	240,000
	530 mA	180,000
40 °C	350 mA	225,000
	530 mA	160,000

16. Predicted performance derived from LED manufacturer's data and engineering design estimates, based on IESNA LM-80 methodology. Actual experience may vary due to field application conditions. L₇₀ is the predicted time when LED performance depreciates to 70% of initial lumen output.

THERMAL MANAGEMENT: The Philips Gardco PureForm LED provides die cast aluminum integral thermal radiation fins to provide the excellent thermal management so critical to long LED system life.

ELECTRICAL: Luminaires are equipped with an LED driver that accepts 120V through 277V, or 347V through 480V, 50hz to 60hz, input. Driver output is based on the LED wattage selected. Component-to-component wiring within the luminaire will carry no more than 80% of rated current and is listed by UL for use at 600 VAC at 302°F / 150°C or higher. Plug disconnects are listed by UL for use at 600 VAC, 15A or higher. Power factor is not less than 90%. Luminaire consumes 0.0 watts in the off state. All motion sensors utilized consume 0.0 watts in the off state.

FINISH: Each standard color luminaire receives a fade and abrasion resistant, electrostatically applied, thermally cured, triglycidal isocyanurate (TGIC) textured polyester powdercoat finish. Standard colors include bronze (BRP), black (BLP), white (WVP), and natural aluminum (NP). Consult factory for specs on optional or custom colors.

LABELS: All luminaires bear UL or CUL (where applicable) Wet Location labels.

WARRANTY: Philips Gardco luminaires feature a 5 year limited warranty. Philips Gardco LED luminaires with LED arrays feature a 5 year limited warranty covering the LED arrays. LED Drivers also carry a 5 year limited warranty. Motion sensors are covered by warranty for 5 years by the motion sensor manufacturer. See Warranty Information on www.sitelighting.com for complete details and exclusions. Polycarbonate lenses carry a 1 year warranty.

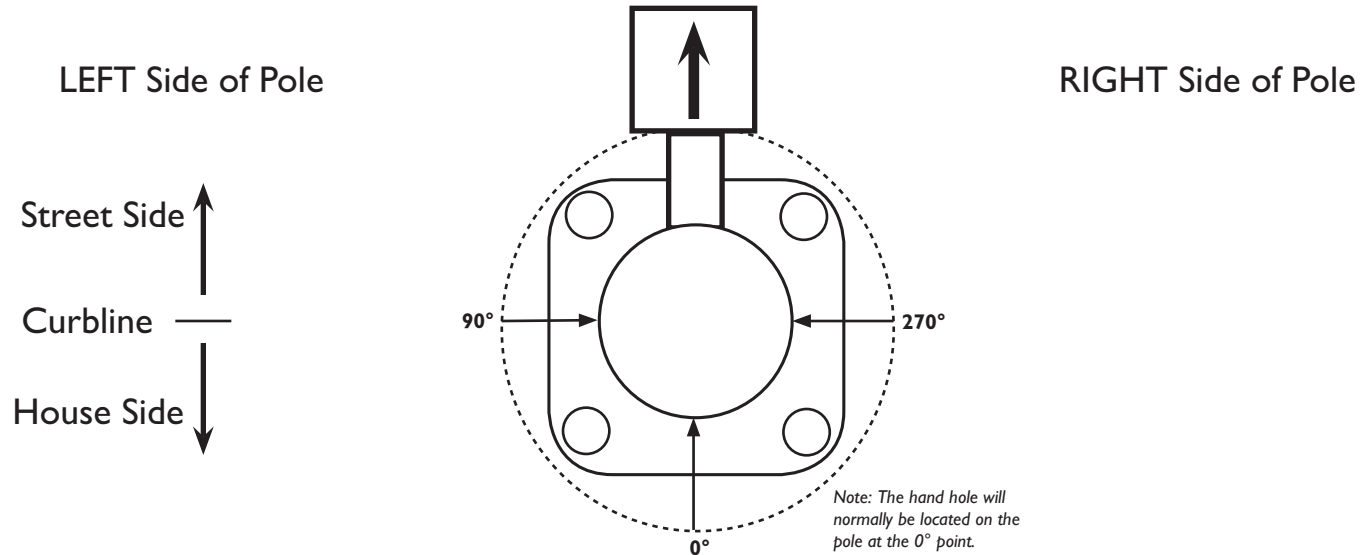
FULL CUTOFF PERFORMANCE: Full cutoff performance means a luminaire distribution where zero candela intensity occurs at an angle at or above 90° above nadir. Additionally, the candela per 1000 lamp lumens does not numerically exceed 100 (10 percent) at a vertical angle of 80° above nadir. This applies to all lateral angles around the luminaire.



ASYMMETRIC OPTICAL ORIENTATION INFORMATION (CONTINUED ON PAGE 8)

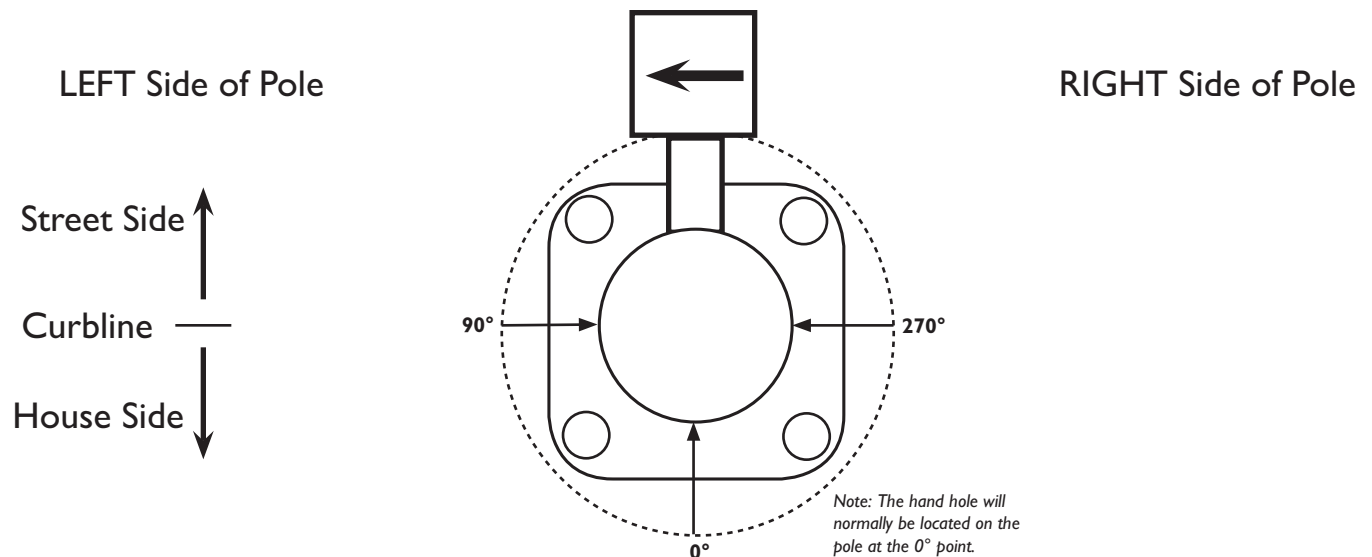
STANDARD OPTIC POSITION:

Luminaires ordered with asymmetric optical systems in the standard optic position will have the optical system oriented as shown below:



OPTIC ROTATED LEFT (90°) OPTIC POSITION:

Luminaires ordered with asymmetric optical systems in the **OPTIC ROTATED LEFT (90°)** optic position will have the optical system oriented as shown below:

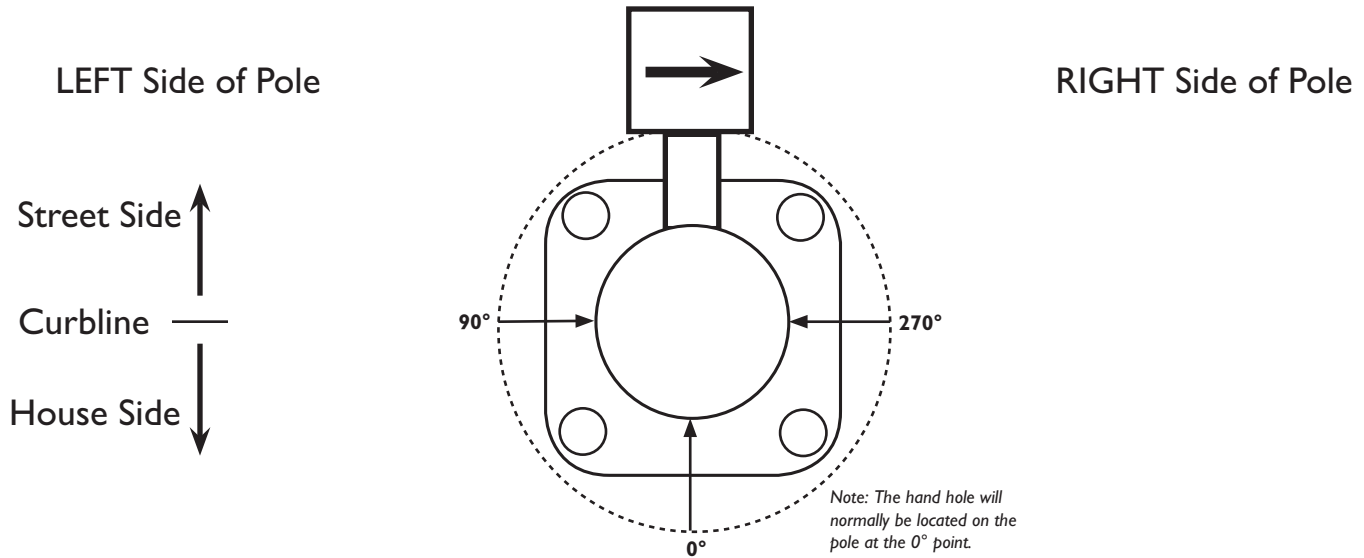




ASYMMETRIC OPTICAL ORIENTATION INFORMATION (CONTINUED FROM PAGE 7)

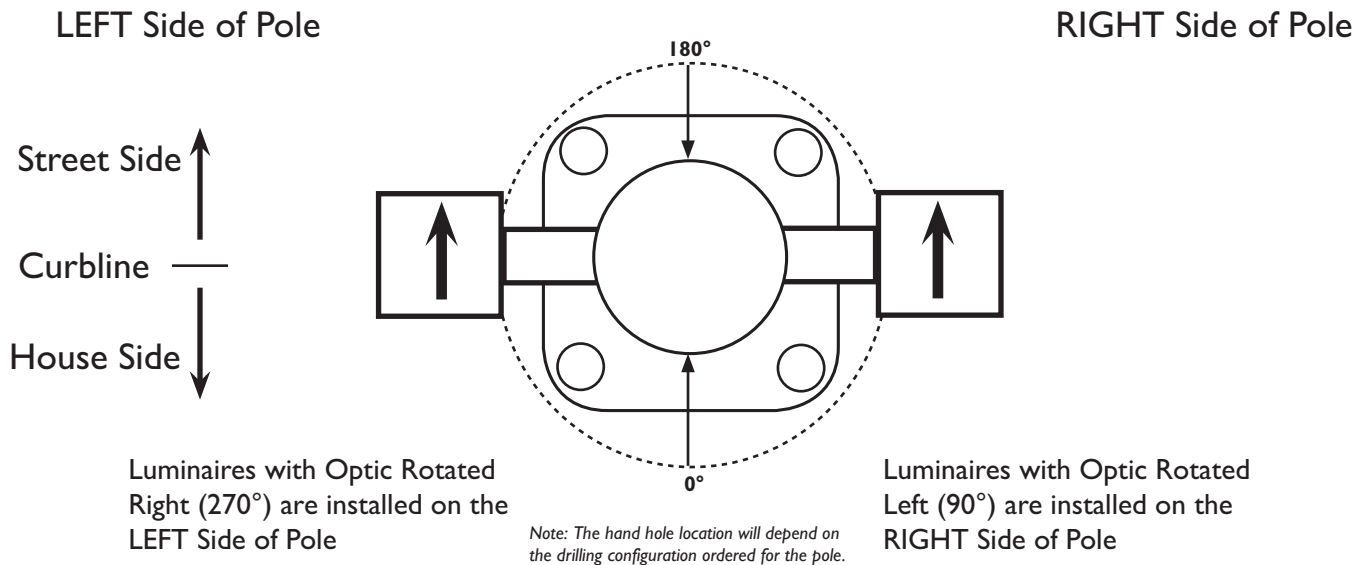
OPTIC ROTATED RIGHT (270°) OPTIC POSITION:

Luminaires ordered with asymmetric optical systems in the **OPTIC ROTATED RIGHT (270°)** optic position will have the optical system oriented as shown below:



TWIN LUMINAIRE ASSEMBLIES WITH ROTATED OPTICAL SYSTEMS:

Twin luminaire assemblies installed with rotated optical systems are an excellent way to direct light toward the interior of the site (Street Side) without additional equipment. It is important, however, that care be exercised to insure that luminaires are installed in the proper location.



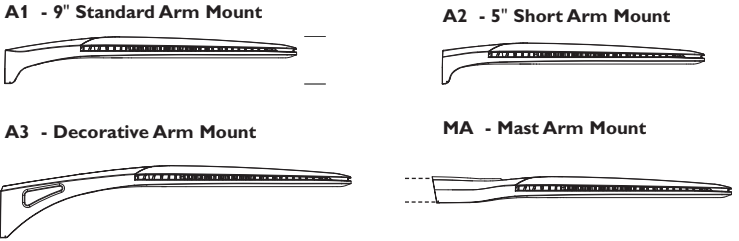
Job:
 Type:
 Notes:



PureForm LED

P32 Area Luminaires

Philips Gardco PureForm luminaires combine LED performance excellence and advanced Gardco LED thermal management technology with a distinct purity of style to provide outdoor area lighting that is both energy efficient and aesthetically pleasing. PureForm is defined by its high performance, sleek low profile design and rugged construction. The die cast aluminum housing mounts directly to a pole or wall, and has a maximum profile of just 3". The advanced LED optical systems provide IES Types II, III, IV and V distributions, as well as a Backlight Control optic. Special LEED corner cutoff optics are also available. All LED wattages utilize high performance Class 1 LED systems. The luminaire features a state of the art integral thermal control system to maximize LED performance and life, and to extend component life. The door frame is die cast aluminum. Luminaires are finished with a fade and abrasion resistant TGIC powdercoat. PureForm luminaires are available in a wide variety of mountings and arms. All PureForm luminaires provide full cutoff performance.



PureForm luminaires are provided standard without a glass lens, for maximized performance. A glass lens is available as an option, resulting in reduced performance.

PREFIX	ARM	MOUNTING	OPTICAL SYSTEM	LED WATTAGE	LED SELECTION	VOLTAGE	FINISH	OPTIONS
<input type="text"/>	<input type="text"/>	<input type="text"/>	<input type="text"/>	<input type="text"/>	<input type="text"/>	<input type="text"/>	<input type="text"/>	<input type="text"/>

Enter the order code into the appropriate box above. Note: Philips Gardco reserves the right to refuse a configuration. Not all combinations and configurations are valid. Refer to notes below for exclusions and limitations. For questions or concerns, please consult the factory.

PREFIX

(See page 4 and page 5 for details on luminaire configurations.)

- P32** 32" PureForm Luminaire - Constant Wattage
- P32-DCC** 32" PureForm Luminaire - Dual Circuit Control
- P32-DIM** 32" PureForm with 0-10V Dimming
- P32-MR50¹** 32" PureForm with Motion Response - 50% Low, Pole Mounted Motion Sensor
- P32-APD²** 32" PureForm with Automatic Profile Dimming
- P32-APD-MRO¹** 32" PureForm - APD with Motion Response Override, Pole Mounted Motion Sensor

1. MR50 and APD-MRO luminaires require one motion sensor per pole, ordered separately. See Accessories on page 2. Motion Response luminaires available 120V or 277V only.
 2. Available 120V through 277V only.

ARM (Omit for Mast Arm Mount luminaires)

Arm Style	Available Mountings
A1 Standard 9" Arm	Direct to Pole Mount and Wall Mount
A2 Short 5" Arm	Direct to Pole Mount and Wall Mount
A3 Decorative Arm	Direct to Pole Mount Only

Note: All Arm Styles shown above mount to a round pole with no adapter. If mounting to a square pole, specify the appropriate Square Pole Adapter option: **SPA1-2** for A1 or A2 arms, **SPA3** for A3 arms. See Options on page 2.

MOUNTING

Direct to Pole Mount (Available with A1, A2 or A3 Arms)

- 1** Single Pole Mount
- 2** Twin Pole Mount at 180°
- 2@90** Twin Pole Mount at 90°
- 3** 3-way Pole Mount at 90°
- 3@120°** 3-way Pole Mount at 120°
- 4** 4-way Pole Mount

Mast Arm Mount

MA Mast Arm Mount (Requires 2 3/8" OD Mast Arm)

Wall Mount

(Available with A1 or A2 Arms Only. Not available in P32-MR50, or P32-APD-MRO.)

- W** Wall Mount
- WS** Wall Mount, Surface Conduit

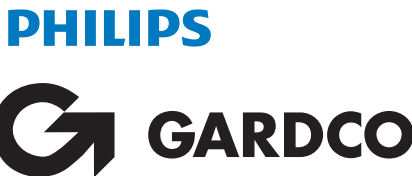
OPTICAL SYSTEM⁴ Featuring unitized optic lens construction.

Optic Type	Standard Optic Position	Optic Rotated Left ⁵ (90°)	Optic Rotated Right ⁵ (270°)
Type II	2	2-90	2-270
Type III	3	3-90	3-270
Type IV	4	4-90	4-270
Type V Medium	5M		
Type V Wide	5W		
Backlight Control	BLC	BLC-90	BLC-270
LEED Corner Cutoff Optics ⁶		LCL	LCR

4. Luminaire door frame and optic assembly provided standard without glass lens. Specify CLR option for clear glass lens. See Options on page 2.

5. See pages 6 and 7 for information on optical rotation prior to ordering.

6. Available with 170LA or 260LA LED wattages only.





LED WATTAGE AND LUMEN VALUES

Ordering Code	Average System Watts ⁷	LED Current (mA)	LED Quantity - Dual LED Array		LED Selection	Luminaire Initial Absolute Lumens ^{8,9}				
			Per LED Array	Total LEDs		TYPE 2	TYPE 3	TYPE 4	TYPE 5M	TYPE 5W
110LA	110	350	48	96	NW	8,997 (s)	9,340 (s)	8,687	10,286 (s)	10,901(s)
140LA	140	350	64	128	NW	11,947 (s)	12,380 (s)	11,599 (s)	13,659 (s)	14,475 (s)
170LA	170	350	80	160	NW	14,749	15,204 (s)	14,320	16,863	17,870
160LA	160	530	48	96	NW	12,423 (s)	13,249 (s)	12,263	14,400 (s)	15,580
210LA	210	530	64	128	NW	16,496 (s)	17,593 (s)	16,330 (s)	19,122 (s)	20,638
260LA	260	530	80	160	NW	20,366	21,720	20,161	23,607	25,838

7. Wattage may vary by +/- 8% due to LED manufacturer forward volt specification and ambient temperature. Wattage shown is average for 120V through 277V input. Actual wattage may vary by an additional +/- 10% due to actual input voltage.
 8. Values shown are for luminaires without the CLR, DL or EHHS options. Tests are in process for configurations not shown. "(s)" following the value indicates that values are scaled from tests on similar, but not identical luminaire configurations. Contact Gardco.applications@philips.com if any approximate estimates are required for design purposes.
 9. Lumen values based on tests performed in compliance with IESNA LM-79.

LED SELECTION

- CW** Cool White - 5700°K - 75 CRI Nominal
- NW** Neutral White - 4000°K - 70 CRI Nominal
- WW** Warm White - 3000°K - 80 CRI Nominal

VOLTAGE

- UNIV** 120V through 277V, 50hz or 60hz
- HVU** 347V through 480V, 50hz or 60hz (High Voltage Universal)

FINISH

- BRP** Bronze Paint
- BLP** Black Paint
- WP** White Paint
- NP** Natural Aluminum Paint
- OC** Optional Color Paint
Specify Optional Color or RAL ex: OC-LGP or OC-RAL7024.
- SC** Special Paint
Specify. Must supply color chip.

OPTIONS

- F¹⁰** Fusing
- LF** In-Line/In-Pole Fusing
- BD¹¹** Bird Deterrent Spike Kit
- PC^{12,13,14}** Photocontrol and Receptacle
- PCR^{13,14}** Photocontrol Receptacle only
- PCB^{12,13,14}** Button Photocontrol
- EHHS** External Houseside Shield
- PTF2** Pole Top Fitter - 2 3/8" - 3" Dia. Tenon
- PTF3** Pole Top Fitter - 3" - 3 1/2" Dia. Tenon
- PTF4** Pole Top Fitter - 3 1/2" - 4" Dia. Tenon
- SPA1-2** Square Pole Adapter (for use with A1 or A2 Arms)
- SPA3** Square Pole Adapter (for use with A3 Arms)
- DL** Diffusing Lens (reduces performance significantly)
- CLR** Clear Glass Lens (reduces performance)
- POLY¹⁵** Polycarbonate Lens (reduces performance)
- SPR¹⁶** Surge Protection for 120V through 277V Input meeting ANSI C62.41.2
- SPRH¹⁶** Surge Protection for 347V through 480V Input meeting ANSI C62.41.2
- TB** Terminal Block
- TL** Provides for access to the LED arrays and driver without tools

10. Available with A1 arm or with MA mounting only. Provide specific input voltage.
 11. Kits consist of 25 injection molded plastic bird deterrent spikes. Field installation only.
 12. Not available in 480V. Provide specific input voltage.
 13. Available with A1 or A2 arms, or with MA mounting only.
 14. Not available in P32-DCC.
 15. Polycarbonate lenses feature a 1 year warranty only.
 16. Not available with Fusing (F) option.

ACCESSORIES (Ordered separately)

- MS-P** 120V or 277V Input - Pedestrian Motion Sensor for P32-MR50 (Motion Response) or P32-APD-MRO (Automatic Profile Dimming with Motion Response Override)
- MS-A-120V** 120V Input - Area Motion Sensor for P32-MR50 (Motion Response) or P32-APD-MRO (Automatic Profile Dimming with Motion Response Override)
- MS-A-277V** 277V Input - Area Motion Sensor for P32-MR50 (Motion Response) or P32-APD-MRO (Automatic Profile Dimming with Motion Response Override)

Motion Sensors are ordered separately, with one (1) motion sensor required per pole location for P32-MR50 or P32-APD-MRO luminaires. See Luminaire Configuration Information on page 4-5 for more details. Pedestrian sensor color is white. Area motion sensor color is Arctic White.

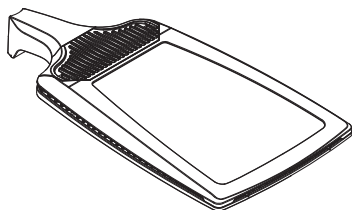
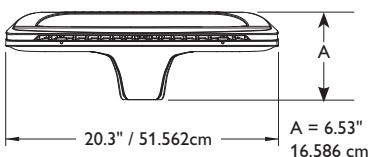
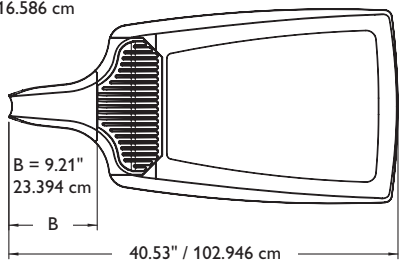


DIMENSIONS AND EPA

A1 STANDARD ARM MOUNT



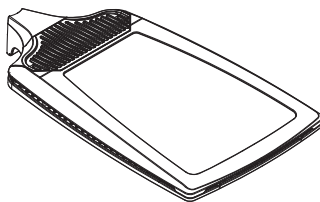
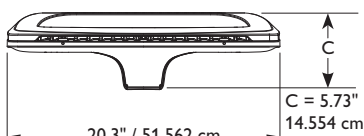
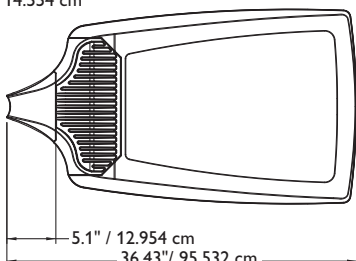
A = 6.53"
16.586 cm



A2 SHORT ARM MOUNT



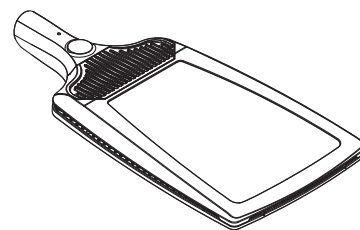
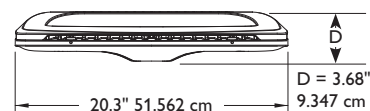
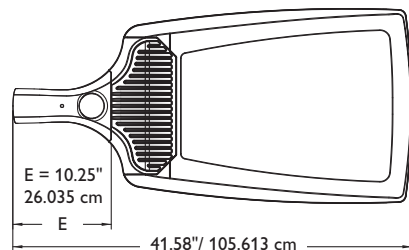
C = 5.73"
14.554 cm



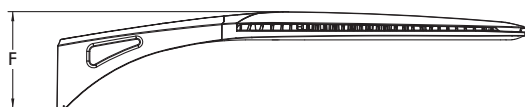
MA MAST ARM MOUNT



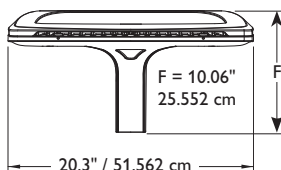
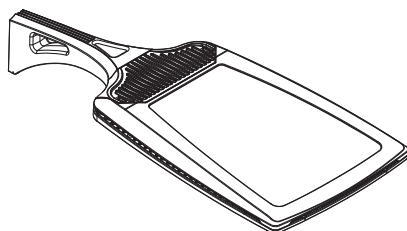
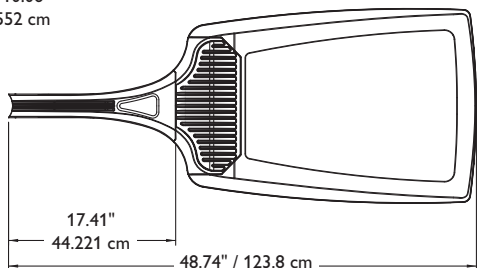
D = 3.68"
9.347 cm



A3 DECORATIVE ARM MOUNT

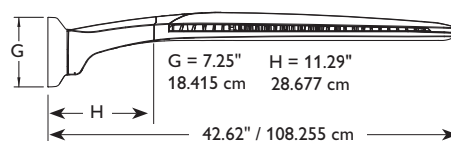


F = 10.06"
25.552 cm

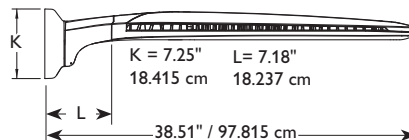


WALL MOUNT

WITH A1 STANDARD ARM



WITH A2 SHORT ARM



Single Luminaire Weight	
Mounting	Approximate Weight
A1	57 lbs / 25.865 kg
A2	56 lbs / 25.402 kg
A3	60.5 lbs / 27.443 kg
MA	57 lbs / 25.865 kg
W or WS	58 lbs / 26.309 kg

Effective Projected Area ft ² / m ²			
Mounting	Single	Twin @ 180	3/4
A1	0.40 / 0.038	0.80 / 0.075	1.65 / 0.154
A2	0.35 / 0.033	0.70 / 0.066	1.45 / 0.135
A3	0.55 / 0.052	1.10 / 0.103	2.0 / 0.186
MA	0.40 / 0.038	N/A	N/A

1611 Clovis Barker Road, San Marcos, TX 78666

(800) 227-0758 (512) 753-1000 FAX: (512) 753-7855 sitelighting.com

© 2012 Koninklijke Philips Electronics N.V. All Rights Reserved.

Philips Gardco reserves the right to change materials or modify the design of its product without notification as part of the company's continuing product improvement program.

G200-036/1012

PHILIPS





LUMINAIRE CONFIGURATION INFORMATION (CONTINUED ON PAGE 5)

P32: Philips Gardco PureForm LED standard luminaire providing constant wattage and constant light output when power to the luminaire is energized.

P32-DCC: Philips Gardco PureForm luminaires provided with dual circuiting, permitting separate switching of each led array.

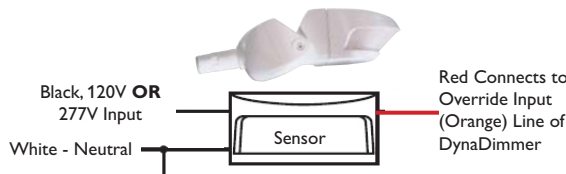
P32-DIM: Philips Gardco PureForm LED luminaire provided with 0 -10V dimming for connection to a control system provided by others.

P32-MR50: Philips Gardco PureForm LED luminaire with motion response, providing a 50% power reduction on low and a commensurate reduction in light output. The power and light output reduction is accomplished utilizing the Philips DynaDimmer module, programmed for a constant 50% power. Power supplied by the motion sensor connected to the override line on the DynaDimmer takes the luminaire to high setting, 100% power and light output, when motion is detected. The luminaire remains on high until no motion is detected for the motion sensor duration period, after which the luminaire returns to low. Duration period is factory set at 15 minutes, and is field adjustable from 5 minutes up to 15 minutes.

This configuration is not available for use with wall mounted luminaires.

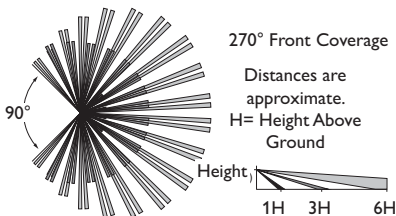
P32-MR50 is available in 120V through 277V input only to the luminaire. Motion sensors require single voltage 120V or 277V input.

The Area PIR motion sensor is the WattStopper EW-200-120-W (120V Input - MSA-120V) or the WattStopper EW-200-277-W (277V Input - MSA-277V). One motion sensor per pole is required and is ordered separately. Area sensors require single voltage 120V or 277V input.

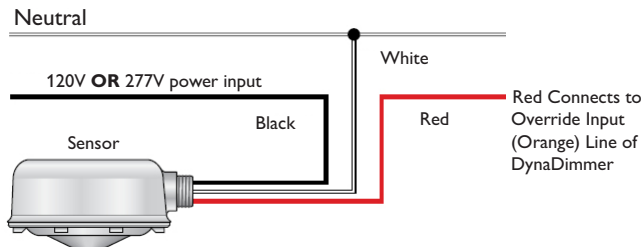


The area motion detector provides coverage equal to up to 6 times the sensor height above ground, 270° from the front-center of the sensor.

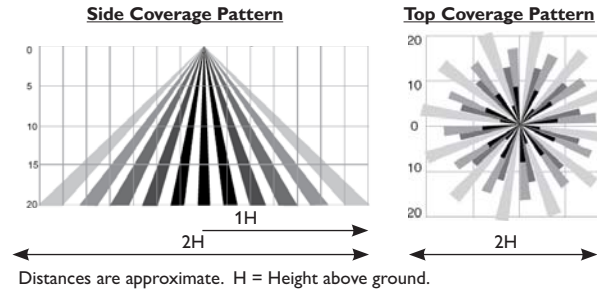
Area PIR Motion Sensor Coverage Pattern:



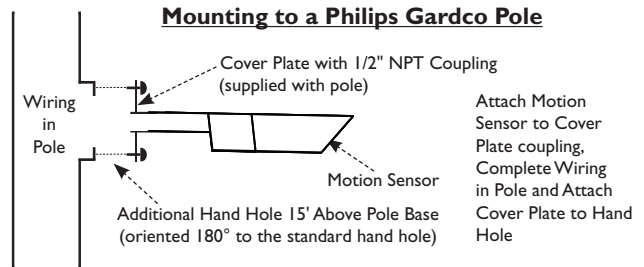
The Pedestrian PIR motion sensor is the WattStopper HB350W-L3. One motion sensor per pole is required and is ordered separately as the MS-P accessory, see page 2. The Pedestrian sensor accept 120V or 277V input.



The pedestrian motion detector provides coverage equal to the sensor height above ground, in all directions from the sensor (360°). For longer range detection applications, The area motion sensor is recommended.



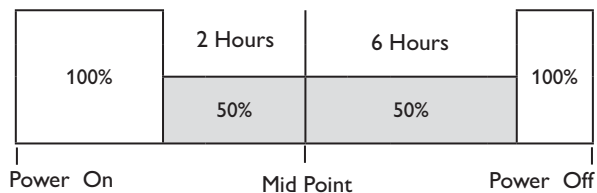
Motion response requires that the pole include an additional hand hole 15 feet above the pole base, normally oriented 180° to the standard hand hole. For Philips Gardco poles, order the pole with the Motion Sensor Mounting (MSM) option which includes the hand hole and a special hand hole cover plate for the sensor with a 1/2" NPT receptacle centered on the hand hole cover plate into which the motion sensor mounts. Once the motion sensor is connected to the hand hole cover plate, then wiring connections are completed in the pole. The plate (complete with motion sensor attached and wired) is then mounted to the hand hole. **If poles are supplied by others, the customer is responsible for providing suitable mounting accommodations for the motion sensor in the pole.**



P32-APD: Philips Gardco PureForm LED luminaire with Automatic Profile Dimming. Luminaire is provided with a programmable LED Driver. The programmable LED Driver is programmed to go to 50% power, 50% light output two (2) hours prior to night time mid-point and remain at 50% for six (6) hours after night time mid-point. Mid-point is continuously recalculated by the programmable LED Driver based on the average mid-point of the last two full night cycles. Short duration cycles, and power interruptions are ignored and do not affect the determination of mid-point.

P32-APD is available in 120V through 277V input only.

P32-APD Dimming Profile:



The P32-APD offers many of the advantages of a sophisticated control system, including an average energy savings of at least 33% versus constant wattage, constant light output systems, without the need for a control system.



LUMINAIRE CONFIGURATION INFORMATION (CONTINUED FROM PAGE 4)

P32-APD-MRO: Philips Gardco PureForm LED luminaire with Automatic Profile Dimming, with Motion Response Override. The P32-APD-MRO combines the benefits of both automatic profile dimming and motion response, using the Philips DynaDimmer module. The luminaire will dim to 50% power, 50% light output, per the dimming profile shown for the P32-APD. If motion is detected during the time that the luminaire is operating at 50%, the luminaire returns to 100% power and light output. The luminaire remains on high until no motion is detected for the duration period, after which the luminaire returns to low. Duration period is factory set at 15 minutes, and is field adjustable from 5 minutes up to 15 minutes.

This configuration is not available for use with wall mounted luminaires.

P32-APD-MRO is available in 120V through 277V input only to luminaire. The motion sensor requires either 120V or 277V input to the motion sensor.

The P32-APD-MRO has the same pole requirements and utilizes the same motion sensors as the P32-MR50. The motion sensor mounts and wires identically as well. The P32-APD-MRO utilizes the identical dimming profile as shown for the P32-APD.

By combining the benefits of automatic profile dimming and motion response, the P32-APD-MRO assures maximum energy savings, and insures that adequate light is present if motion is detected.

Note: All motion sensors utilized consume 0.0 watts in the off state.

SPECIFICATIONS

GENERAL DESCRIPTION: Philips Gardco PureForm luminaires combine LED performance excellence and advanced Gardco LED thermal management technology with a distinct purity of style to provide outdoor area lighting that is both energy efficient and aesthetically pleasing. PureForm is defined by its high performance, sleek low profile design and rugged construction. The die cast aluminum housing mounts directly to a pole or wall, and has a maximum profile of just 3". All LED wattages utilize high performance Class 1 LED systems. The luminaire features a state of the art integral thermal control system to maximize LED performance and life, and to extend component life. The door frame is die cast aluminum. Luminaires are finished with a fade and abrasion resistant TGIC powdercoat. PureForm luminaires are available in a wide variety of mountings and arms.

HOUSING: The PureForm features a die cast aluminum housing, and mounts directly to a pole or wall. The low profile rounded form reduces the effective projected area of the luminaire significantly.

PureForm luminaires supplied with A1, A2 and A3 arms are provided with arms firmly attached to the main luminaire housing body. As a result, the luminaires provide the functionality, strength and installation ease of an integral arm luminaire.

Mast arm mount luminaires are provided with the mast arm mounting assembly firmly attached to the main luminaire housing body.

IP RATING: PureForm luminaires have a rating of IP66.

VIBRATION RESISTANCE: PureForm carries a 3G vibration rating that conforms to standards set forth by ANSI C136.31. Testing includes vibration to 3G acceleration in three axes, all performed on the same luminaire.

OPTICAL SYSTEMS: The advanced LED optical systems provide IES Types II, III, IV and V distributions, as well as a Backlight Control optic. Special LEED corner cutoff optics are also available, both as LCR (right) and LCL (left.) All optical systems feature unitized lens optic construction.

Types 2, 3, 4, BLC and LCR/LCL optical systems utilize an innovative redirecting reflector system to complement the performance of the LED optic. The redirecting reflector system includes a black surrounding surface to minimize aperture brightness when viewed from the rear of the luminaire.

PureForm luminaires are provided standard without a glass lens, for maximized performance. A glass lens is available as an option, resulting in reduced performance. All PureForm luminaires provide full cutoff performance.

LED RELIABILITY:

PREDICTED LUMEN DEPRECIATION DATA		
Ambient Temperature °C	Driver mA	L ₇₀ Hours ¹⁷
25 °C	350 mA	240,000
	530 mA	165,000
40 °C	350 mA	215,000
	530 mA	148,000

17. Predicted performance derived from LED manufacturer's data and engineering design estimates, based on IESNA LM-80 methodology. Actual experience may vary due to field application conditions. L₇₀ is the predicted time when LED performance depreciates to 70% of initial lumen output.

THERMAL MANAGEMENT: The Philips Gardco PureForm LED provides die cast aluminum integral thermal radiation fins to provide the excellent thermal management so critical to long LED system life.

ELECTRICAL: Luminaires are equipped with an LED driver that accepts 120V through 277V, or 347V through 480V, 50hz to 60hz, input. Driver output is based on the LED wattage selected. Component-to-component wiring within the luminaire will carry no more than 80% of rated current and is listed by UL for use at 600 VAC at 302°F / 150°C or higher. Plug disconnects are listed by UL for use at 600 VAC, 15A or higher. Power factor is not less than 90%. Luminaire consumes 0.0 watts in the off state. All motion sensors utilized consume 0.0 watts in the off state.

FINISH: Each standard color luminaire receives a fade and abrasion resistant, electrostatically applied, thermally cured, triglycidal isocyanurate (TGIC) textured polyester powdercoat finish. Standard colors include bronze (BRP), black (BLP), white (WVP), and natural aluminum (NP). Consult factory for specs on optional or custom colors.

LABELS: All luminaires bear UL or CUL (where applicable) Wet Location labels.

WARRANTY: Philips Gardco luminaires feature a 5 year limited warranty. Philips Gardco LED luminaires with LED arrays feature a 5 year limited warranty covering the LED arrays. LED Drivers also carry a 5 year limited warranty. Motion sensors are covered by warranty for 5 years by the motion sensor manufacturer. See Warranty Information on www.sitelighting.com for complete details and exclusions. Polycarbonate lenses carry a 1 year warranty.

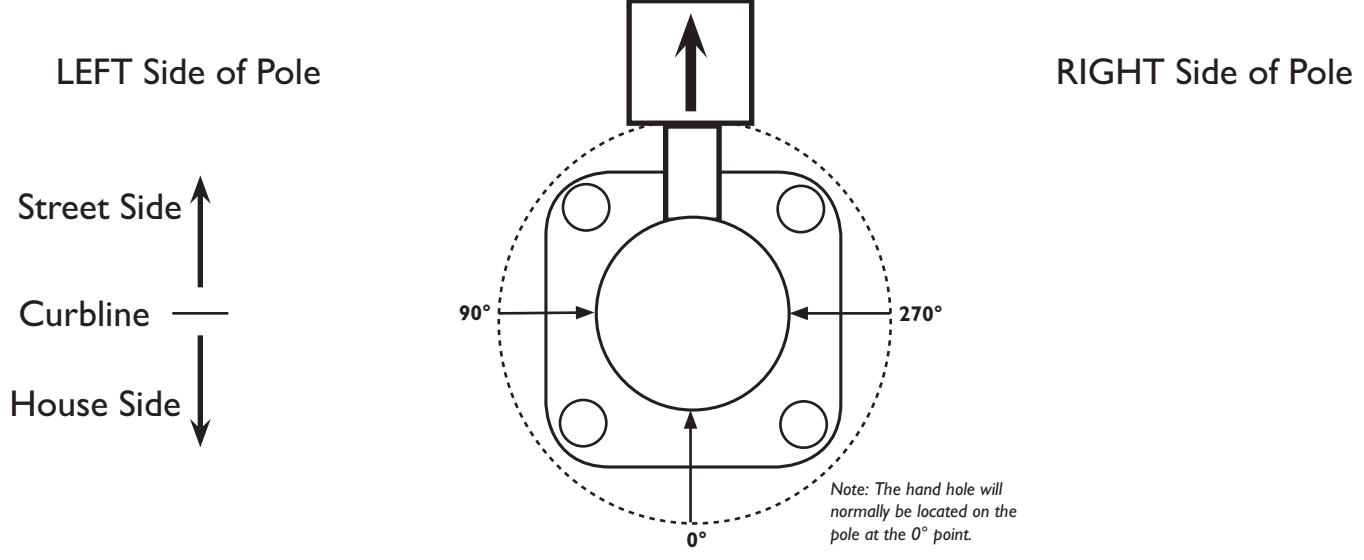
FULL CUTOFF PERFORMANCE: Full cutoff performance means a luminaire distribution where zero candela intensity occurs at an angle at or above 90° above nadir. Additionally, the candela per 1000 lamp lumens does not numerically exceed 100 (10 percent) at a vertical angle of 80° above nadir. This applies to all lateral angles around the luminaire.



ASYMMETRIC OPTICAL ORIENTATION INFORMATION (CONTINUED ON PAGE 7)

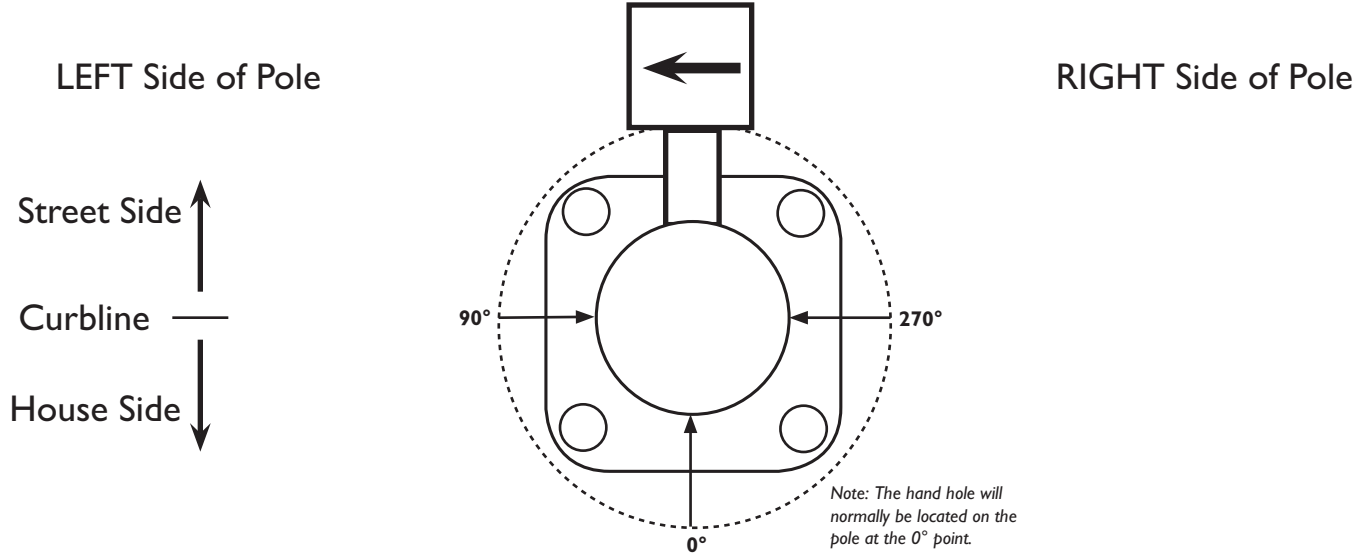
STANDARD OPTIC POSITION:

Luminaires ordered with asymmetric optical systems in the standard optic position will have the optical system oriented as shown below:



OPTIC ROTATED LEFT (90°) OPTIC POSITION:

Luminaires ordered with asymmetric optical systems in the **OPTIC ROTATED LEFT (90°)** optic position will have the optical system oriented as shown below:

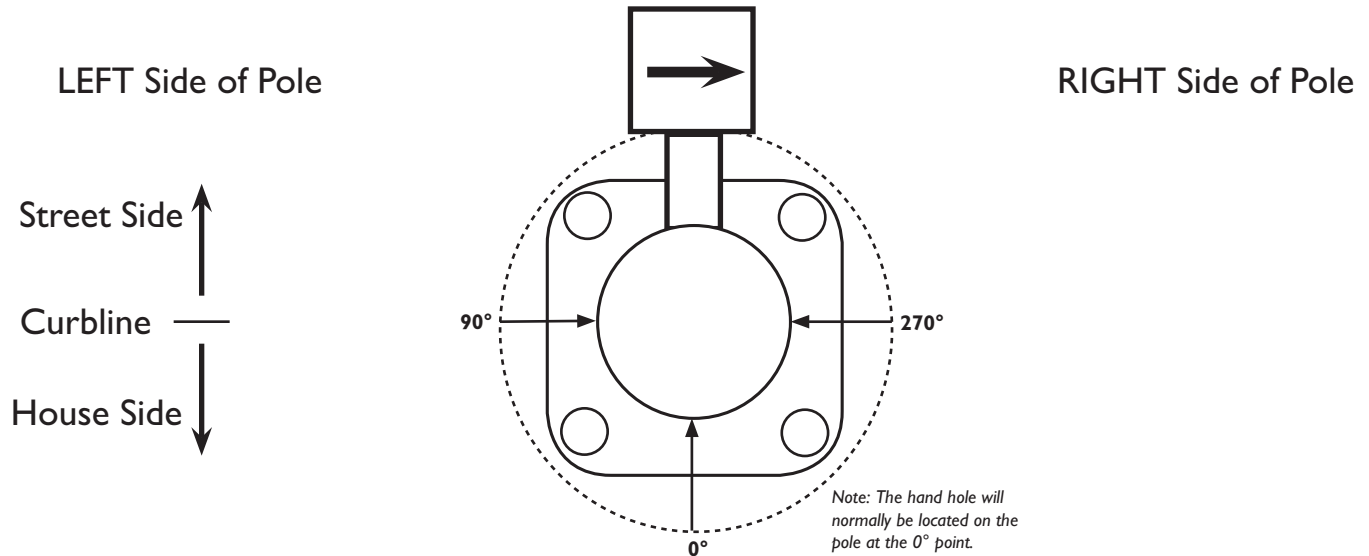




ASYMMETRIC OPTICAL ORIENTATION INFORMATION (CONTINUED FROM PAGE 6)

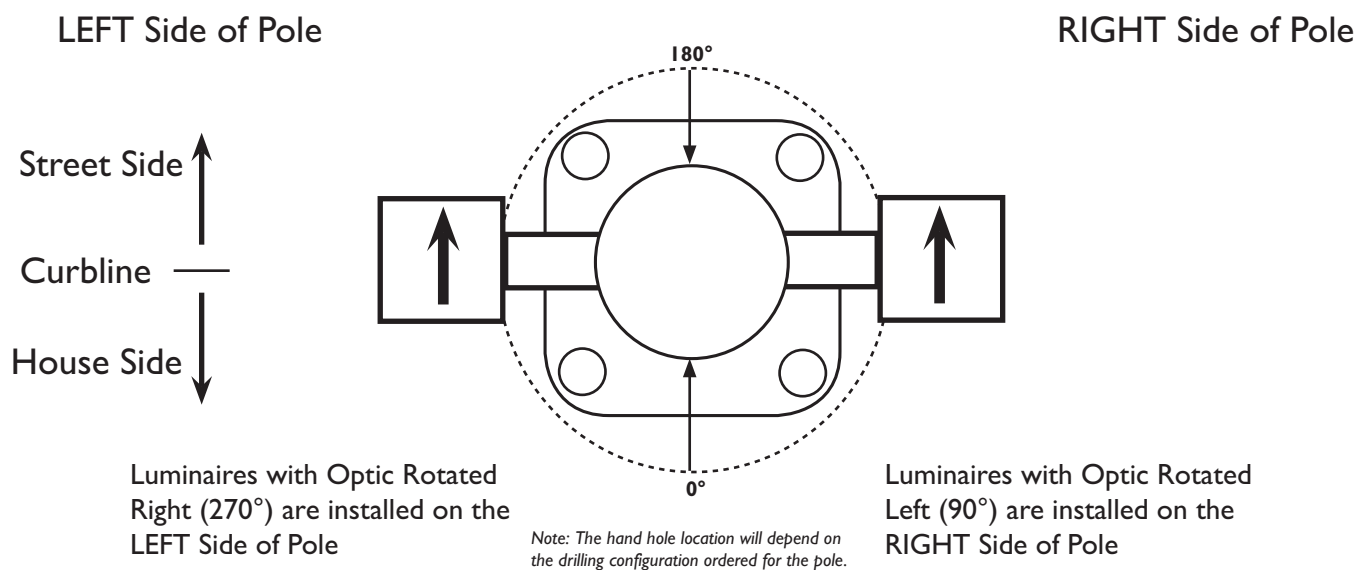
OPTIC ROTATED RIGHT (270°) OPTIC POSITION:

Luminaires ordered with asymmetric optical systems in the **OPTIC ROTATED RIGHT (270°)** optic position will have the optical system oriented as shown below:



TWIN LUMINAIRE ASSEMBLIES WITH ROTATED OPTICAL SYSTEMS:

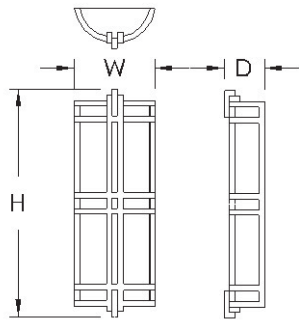
Twin luminaire assemblies installed with rotated optical systems are an excellent way to direct light toward the interior of the site (Street Side) without additional equipment. It is important, however, that care be exercised to insure that luminaires are installed in the proper location.



S9292-2FP28-GS



DIMENSIONS				MC	BASE MODEL NO.	ADD LAMP CODE	ADD FINISH CODE
W	H	D					



15"	30"	7-1/2"	15"	S9290	2CF40 2FP14	BA, PT
15"	42"	7-1/2"	21"	S9291	2FP21	
15"	54"	7-1/2"	26"	S9292	2FP28	



ORDERING INFORMATION

Order as a Complete Unit: Model No. + Lamp Code + Finish Code + Option Code + Voltage

TECHNICAL SPECIFICATIONS

Ballast: High Power Factor, Electronic, 120/277

Mounting: Wall Sconces Mount to a 4" Octagonal Electrical Box (by others) with a universal Strap and Hardware Provided; Fixture Mounting Center (MC) Dimension is Measured from Top of Fixture to Center of Electrical Box

FINISHES

BA Brushed Aluminum

PT Painted Finishes – (Specify Color Code from Our Standard Finish Chart)

OPTIONS

EM Emergency Battery Pack with Fluorescent Lighting (Remote)

LAMPING

CF40 = 40 Watt Biax Compact Fluorescent Electronic, 2G11 Base

FP14 = 14 Watt Mini Bi-Pin, T5

FP21 = 21 Watt Mini Bi-Pin, T5

FP28 = 28 Watt Mini Bi-Pin, T5

FEATURES

- Opal Acrylic Lens
- Solid Aluminum Bar Stock Material
- Stainless Steel Fastener
- UL Listed for Wet Location