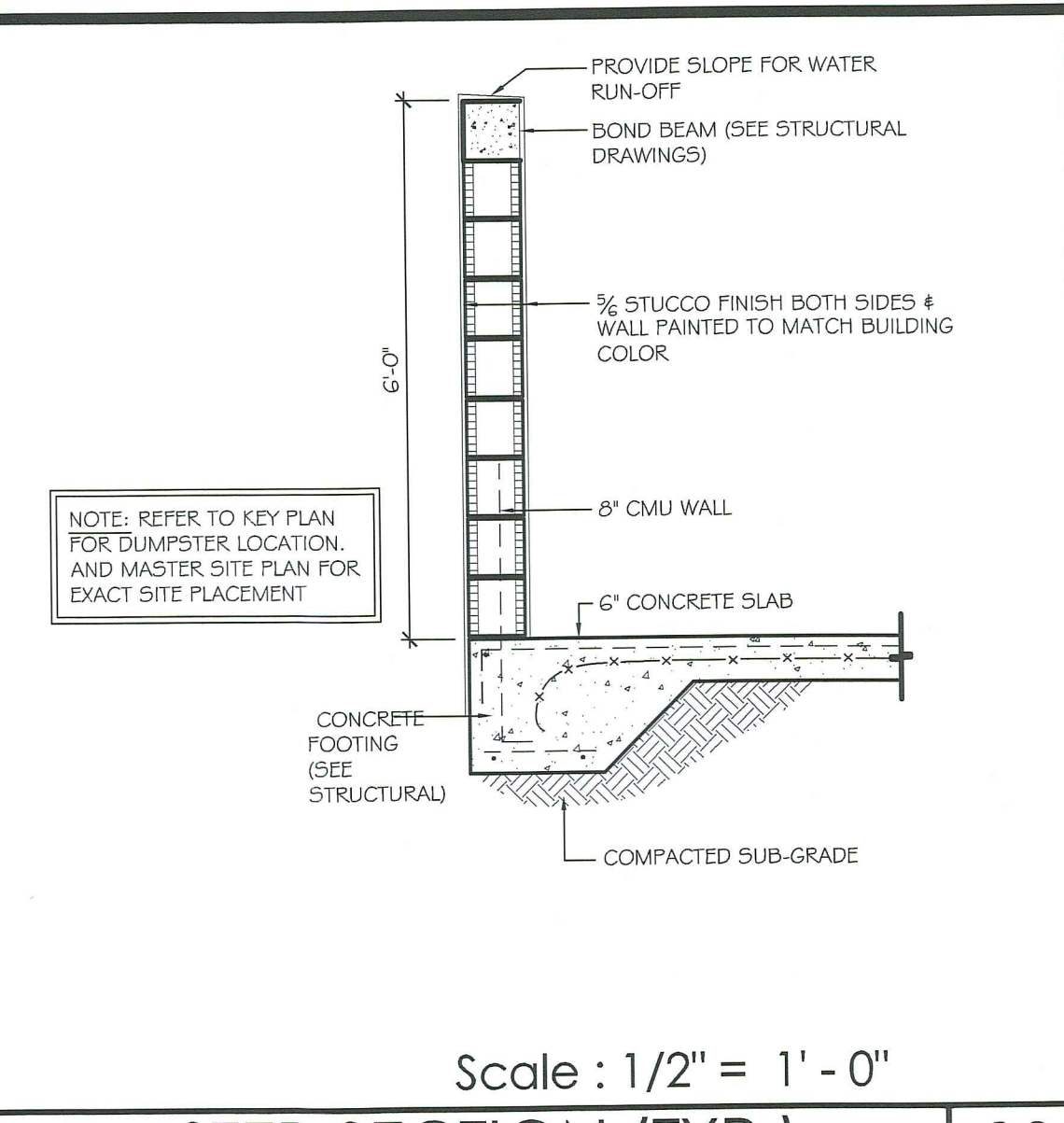


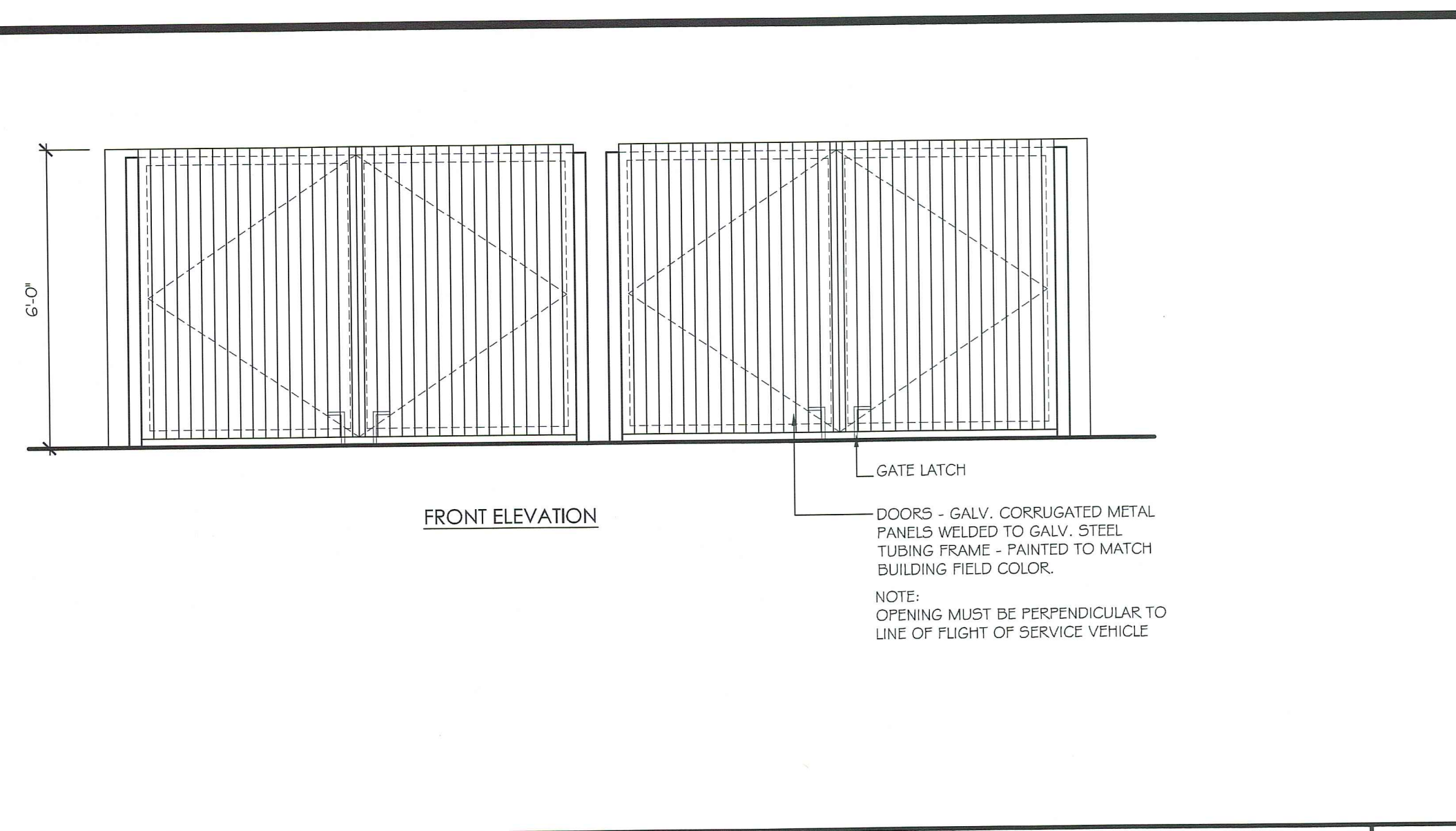
DRAWING ISSUE DATES:

SITE DETAILS

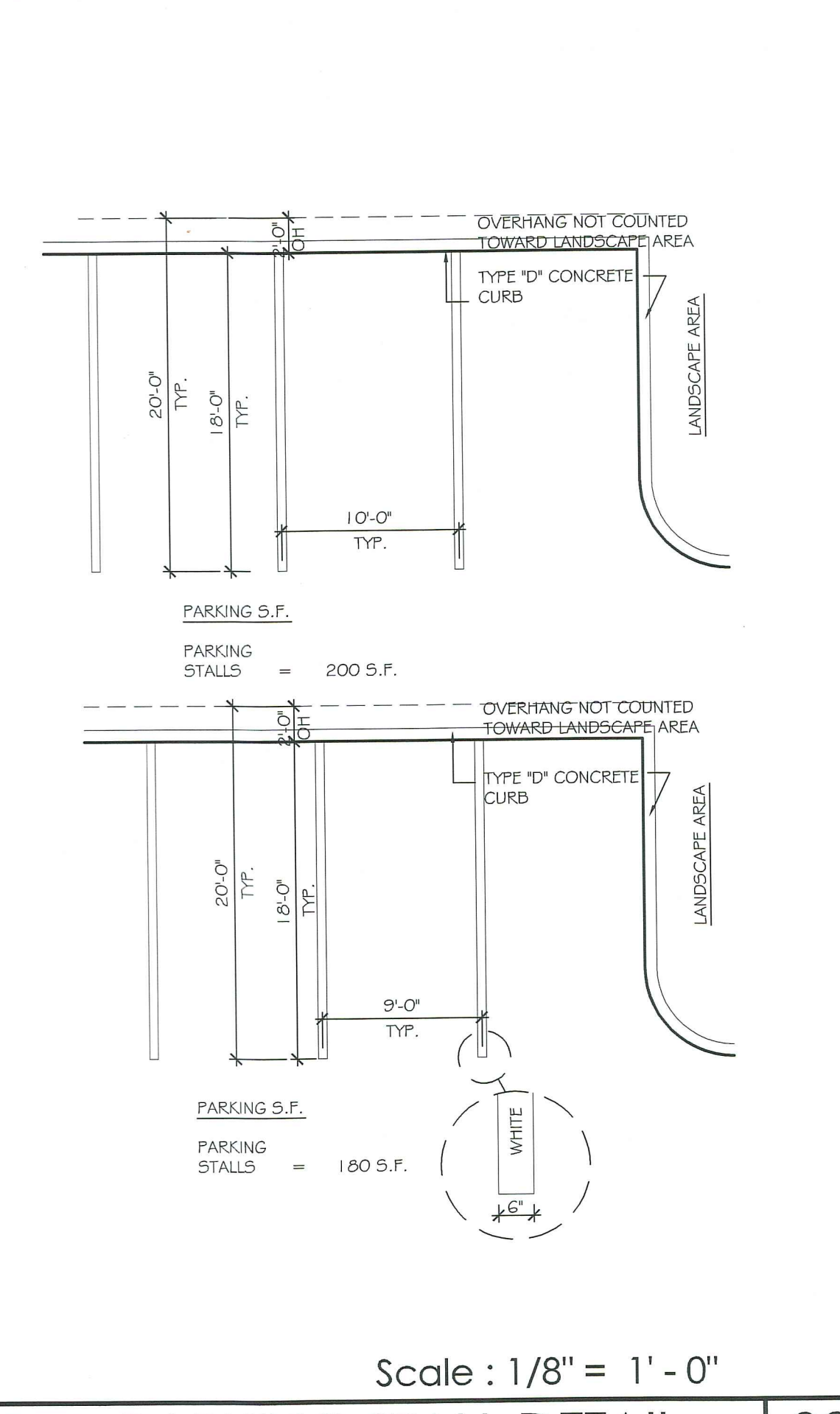
SHEET
A-1.2
 PROJECT 130218
 DATE 03-26-13
 PERMIT NO.



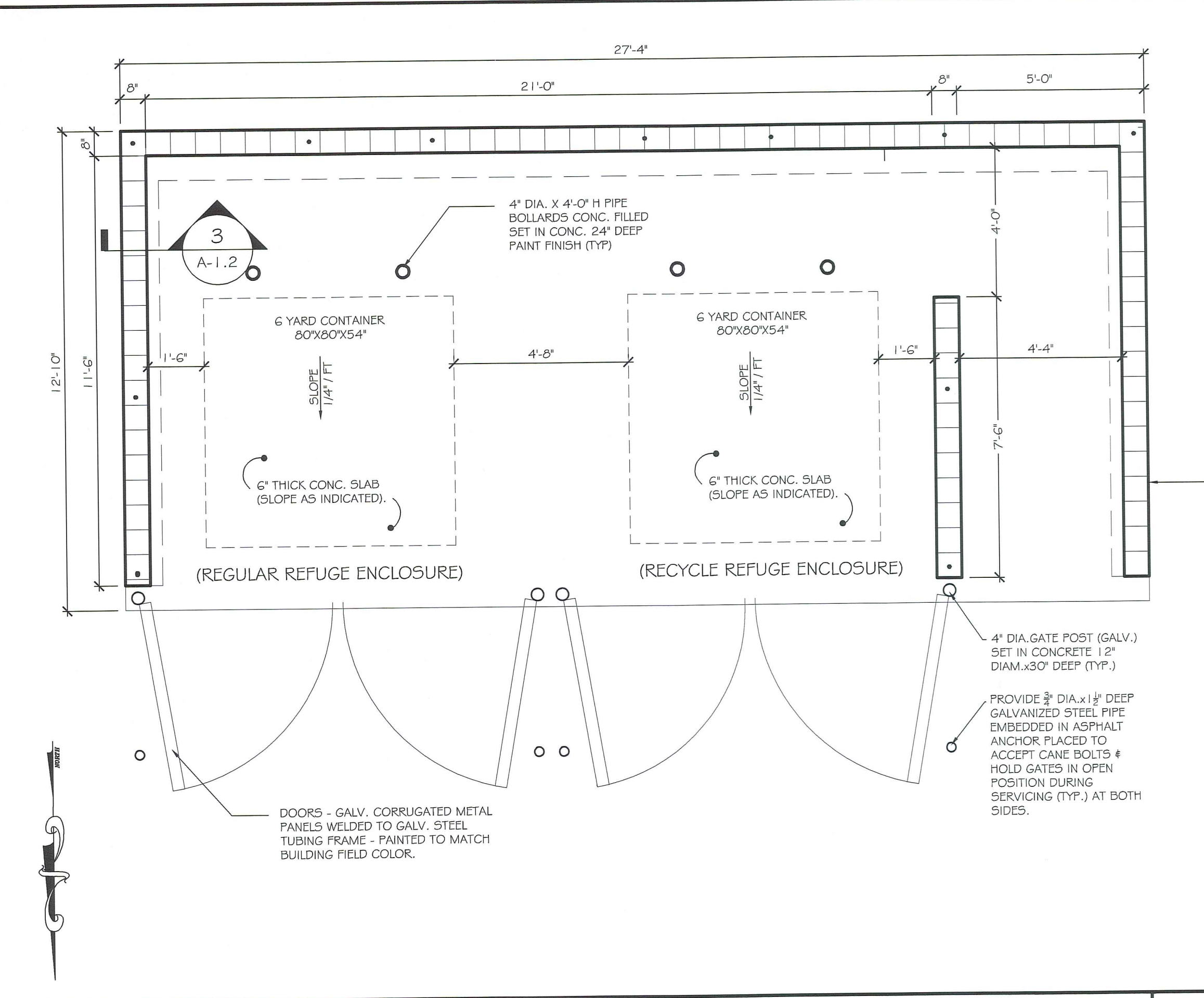
DUMPSTER SECTION (TYP.) 03



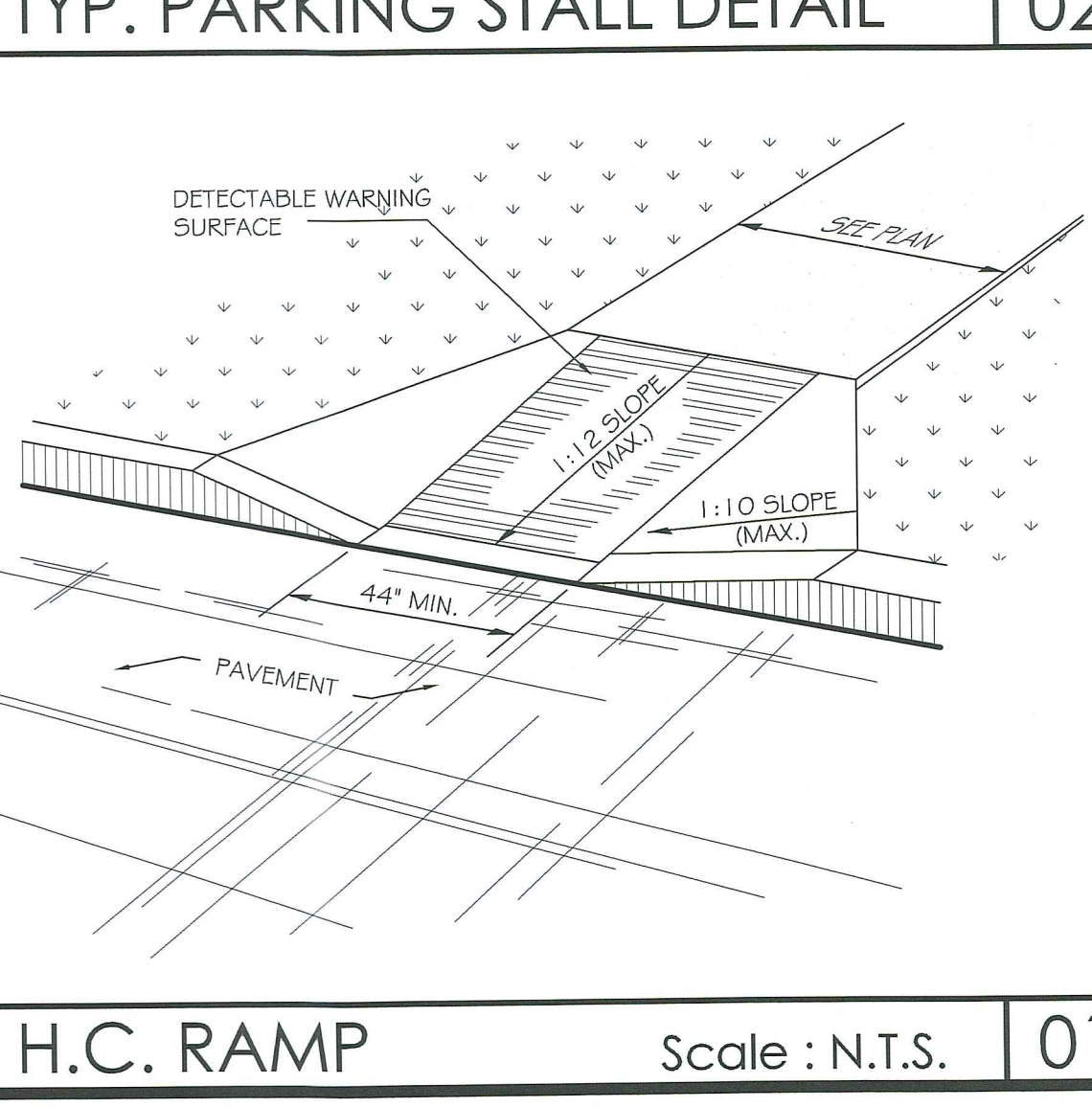
DUMPSTER ELEVATION 06



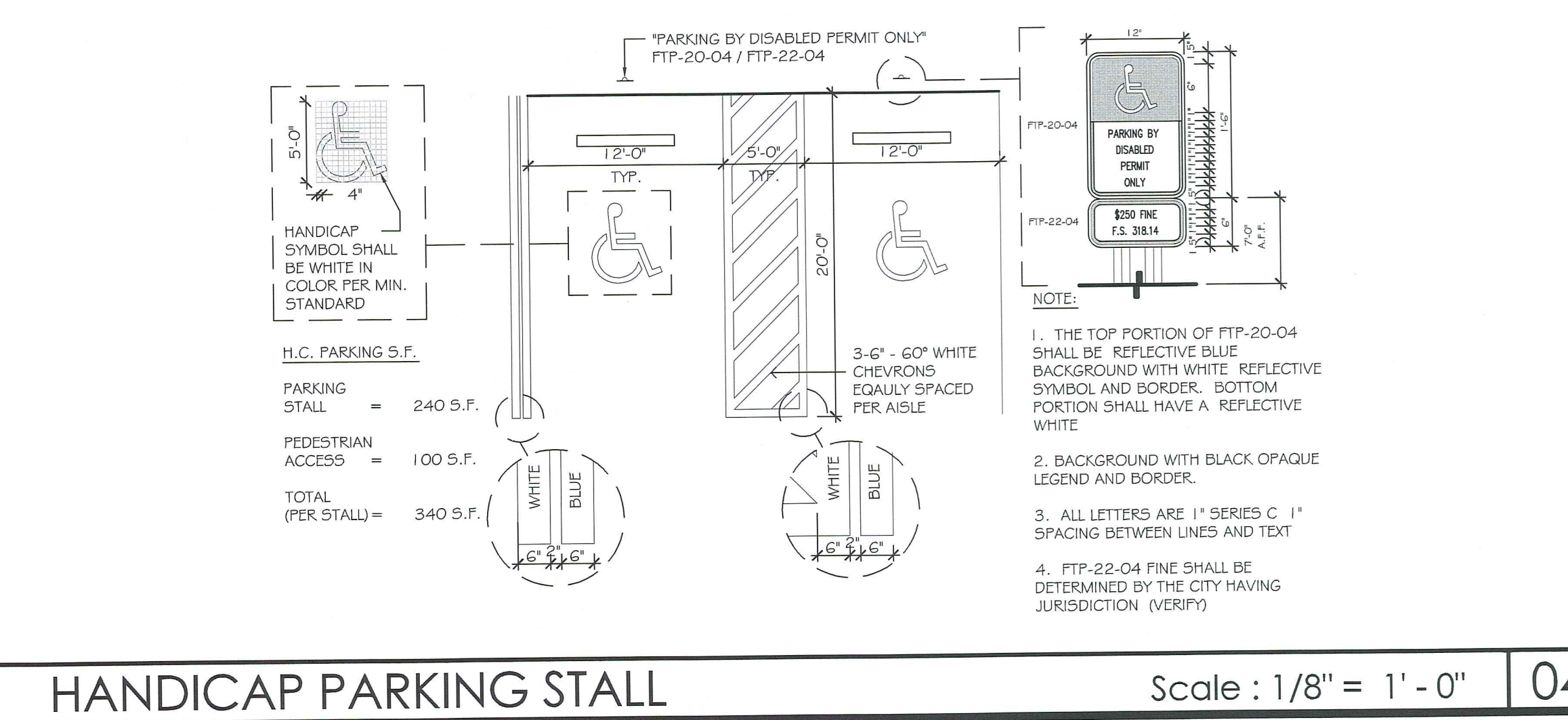
TYP. PARKING STALL DETAIL 02



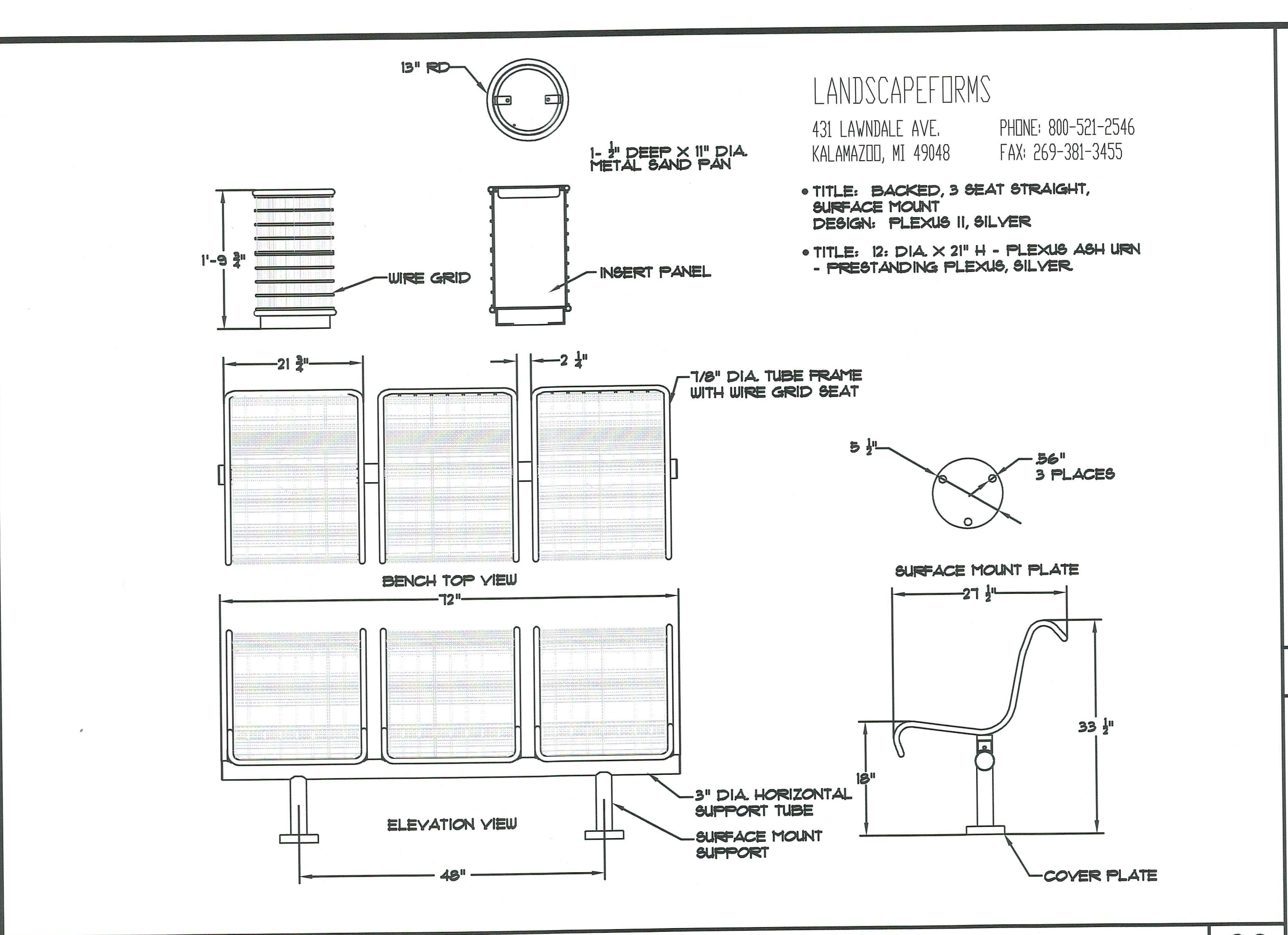
DUMPSTER ENCLOSURE 05



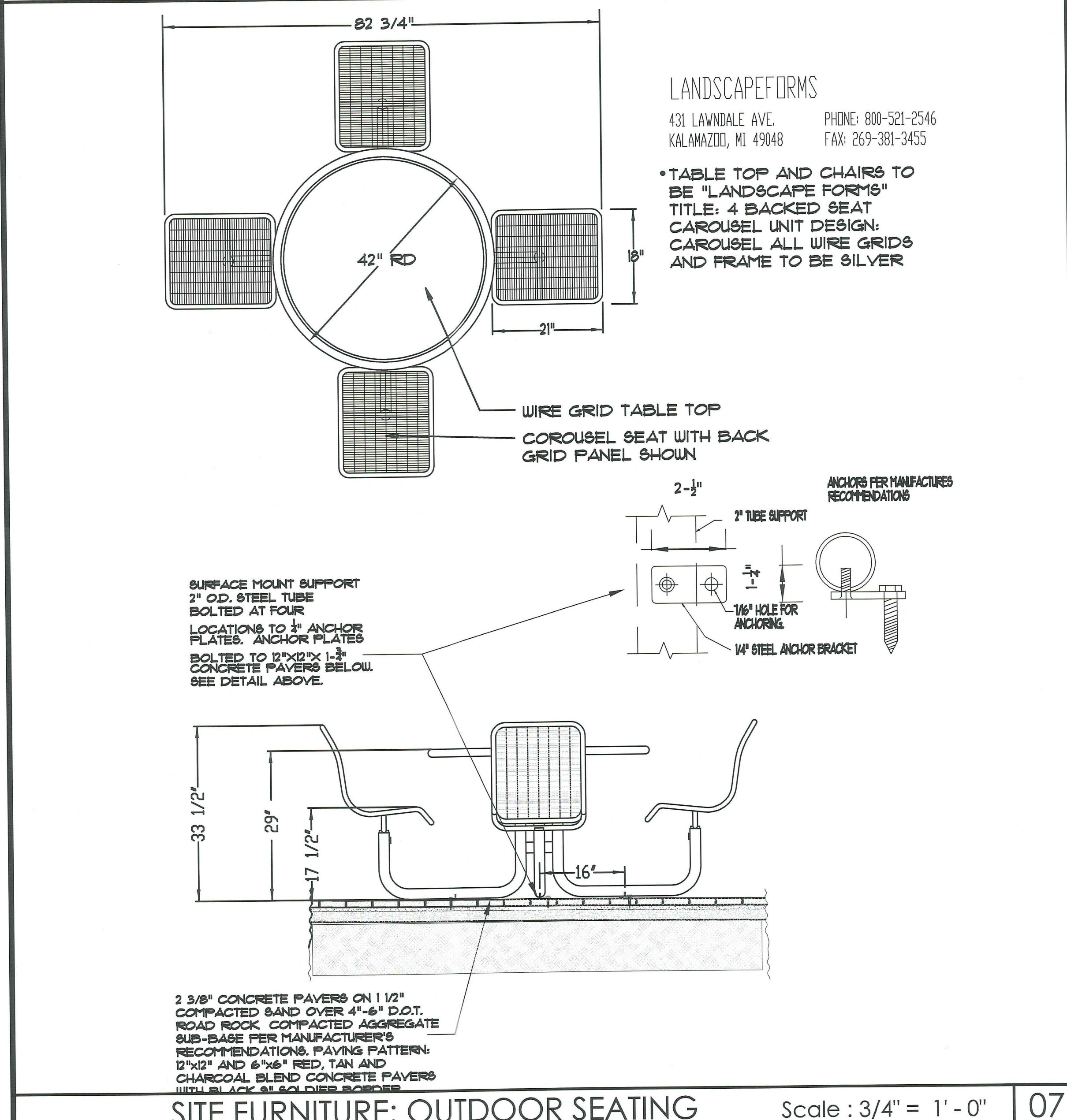
H.C. RAMP 01



HANDICAP PARKING STALL 04



SITE FURNITURE: OUTDOOR BENCH & URN 08



SITE FURNITURE: OUTDOOR SEATING 07