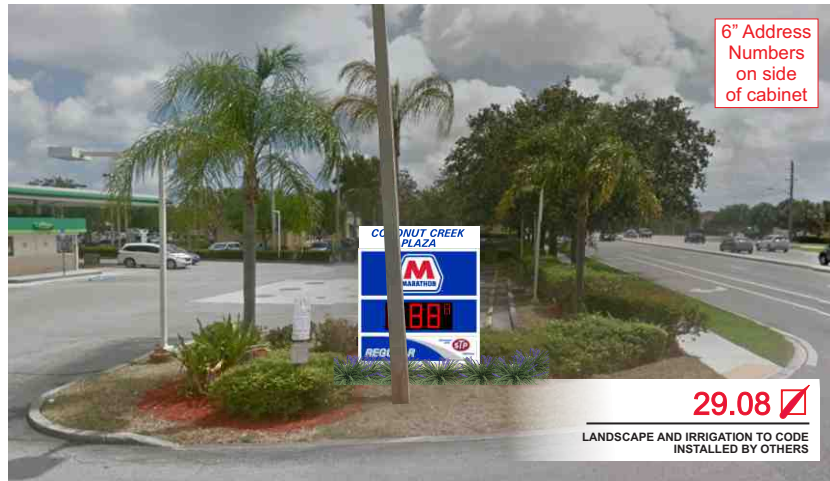


# MONUMENT SIGN

## EXISTING LOCATION

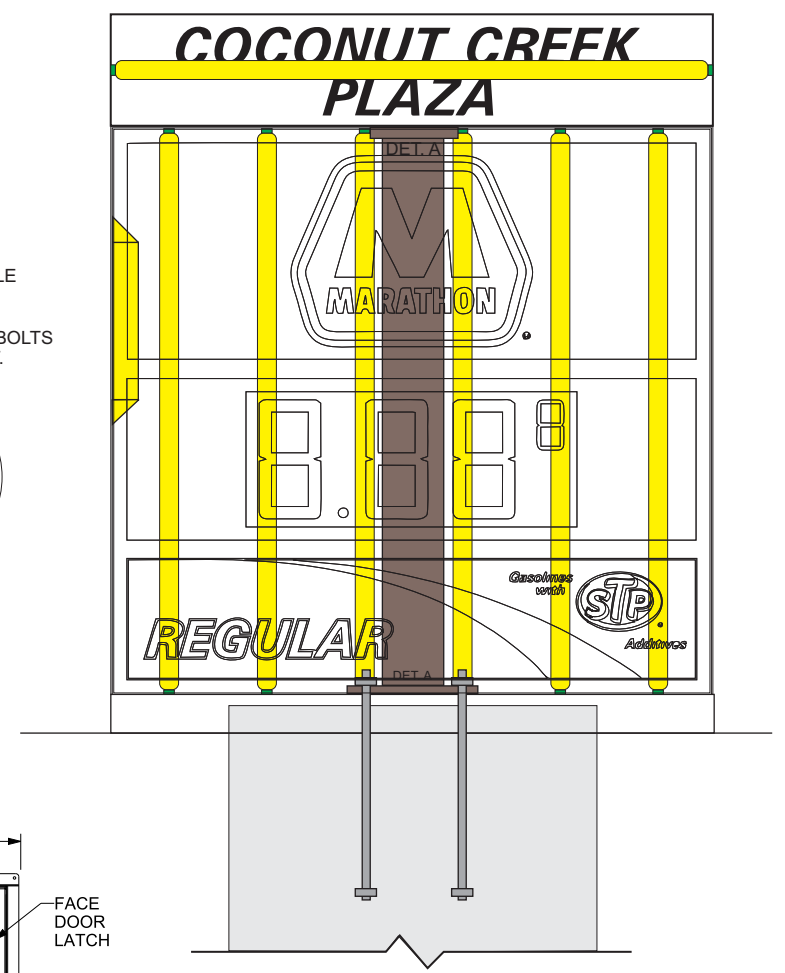
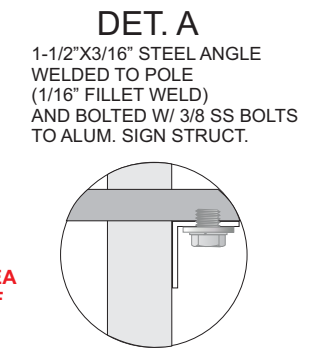
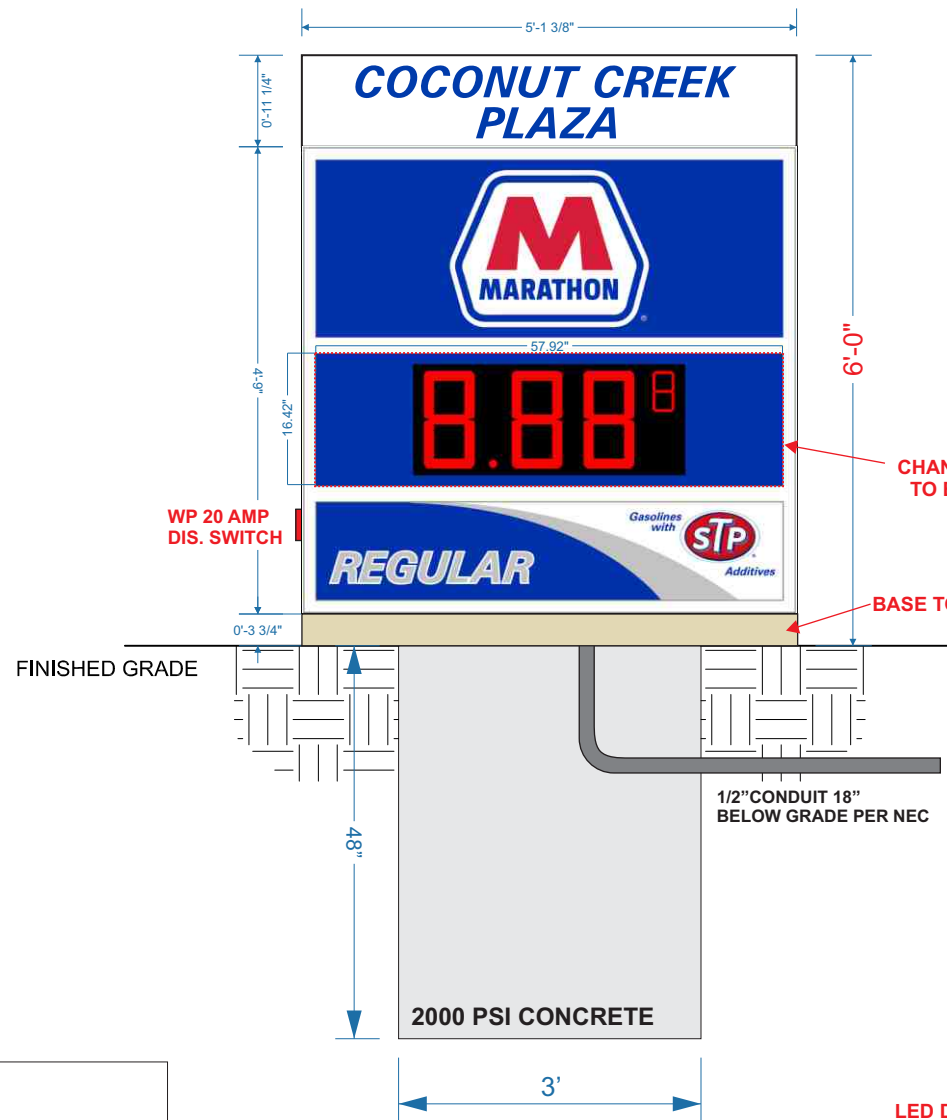


## PROPOSED SIGN

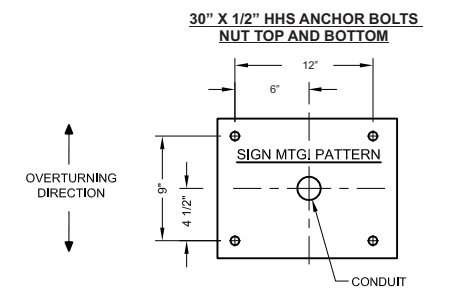
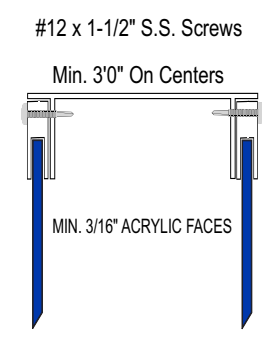


Proposed Scope: Install New Mon. Sign and Footer

INTERNALLY ILLUMINATED  
PERMANENTLY OPAQUE SIGN FACES ONLY COPY TO BE ILLUMINATED  
(SIDES AND RETURNS PERMANENTLY OPAQUE)



LED DIGITAL SIGNS ARE EQUIPPED WITH A LIGHT SENSOR AND FACTORY SET TO A MAXIMUM BRIGHTNESS OF .3 FOOT CANDLES ABOVE AMBIENT LIGHT (MEASURED 250 FEET PERPENDICULAR FROM THE FACE OF THE SIGN)



### ELECTRICAL NOTES ILLUMINATED CABINETS

Primary wire size - #12 THWN  
 Disconnect switch - at base of sign, 20 amp single pole, timeclock at panel room  
 Maximum load - 16 amps 120 volts per circuit maximum circuit size 20 amps per NEC 600-6A  
 Ballast - Universal H.O. or equiv.  
 Lamps - G.E. High output daylight or equiv. sizes vary with cabinet dimensions  
 Sockets - Kulka 5843 H.O. or equiv.  
 Conduit - minimum 1/2"  
 Total sign load - 20 amps 120 volts  
 Total sign circuits - 2  
 All components shall be U.L. approved  
 Ballasts shall have independent U.L. approval (fused where required)  
 All installations shall be in compliance with N.E.C. and state, county, or local codes  
 All signs shall be bonded to building equipment bonding conductor per N.E.C. 250

LED Fixture Specs	
FEATURE	
DIGIT HEIGHT	12"
DIGIT LED COLOR	RED
CABINET COLOR	SEMI-GLOSS BLACK
SERVICE ACCESS	FRONT ONLY
CABINET MATERIAL	0.050 [1.3] ALUMINUM SHEET
EST. WEIGHT	10 LB [5 KG]
MAX. OPER. TEMP.	120°F [49°C]
PRIMARY VOLTS	100V - 240V AC
MAX. POWER	30 W



1740 HILL AVENUE  
 WEST PALM BEACH, FL.  
 33407  
 561-840-6382  
 (FAX) 561-840-6385

**CUSTOMER:**  
 MARATHON  
 4811 COCONUT CREEK PKWAY,  
 COCONUT CREEK, FL 33063

**SALES PERSON:**  
 STEPHEN KEMP  
 DRAWN BY: RYAN PARENTE  
 SCALE: AS NOTED

**DATE DRAWN:**  
 07.26.16



<b>REVISION:</b>	
#1 00.00.00	
#1 00.00.00	
#1 00.00.00	
#1 00.00.00	
<b>CUSTOMER APPROVAL:</b>	
<input checked="" type="checkbox"/>	<b>DATE:</b>
<input checked="" type="checkbox"/>	<input type="checkbox"/>
<b>SHEET #102</b>	