

**M.O.P.S.**

**MOPS PUMP STATION SCHEDULE**

MOPS SERIES	ITEM	DESCRIPTION	QTY.	MODEL DESIGNATION
PRIMARY DESIGN FLOW (G.P.M.)	1850	100 YEAR FLOOD ELEVATION	N/A	
PRIMARY DESIGN HEAD (T.D.H.)	10' - 15'	25 YEAR FLOOD ELEVATION	N/A	
SECONDARY DESIGN FLOW (G.P.M.)	N/A	A GRADE ELEVATION	12.6	
SECONDARY DESIGN HEAD (T.D.H.)	N/A	B TOP ELEVATION OF WET WELL	12.6	
RATED PERFORMANCE SPEED	3500	C BOTTOM ELEVATION OF WET WELL	-1.50	
RATED MOTOR HORSEPOWER (NOTE #5)	7.5	D ALL PUMPS OFF ELEVATION	02.50'	
SUBMERSIBLE PUMP TYPE (P-1,P-2)	S-Water	E LEAD PUMP ON ELEVATION	-0.50	
PUMP MODEL NUMBER	MOPS	F LAG PUMP ON ELEVATION	-0.75	
SERVICE ENTRANCE VOLTAGE	230	G HIGH ALARM ELEVATION	-1.0	
SERVICE ENTRANCE PHASE	3	H INSIDE DIAMETER OF WET-WELL	72" Sq.	
CONTROL CENTER FULL LOAD AMPS	55	I OUTSIDE DIAMETER OF WET-WELL	88"	
NEMA 3R GALVANIZED STEEL DISCONNECT SWITCH, RATED AMPS	60	J MINIMUM CUBIC FEET OF CONCRETE BALLAST COLLAR (CUB YDS)	0/(00)	
WET-WELL SCOURER SYSTEM	N/A	K INVERT PIPE DIAMETER	18"	
REMOTE STATION MONITOR	N/A	L FORCE MAIN DIAMETER	8"	
		M INVERT ELEVATION	5.92	

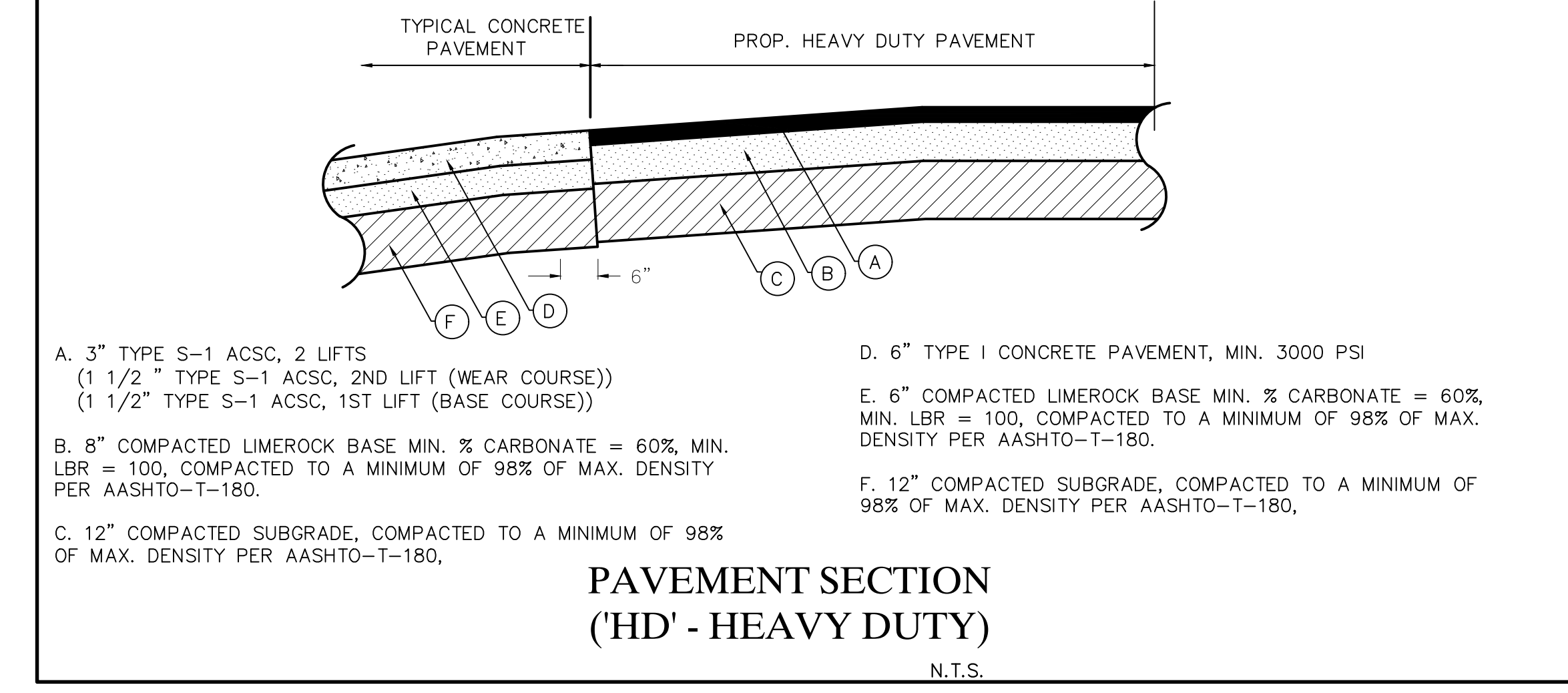
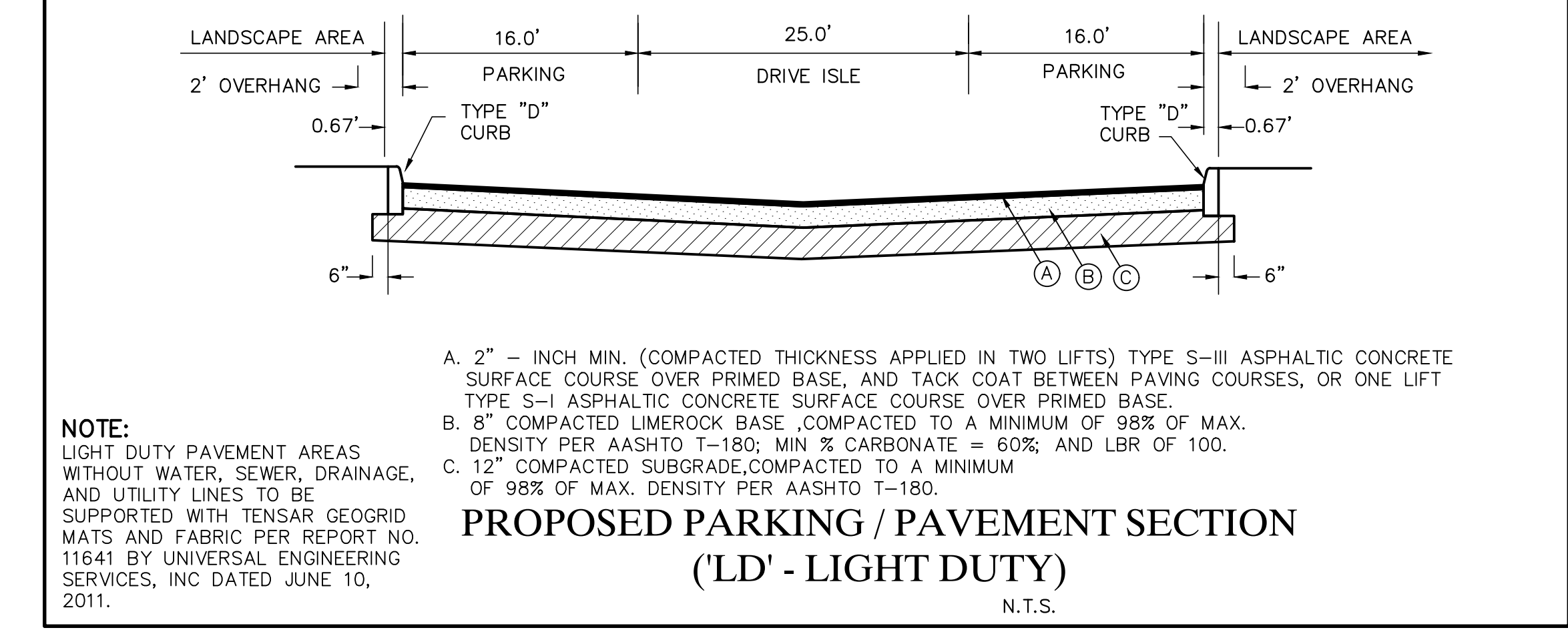
MOPS EQUIPMENT IDENTIFICATION	QTY.	MODEL DESIGNATION
MOPS PUMP STATION	1	SW26-7272120-C-7.5
MOPS VALVE BOX ASSEMBLY (VBA)	1	BUILT-IN ABOVE
MOPS ODOR/GAS SCRUBBER (OGS)	0	N/A
MOPS R.P.Z. ASSEMBLY	0	N/A
MOPS CONTROL CENTER	1	PSC-222-7.5
MOPS DISCONNECT SWITCH	1	FDS-60-3-2-PS
MOPS CONTROL CENTER MOUNTING ASSEMBLY	0	N/A
MOPS WET WELL SCOURER SYSTEM	0	N/A
MOPS REMOTE STATION MONITOR	0	N/A

**M.O.P.S.**

**BILL OF MATERIALS**  
**MOPS PUMP STATION**

INCLUDES CHECKED ITEMS BELOW:

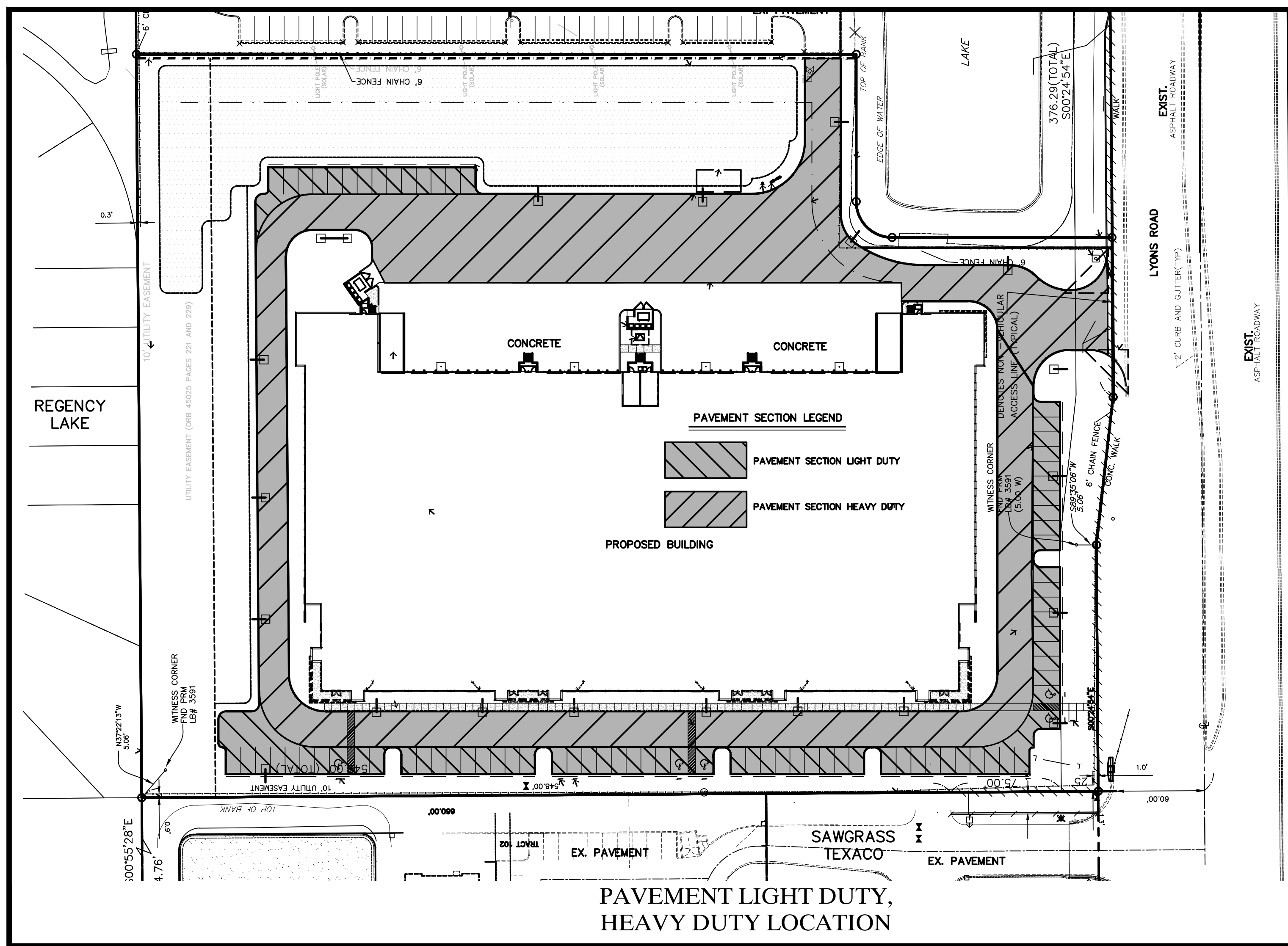
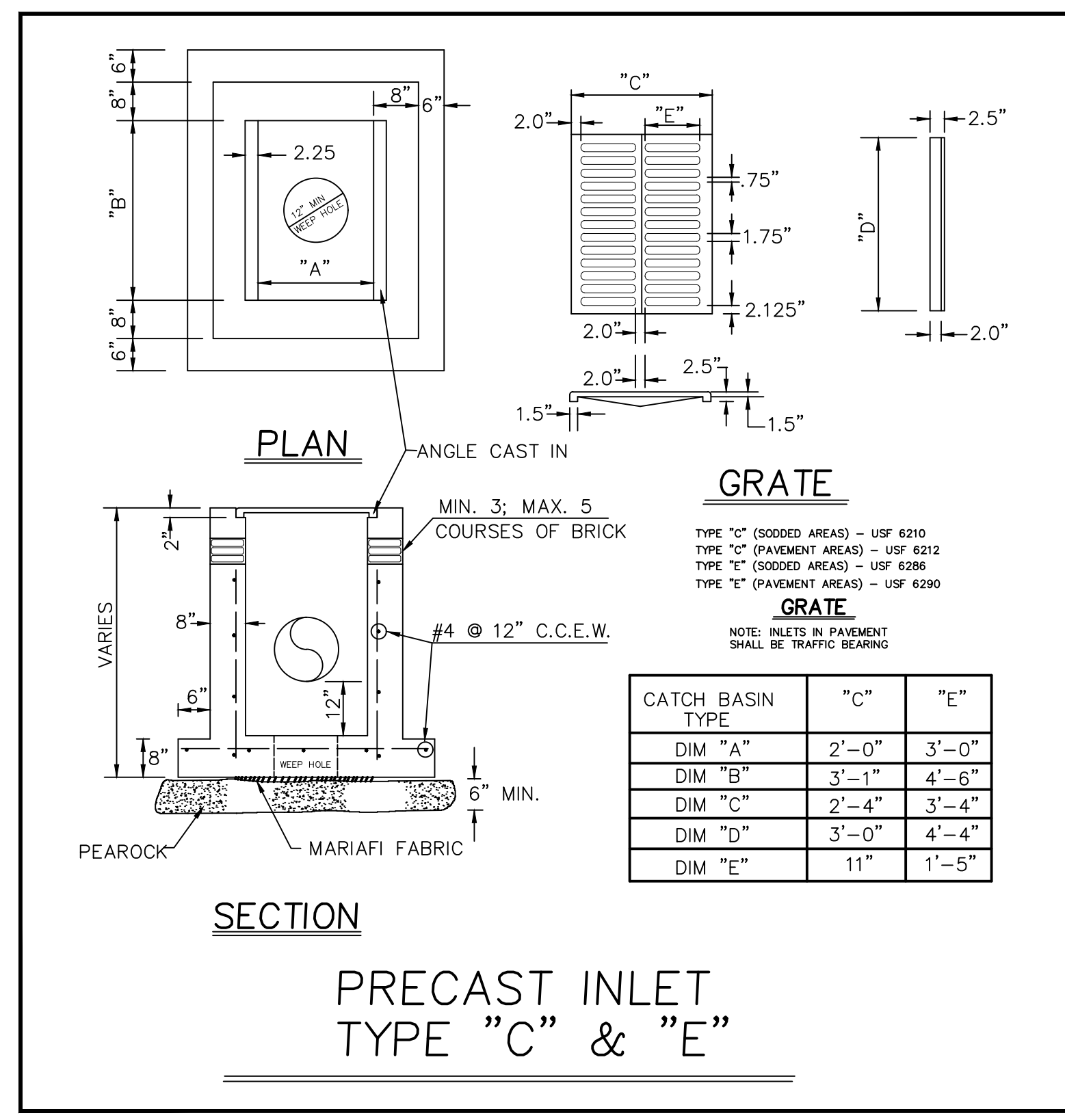
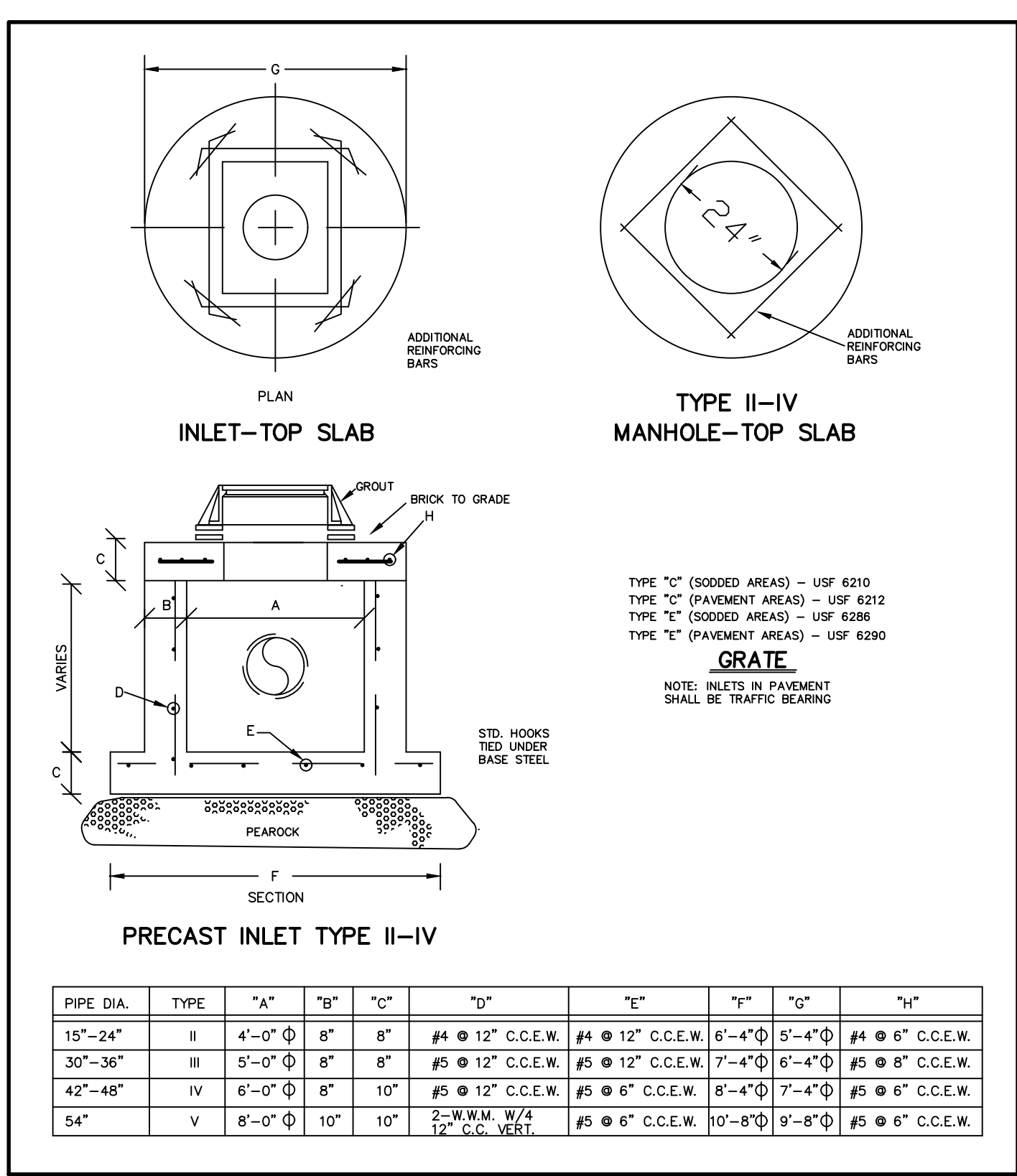
PUMP STATION MODEL	SW26-7272120-C-7.5
VALVE BOX ASSEMBLY MODEL	Built-In
ODOR/GAS SCRUBBER MODEL	N/A
STATION SUMP PUMP	MOPS-PE51P1
R.P.Z. ASSEMBLY	N/A
CONTROL CENTER MODEL	PSC-222-7.5
DISCONNECT SWITCH MODEL	FDS-60-3-2-PS
CONTROL CENTER MOUNTING ASSEMBLY	N/A
A.E.S. MAINTENANCE CONTRACT	N/A
REMOTE STATION MONITOR	N/A
SHOP DRAWINGS	
START-UP / WARRANTY VALIDATION	
O & M MANUALS	
OTHER	N/A



**M.O.P.S.**

**U.L. LISTING CONFIRMATION**

All electrical items (pump motor, motor power cable, float switches, and control panel) will be U.L. Listed or U.L. Recognized (as applicable) to the proper U.L. standards (U.L. 508A for Panel, U.L. 778 for Motor and Cable, U.L. 799 for Floats.)



REV.	DATE	BY	REVISIONS
05/13/19		BAH	SITE PLAN COMMENTS
04/04/19		NJA	

**CAULFIELD & WHEELER, INC.**  
 CIVIL ENGINEERING - LAND PLANNING  
 LANDSCAPE ARCHITECTURE - SURVEYING  
 7900 GLADES ROAD - SUITE 100  
 BOCA RATON, FLORIDA 33434  
 PHONE (561)-392-1991 / FAX (561)-750-1452

**LYONS EXCHANGE CENTER**  
**COCONUT CREEK, FLORIDA**  
**PAVING, GRADING, & DRAINAGE DETAILS**  
 COCONUT CREEK, FLORIDA

DATE: 6/26/18  
 DRAWN BY: BAH  
 F.B./PG.: N/A  
 SCALE: N.T.S.

JOHN F. WHEELER  
 PROFESSIONAL ENGINEER  
 LICENSE NO. 25478  
 STATE OF FLORIDA  
 ENG. NO. EB-0003591  
 DATE

JOB # 8281  
 SH. NO. PD-4  
 OF 15 SHEETS