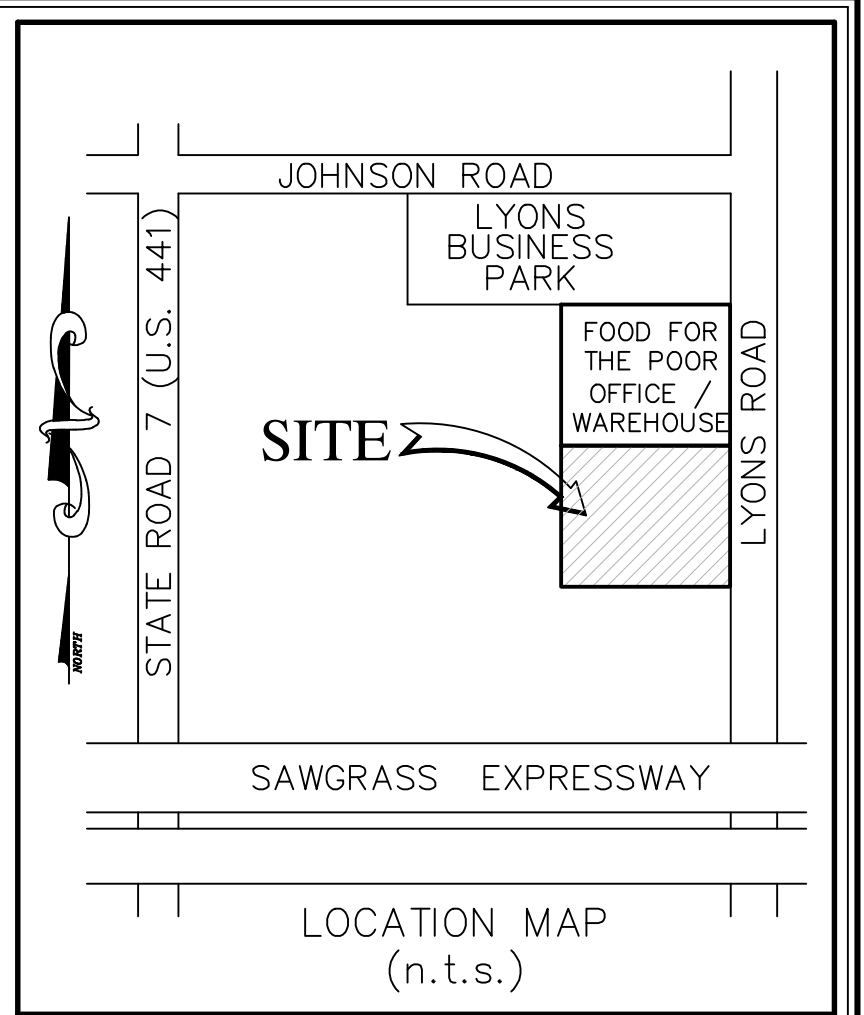
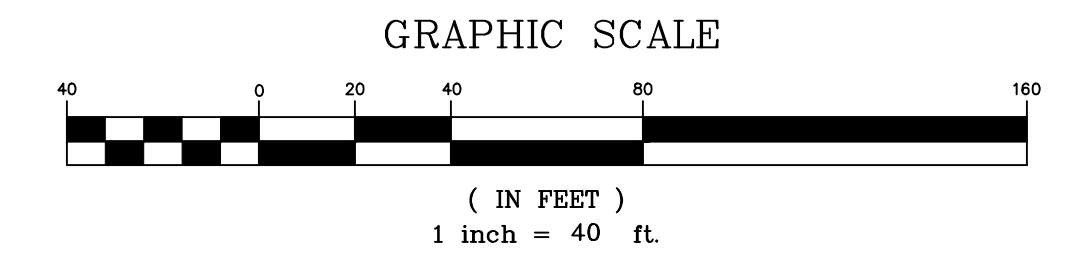


Call 48 hours before you dig
It's the Law!
1-800-432-4770
 Sunshine State One Call of Florida, Inc.

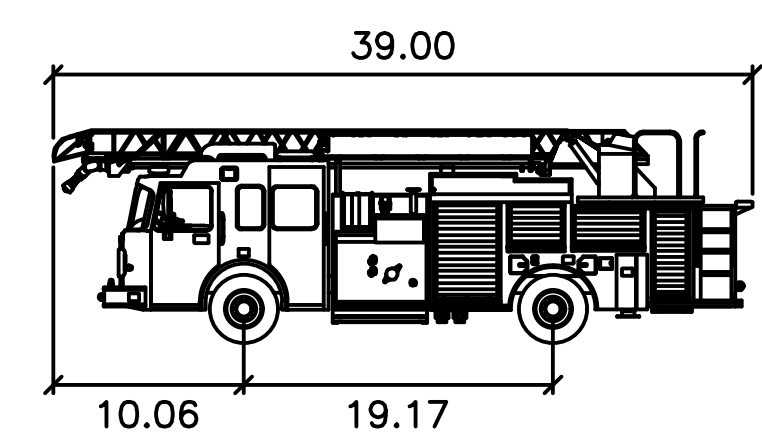


LEGEND

- PROPOSED PIPE AND CATCH BASIN
- PROPOSED GRADE
- DIRECTION OF FLOW
- EXISTING PIPE AND INLET
- EXISTING GRADE
- PROPOSED WATER LINE
- EXISTING WATER LINE
- PROPOSED SANITARY SEWER LINE
- EXISTING SANITARY SEWER LINE



S.F.W.M.D. PERMIT CRITERIA
 PERMIT NO.
 WATER CONTROL ELEV. = 9.50' (NAVD)
 MIN. ROAD CROWN ELEV. = 12.50' (NAVD)
 MIN. BLDG. FLOOR ELEV. = 14.50' (NAVD)



Coconut Creek Fire Truck

	feet
Width	: 8.33
Track	: 7.88
Lock to Lock Time	: 6.0
Steering Angle	: 33.3

REV. PER CITY	DATE	BY
05/13/19		BAH
9/26/18		BAH
		DATE

CAULFIELD & WHEELER, INC.
 CIVIL ENGINEERING - LAND PLANNING
 LANDSCAPE ARCHITECTURE - SURVEYING
 7900 GLADES ROAD - SUITE 100
 BOCA RATON, FLORIDA 33434
 PHONE (561) 392-1991 / FAX (561) 750-1452

**LYONS EXCHANGE CENTER
 COCONUT CREEK, FLORIDA
 VEHICULAR MOVEMENT PLAN**

DATE	6/26/18
DRAWN BY	BAH
F.B./ PG.	N/A
SCALE	N.T.S.

JOHN F. WHEELER
 PROFESSIONAL ENGINEER
 LICENSE NO. 25478
 STATE OF FLORIDA
 ENG. NO. EB-0003591
 DATE

JOB # 8281
 SHT. NO.
VM-1
 OF 15 SHEETS