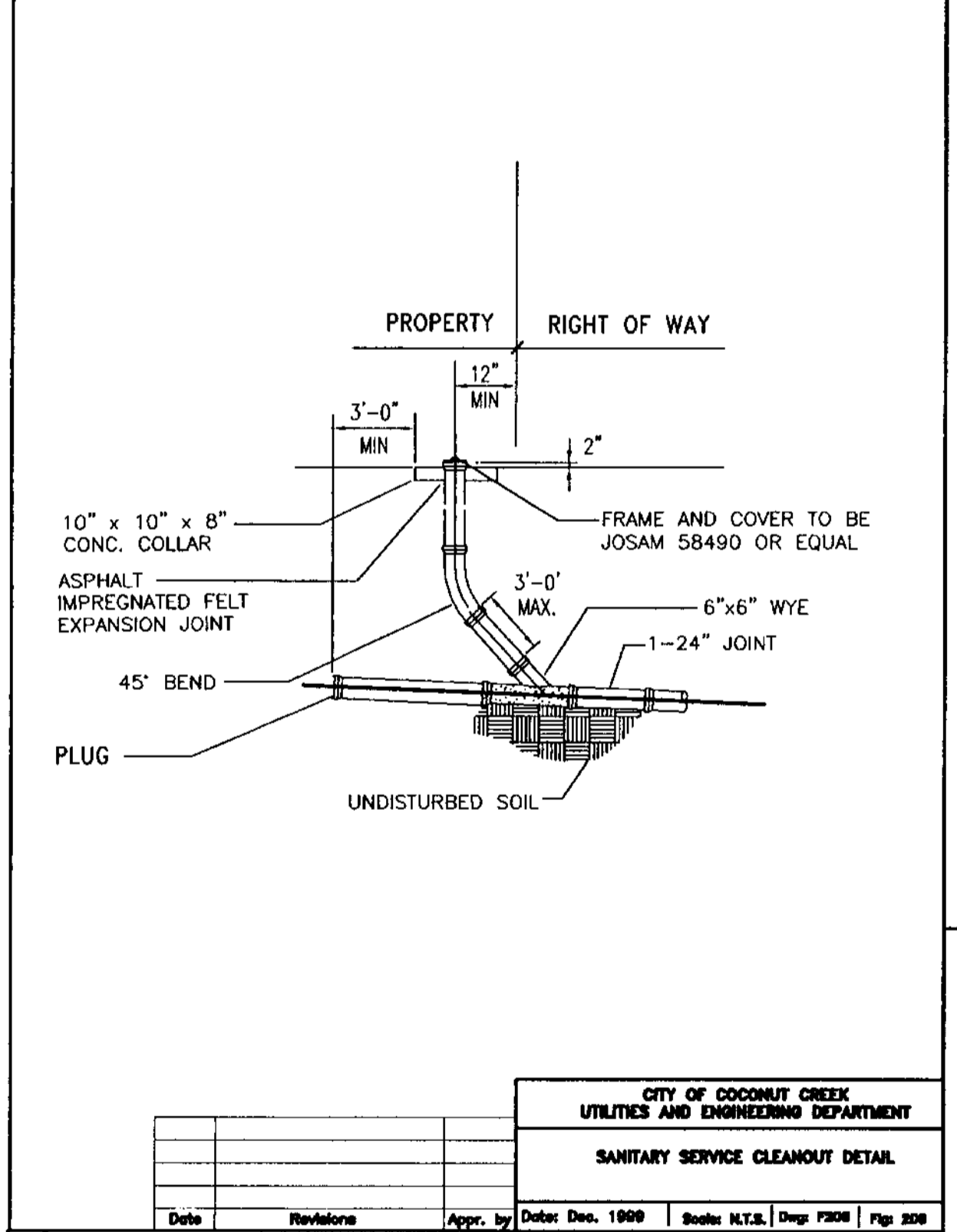


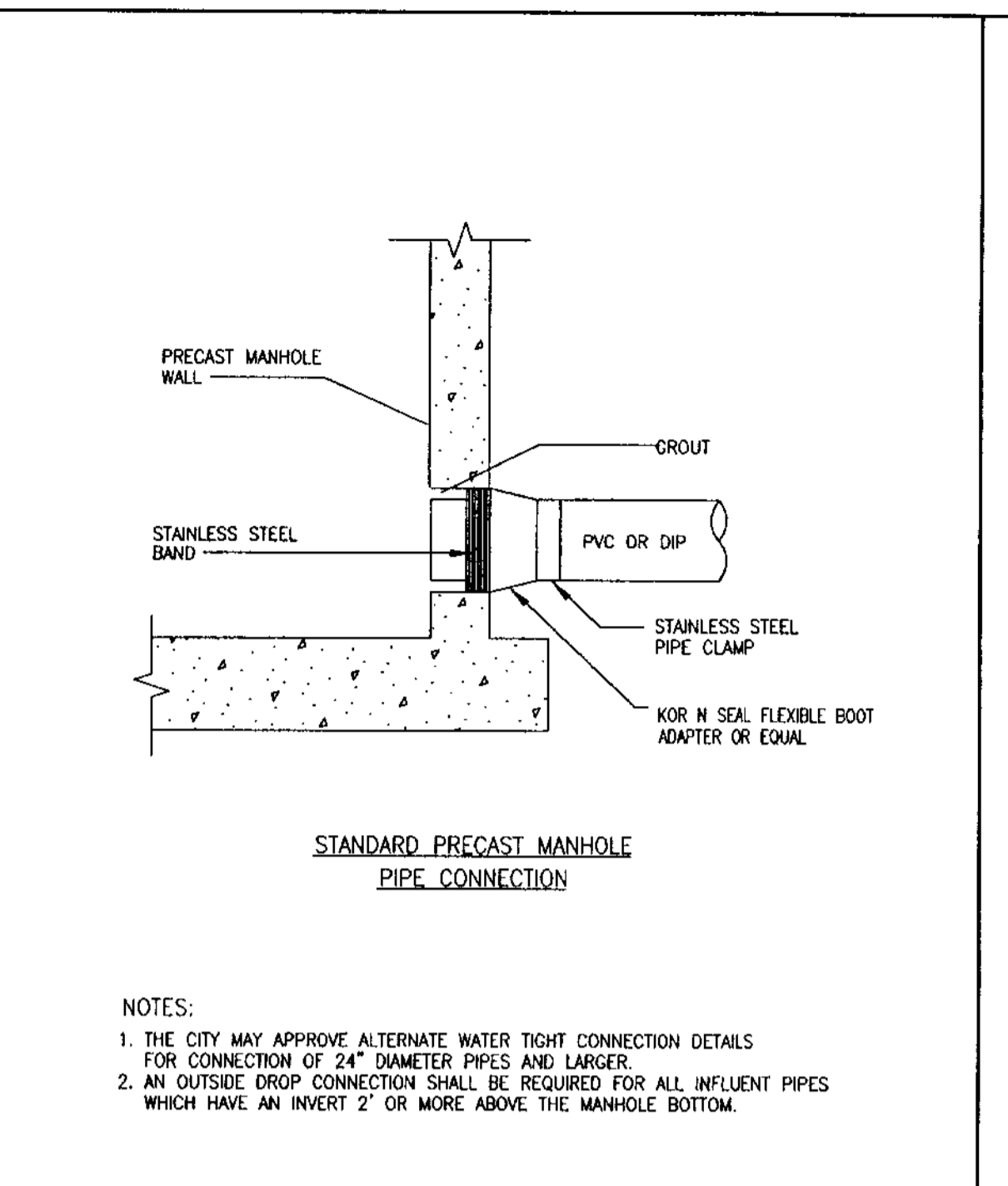
DATE: Nov. 1998 | BOOK: N.T.S. | DESG: F200 | FIG: 200

Date	Revisions	Appr. by



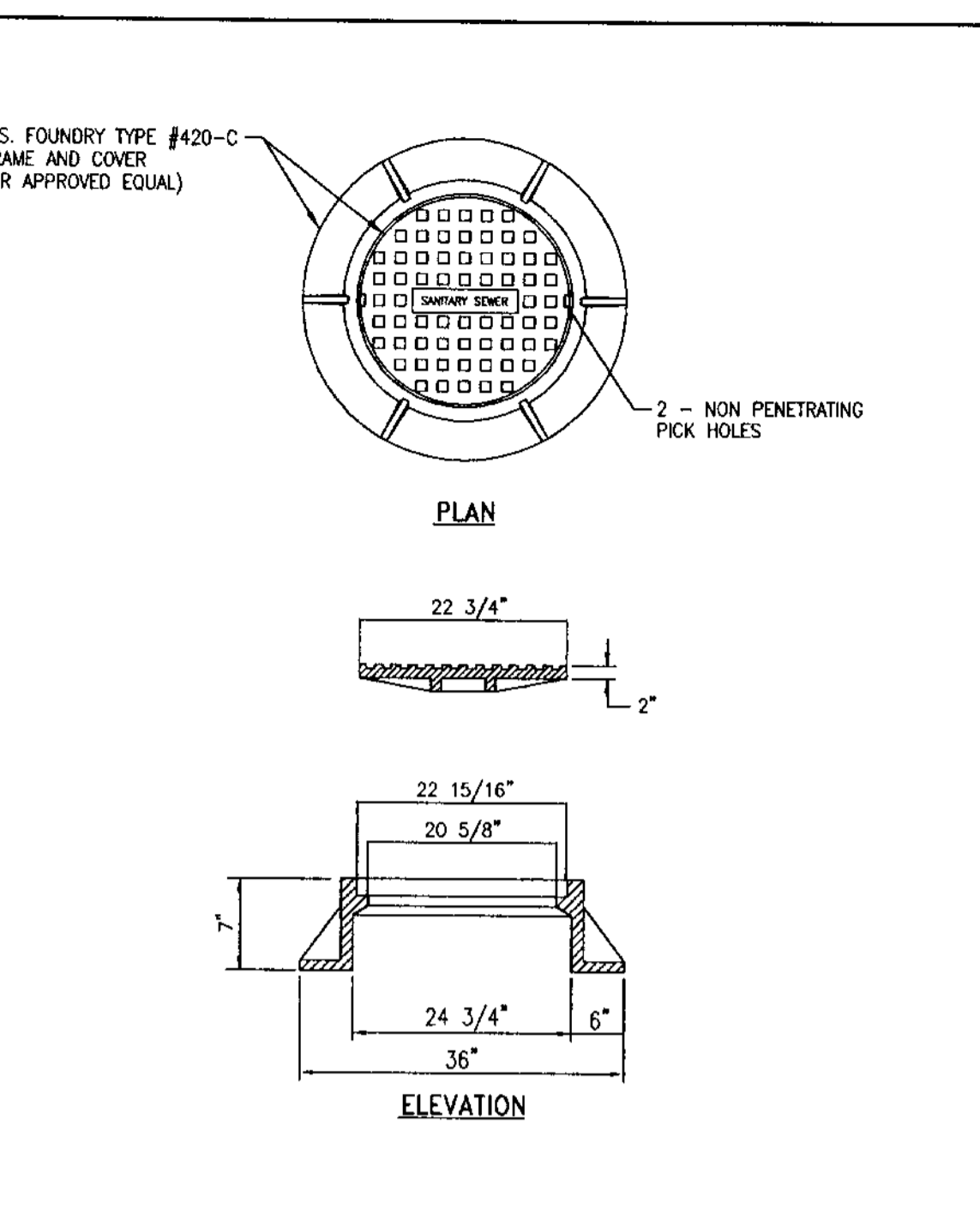
DATE: Dec. 1999 | BOOK: N.T.S. | DESG: F200 | FIG: 200

Date	Revisions	Appr. by



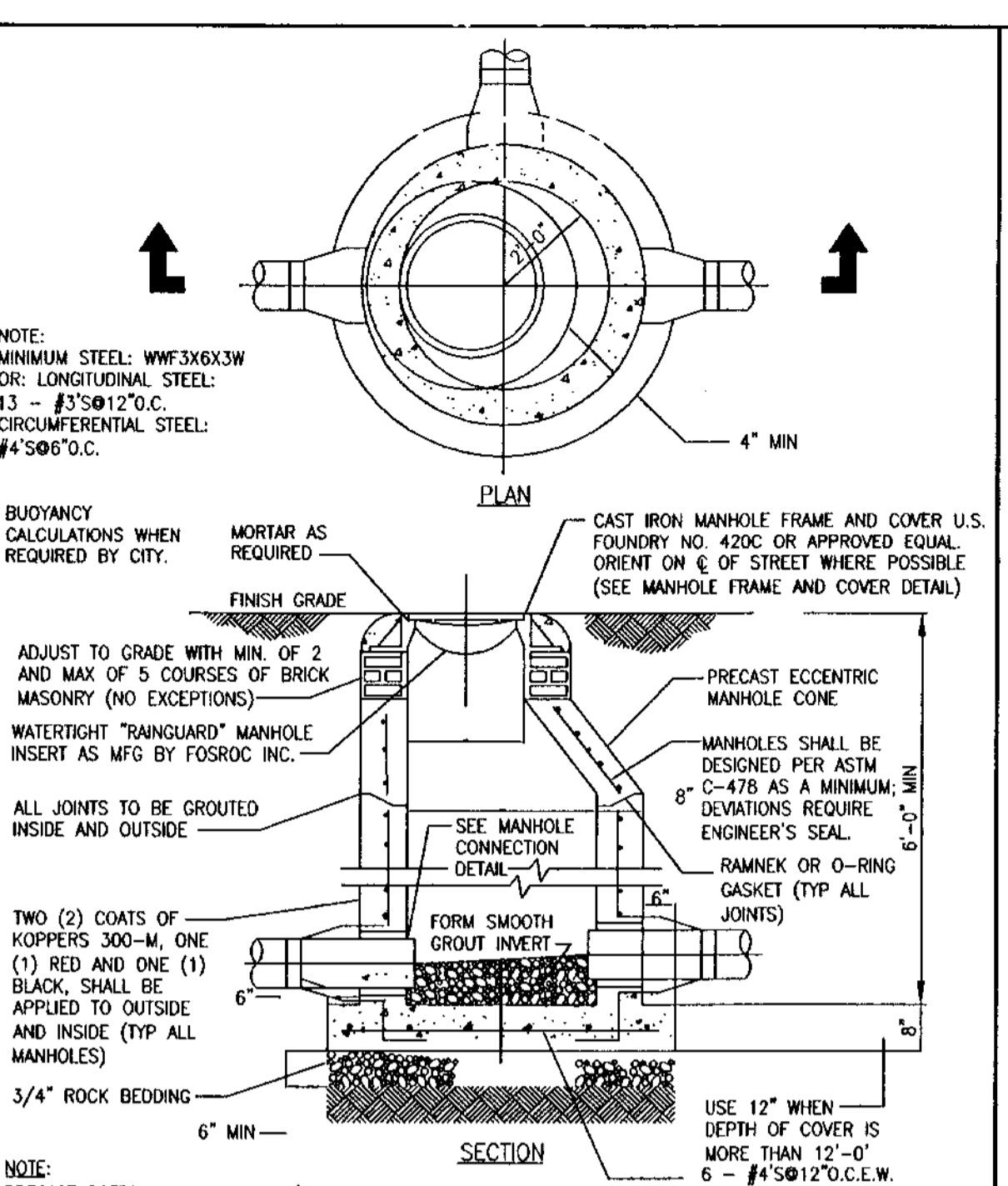
DATE: Nov. 1998 | BOOK: N.T.S. | DESG: F201 | FIG: 201

Date	Revisions	Appr. by



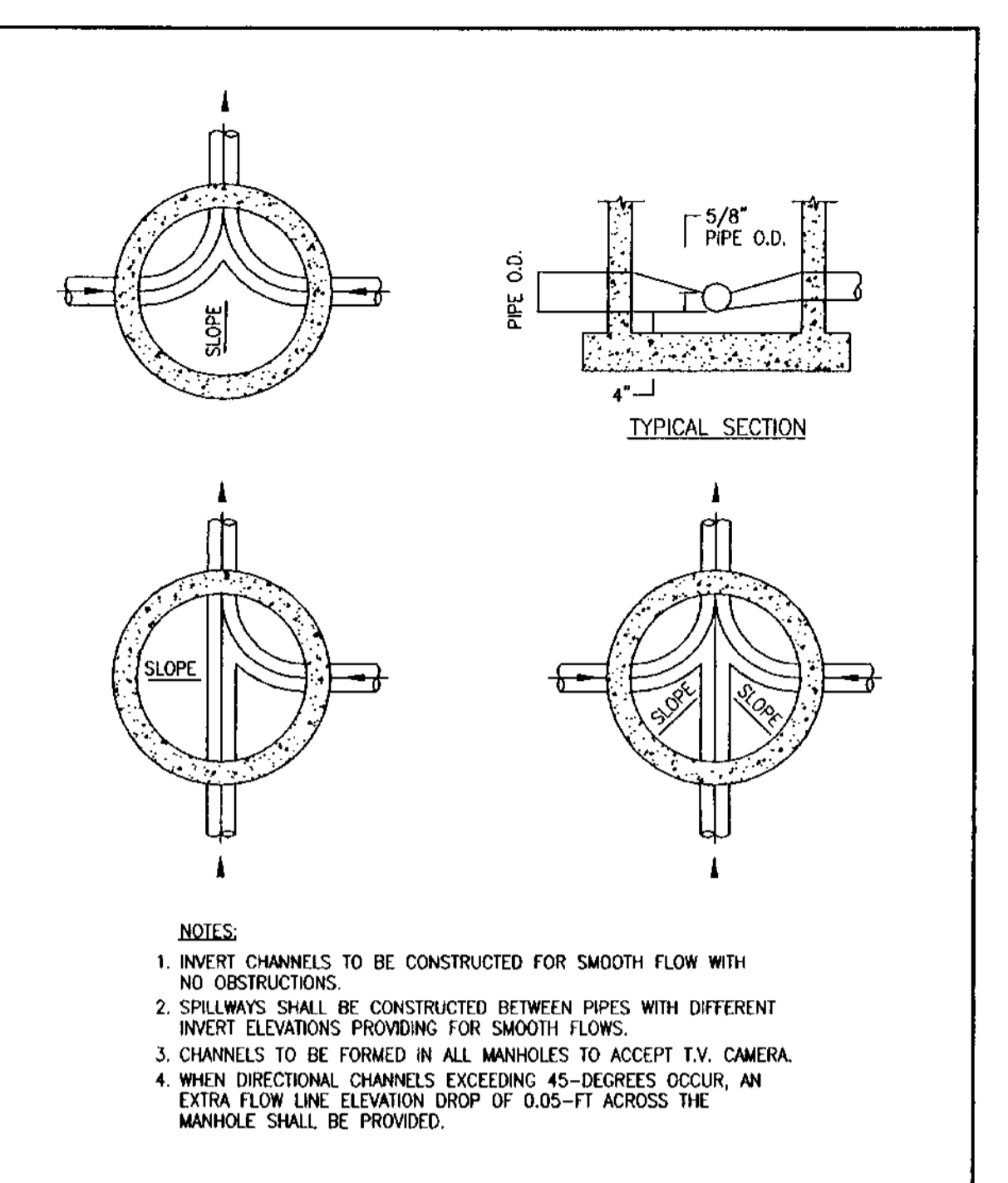
DATE: Nov. 1999 | BOOK: N.T.S. | DESG: F203 | FIG: 203

Date	Revisions	Appr. by



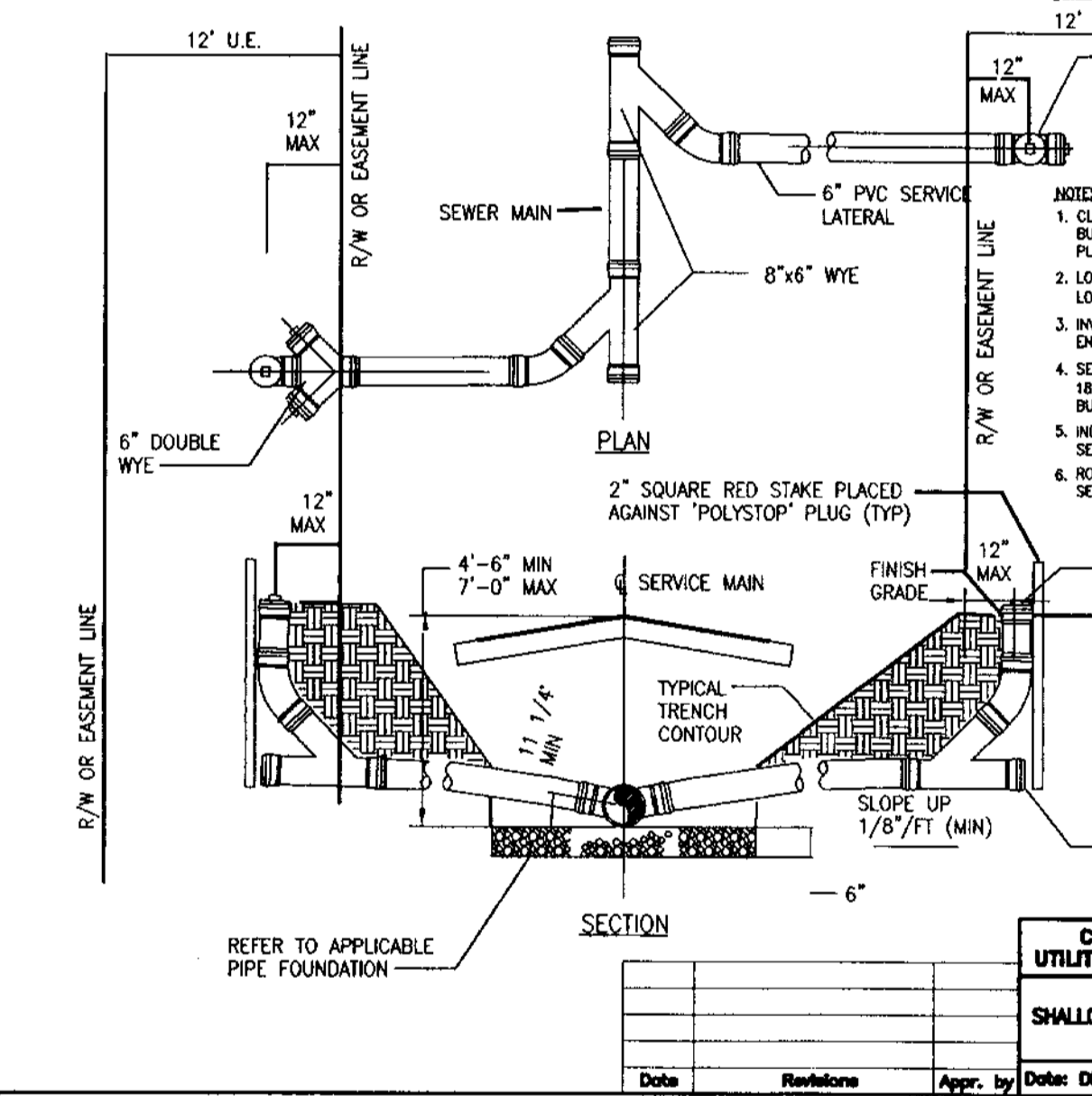
DATE: Nov. 1998 | BOOK: N.T.S. | DESG: F200A | FIG: 200A

Date	Revisions	Appr. by



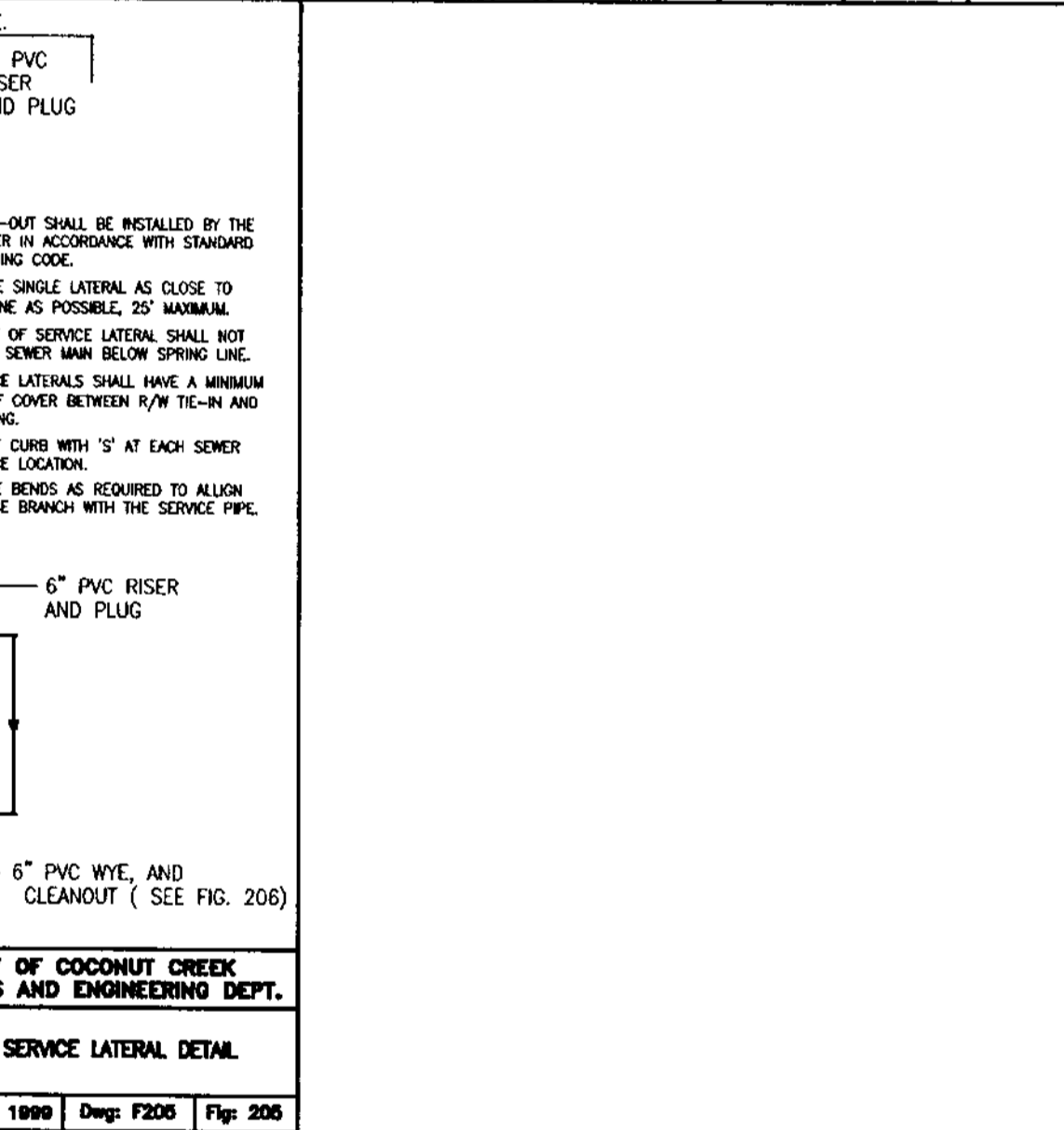
DATE: Dec. 1999 | BOOK: N.T.S. | DESG: F200B | FIG: 200B

Date	Revisions	Appr. by



DATE: Oct. 1999 | DESG: F200 | FIG: 200

Date	Revisions	Appr. by



DATE: Nov. 1999 | DESG: F200A | FIG: 200A

Date	Revisions	Appr. by

CAULFIELD & WHEELER, INC.  
 CIVIL ENGINEERING - LAND PLANNING  
 LANDSCAPE ARCHITECTURE - SURVEYING  
 7301A W. PALMETTO PARK ROAD - SUITE 100A  
 BOCA RATON, FLORIDA 33433  
 PHONE (561) 992-1991 / FAX (561) 750-1452

**FOOD FOR THE POOR**  
**OFFICE / WAREHOUSE**  
**SANITARY SEWER DETAILS**  
 COCONUT CREEK, FLORIDA

DATE: 2/19/04  
DRAWN BY: BAH  
F.B./ PG: N/A  
SCALE: N.T.S.

JOHN F. WHEELER  
PROFESSIONAL ENGINEER  
CERT. NO. 25478  
STATE OF FLORIDA  
ENG. NO. EB-0003591  
DATE: MAY 05 2004

JOB # 3212  
SHT. NO.  
**C-12**  
OF 14 SHEETS