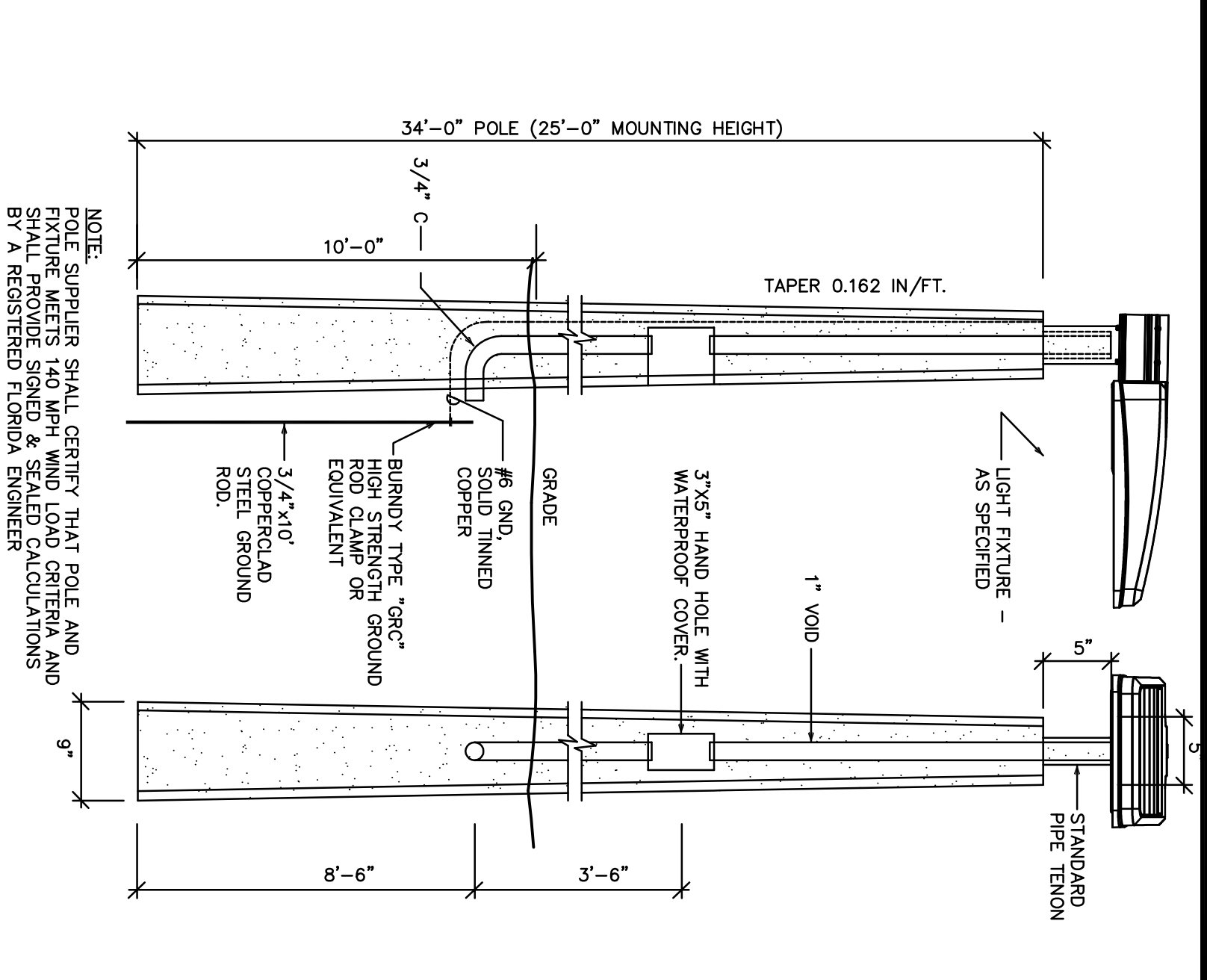
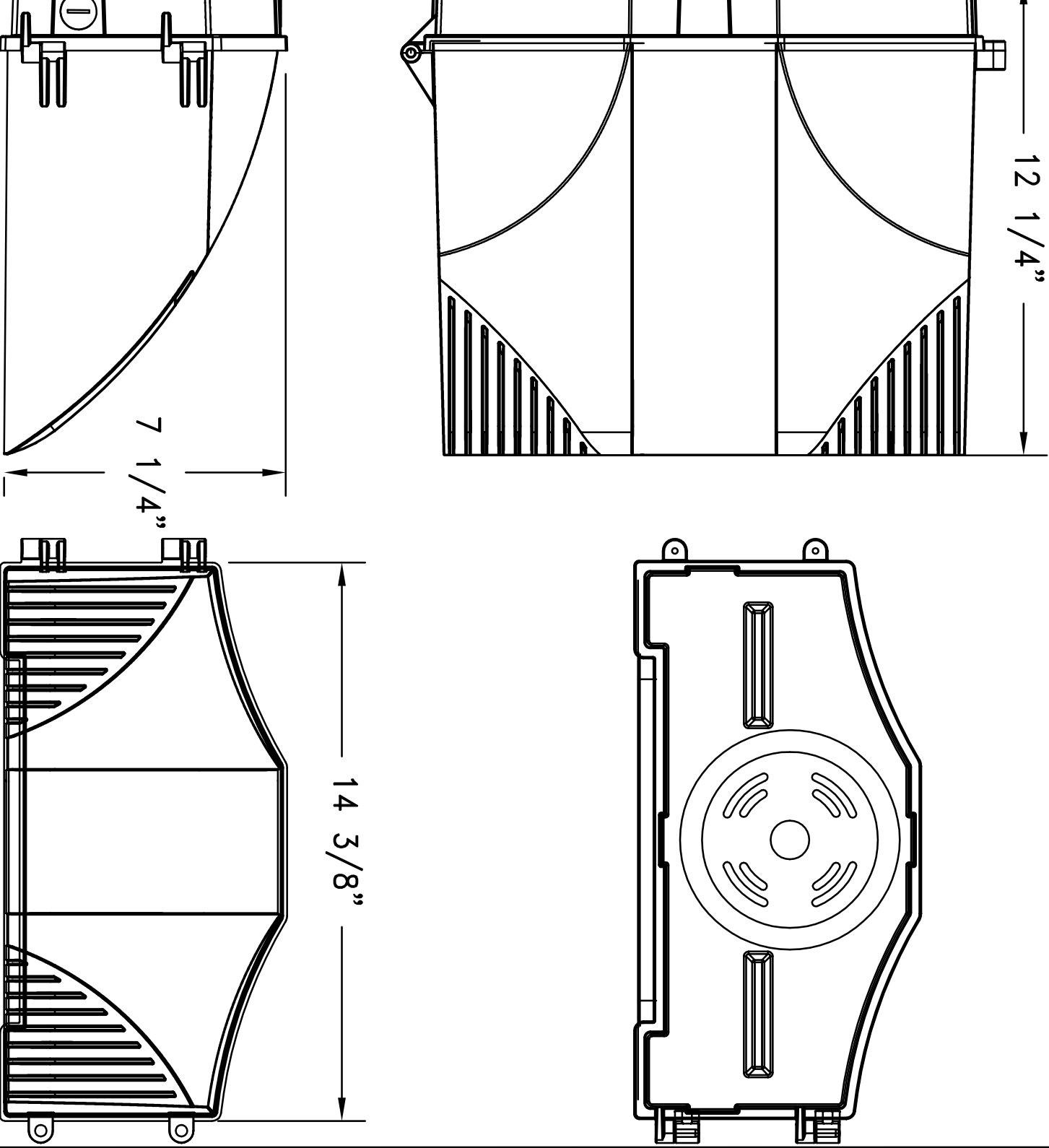


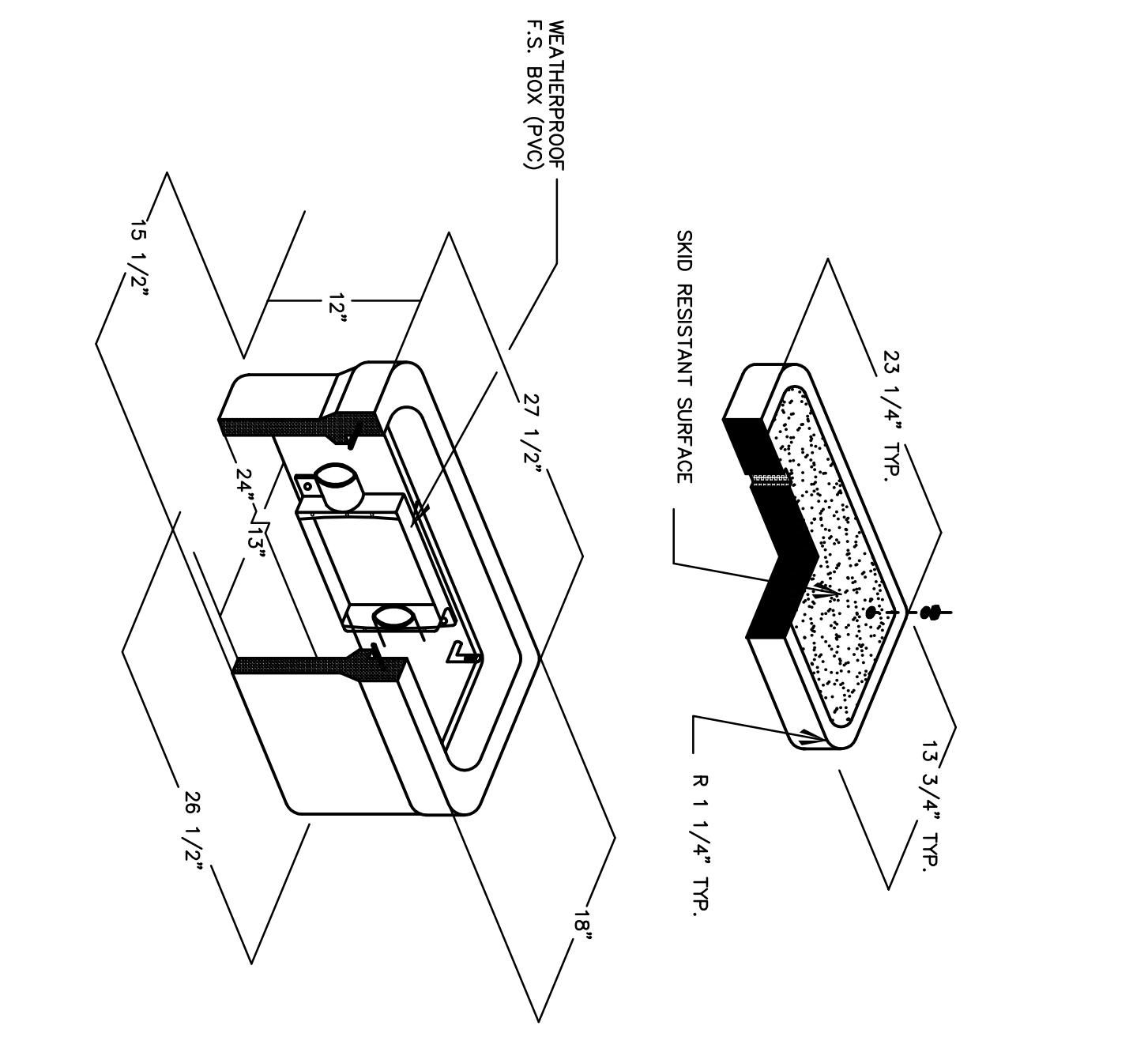
D TRAVERSE WALL PACK LIGHT FIXTURE DETAILS
SCALE: N.T.S.



A LIGHT POLE DETAIL
SCALE: N.T.S.



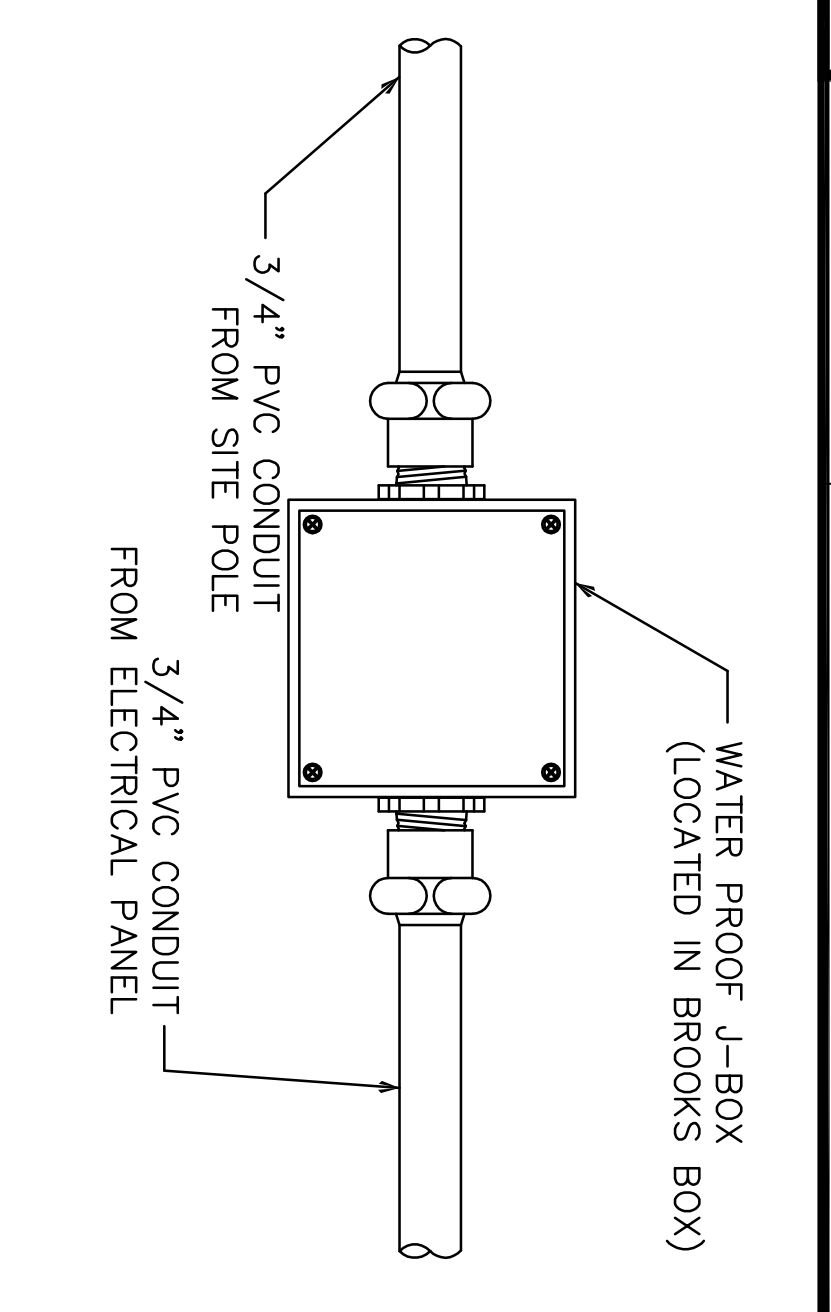
E VIPER POLE MOUNT SMALL (VP-S) LIGHT FIXTURE DETAILS
SCALE: N.T.S.



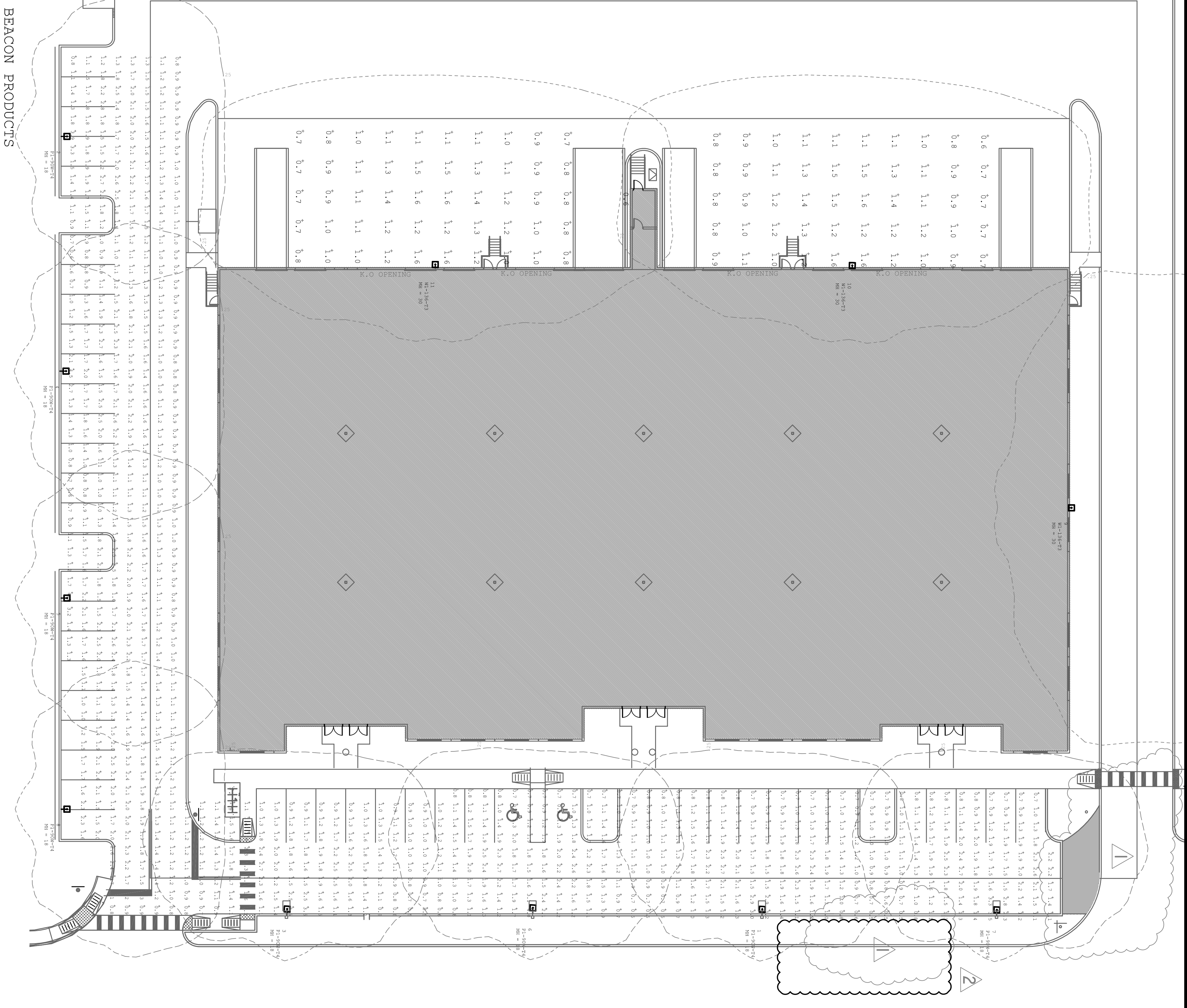
B BROOKS BOX DETAIL
SCALE: N.T.S.

NOTES
SCALE: N.T.S.

TO CONFIRM THAT THE SPECIFIED PHOTOMETRIC CRITERIA HAS BEEN MET, THE PHOTOMETRIC FILE AS A DWG FOR THE PROPOSED ALTERNATE/SUBSTITUTE MUST BE SUBMITTED TO T&T DESIGN AND CONSULTING ENGINEERS FOR EVALUATION NO LESS THAN 10 DAYS PRIOR TO BID. ANY ACCEPTABLE ALTERNATE/SUBSTITUTE MUST BE APPROVED IN WRITING PRIOR TO BID DATE.



C SITE LIGHTING CONNECTION DETAIL
SCALE: N.T.S.



BEACON PRODUCTS

SYMBOL	QTY	DESCRIPTION	MANUFACTURER	DATE	REVISION	DATE	REVISION
1	1	TRaverse Wall Pack Light	ALUMINUM	12-19-2012	1	12-19-2012	1
2	1	Light Pole	ALUMINUM	12-19-2012	1	12-19-2012	1
3	1	Brooks Box	PVC	12-19-2012	1	12-19-2012	1
4	1	Viper Pole Mount	ALUMINUM	12-19-2012	1	12-19-2012	1

CONSTRUCTION SUMMARY

ITEM	QTY	UNIT	PRICE	TOTAL	DATE	REVISION
TRaverse Wall Pack Light	1	EA	1,337.9	1,337.9	12-19-2012	1
Light Pole	1	EA	1,337.9	1,337.9	12-19-2012	1
Brooks Box	1	EA	1,337.9	1,337.9	12-19-2012	1
Viper Pole Mount	1	EA	1,337.9	1,337.9	12-19-2012	1