

SITE PLAN - SUPPLEMENTAL

1'-0" = 20'

A
A003

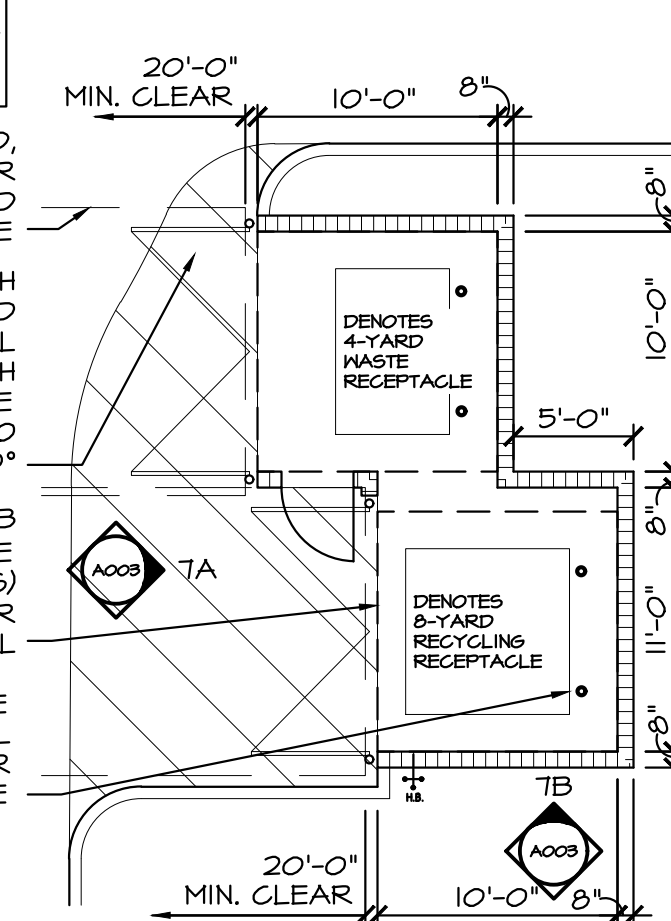
PROVIDE SHRUBS AT THREE SIDES- 24" MIN. HIGH @24" O.C.- REFER TO LANDSCAPE DRAWINGS FOR TYPE

HEAVY DUTY CONCRETE PAD, EXTEND 20'-0" FROM DUMPSTER GATES- SLOPE TO FINISHED GRADE

DENOTES STEEL GATES WITH VERTICAL WOOD SLATS HINGED TO 4" CONCRETE FILLED STEEL PIPES - PAINT TO MATCH BUILDING EXTERIOR. PROVIDE GATE STOP WITH DROP PIN INTO PAVEMENT TO LIMIT SWING TO 90°

DENOTES 6" CONCRETE SLAB WITH 6x6x%³/₈ WUM. (DOUBLE 30" TYP. AT ALL PERIMETERS) OVER 6 MIL. VAPOR BARRIER ON WELL COMPACTED FILL

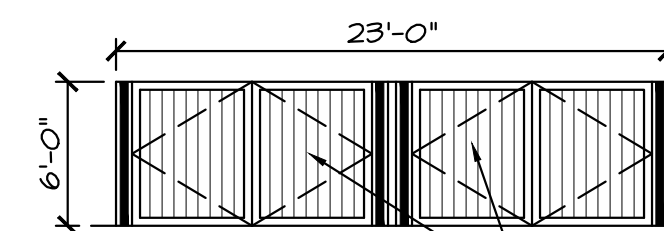
(2) - 4" O.D. CONCRETE FILLED GALVANIZED STEEL PIPES FOR BACKSTOPS PER ENCLOSURE



DUMPSTER / STORAGE DETAIL

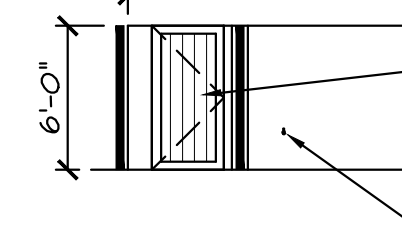
1/8" = 1'-0"

0219-01
A003



A - WEST ELEVATION

STEEL GATES WITH DIAGONAL BRACING AND VERTICAL WOOD SLATS, HINGED TO 4" CONCRETE FILLED STEEL PIPES - PAINT TO MATCH BUILDING EXTERIOR. PROVIDE GATE STOP WITH DROP PIN INTO PAVEMENT TO LIMIT SWING TO 90°



B - SOUTH ELEVATION

STEEL GATE WITH DIAGONAL BRACING AND VERTICAL WOOD SLATS - PAINT TO MATCH BUILDING EXTERIOR. PROVIDE GATE STOP WITH DROP PIN INTO PAVEMENT TO LIMIT SWING TO 90°

DENOTES LOCATION OF HOSE BIB

DUMPSTER ELEVATIONS

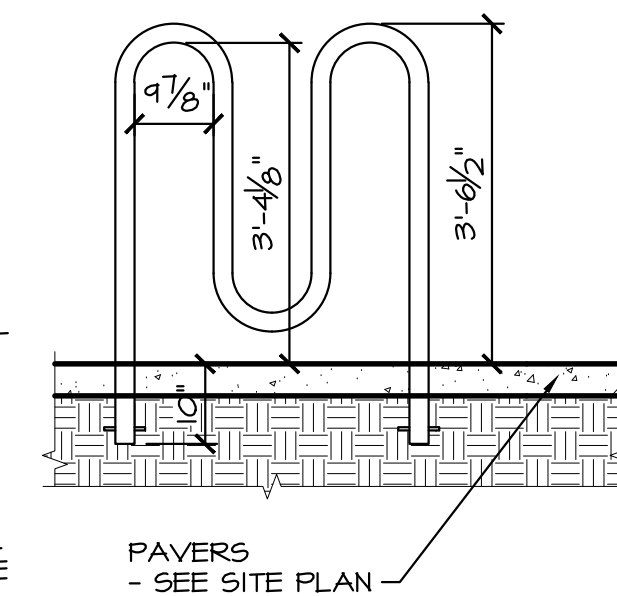
1/8" = 1'-0"

0219-01
A003

BICYCLE PARKING RACK SPECIFICATIONS:

RACK SHALL BE A MINIMUM OF 42" HIGH TO PROVIDE PROPER CLEARANCE FOR PARKED BICYCLES. GALVANIZED VERSION: RACK SHALL BE CONSTRUCTED OF ASTM A53 2" SCHEDULE 40 STEEL PIPE (2-3/8" O.D. X .154 WALL).

THE PARKING RACK SHALL BE HOT DIPPED GALVANIZED AFTER FABRICATION. RACK SHALL BE HAND FILED TO REMOVE GALVANIZING FLASH.



TYPICAL BIKE RACK FOR 5

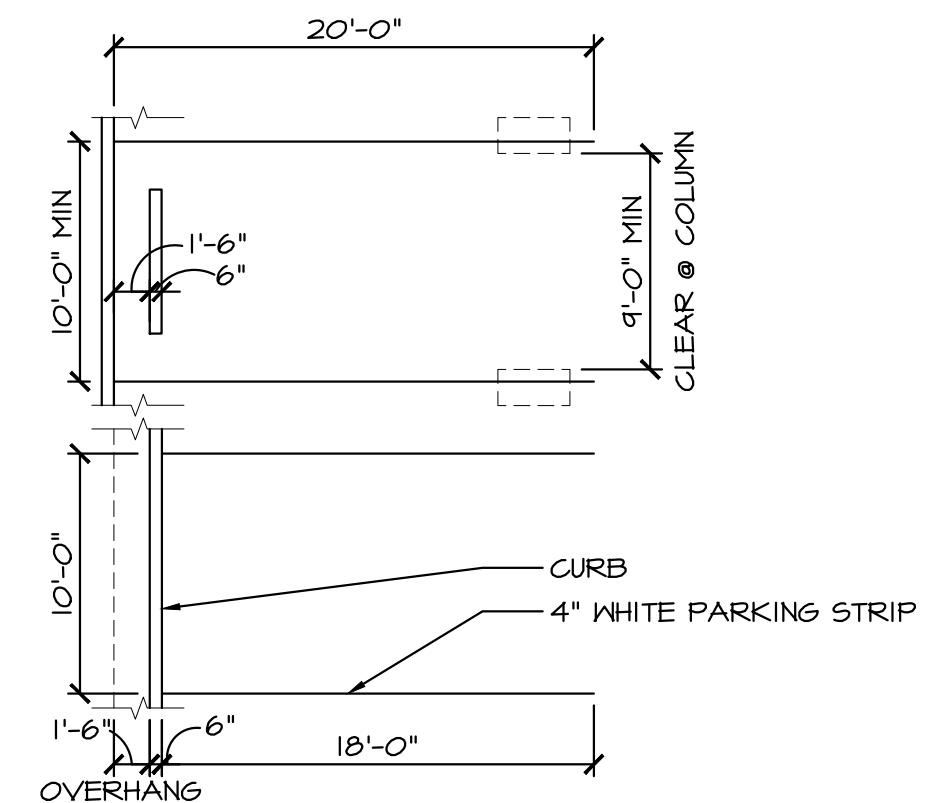
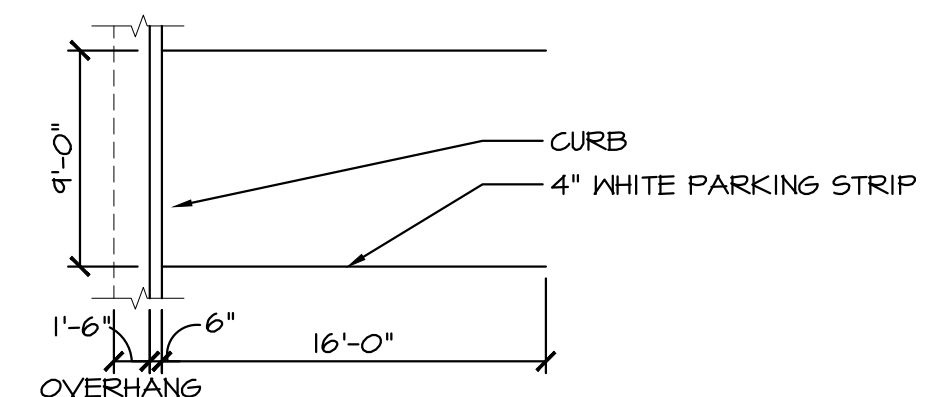
1/2" = 1'-0"

0219-02
A003

COMPACT PARKING SPACES

1/8" = 1'-0"

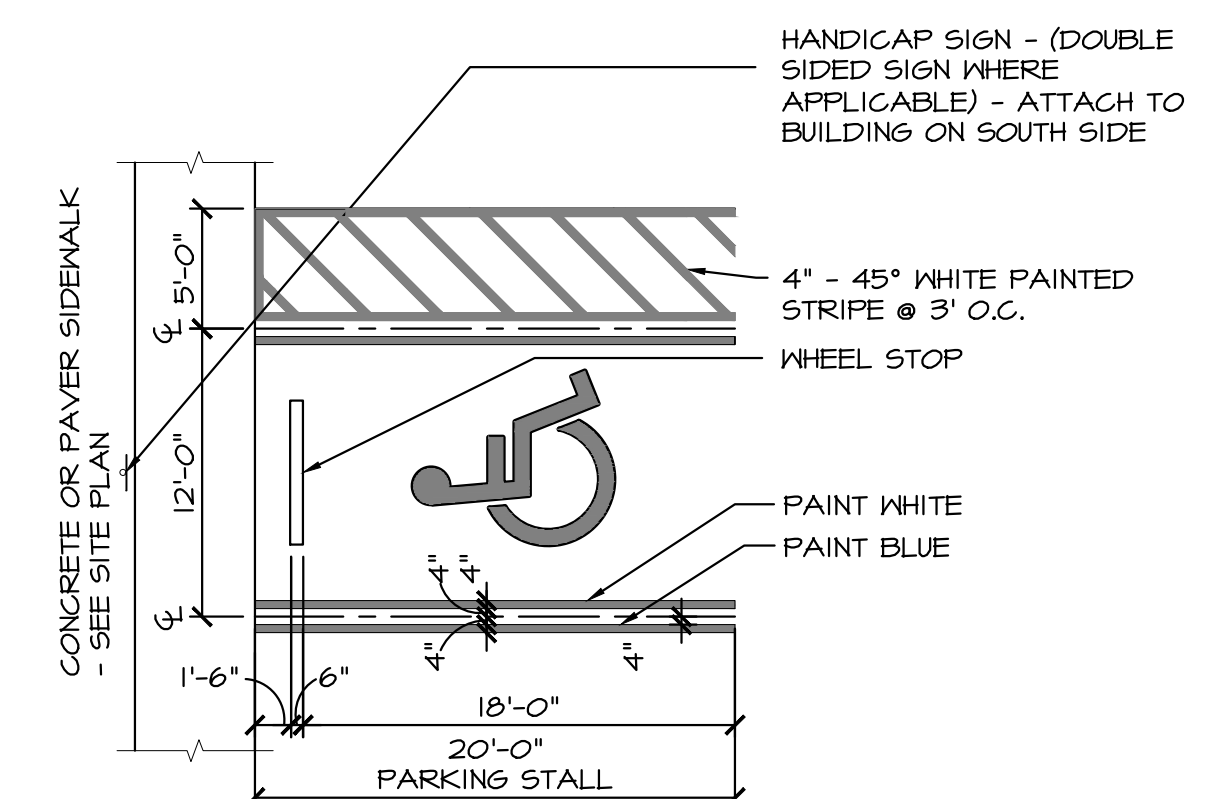
04-14-00-003
A003



TYPICAL PARKING SPACES

1/8" = 1'-0"

04-14-00-003
A003



TYPICAL HANDICAP PARKING

1/8" = 1'-0"

0219-02
A003

revision:	date:
1 DRG REVISIONS	03/29/16
2 DRG REVISIONS	05/02/16
3 DRG REVISIONS	04/21/16
4 DRG REVISIONS	12/05/16

commission: 14-030
principal: ERIC ANDERSON
project manager: CH

file name: 4030-SPA-003-SP
date: 02-23-16
title:

SITE PLAN DETAILS