

SITE PLAN - SUPPLEMENTAL

1'-0" = 20'

A
A003

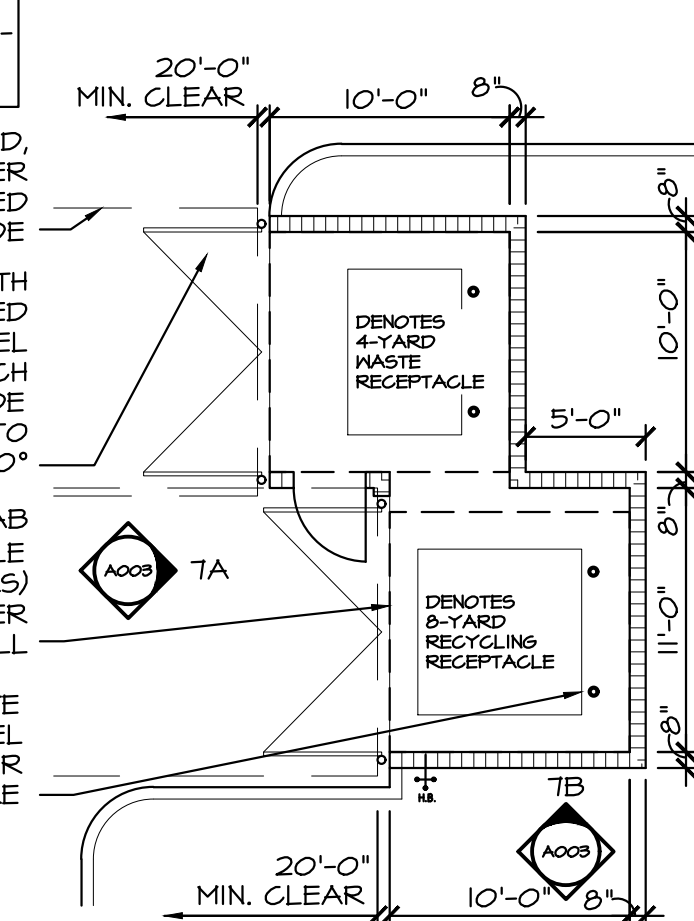
PROVIDE SHRUBS AT THREE SIDES- 24" MIN. HIGH @24" O.C.- REFER TO LANDSCAPE DRAWINGS FOR TYPE

HEAVY DUTY CONCRETE PAD, EXTEND 20'-0" FROM DUMPSTER GATES- SLOPE TO FINISHED GRADE

DENOTES STEEL GATES WITH VERTICAL WOOD SLATS HINGED TO 4"Ø CONCRETE FILLED STEEL PIPES - PAINT TO MATCH BUILDING EXTERIOR. PROVIDE GATE STOP WITH DROP PIN INTO PAVEMENT TO LIMIT SWING TO 90°

DENOTES 6" CONCRETE SLAB WITH 6X6X9/16 WUM. (DOUBLE 30" TYP. AT ALL PERIMETERS) OVER 6 MIL. VAPOR BARRIER ON WELL COMPACTED FILL

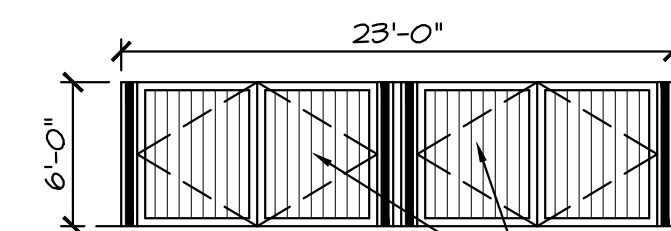
(2) - 4" O.D. CONCRETE FILLED GALVANIZED STEEL PIPES FOR BACKSTOPS PER ENCLOSURE



DUMPSTER / STORAGE DETAIL

1/8" = 1'-0"

0219-01
A003



STEEL GATES WITH DIAGONAL BRACING AND VERTICAL WOOD SLATS, HINGED TO 4"Ø CONCRETE FILLED STEEL PIPES - PAINT TO MATCH BUILDING EXTERIOR. PROVIDE GATE STOP WITH DROP PIN INTO PAVEMENT TO LIMIT SWING TO 90°

STEEL GATE WITH DIAGONAL BRACING AND VERTICAL WOOD SLATS - PAINT TO MATCH BUILDING EXTERIOR. PROVIDE GATE STOP WITH DROP PIN INTO PAVEMENT TO LIMIT SWING TO 90°

DENOTES LOCATION OF HOSE BIB

DUMPSTER ELEVATIONS

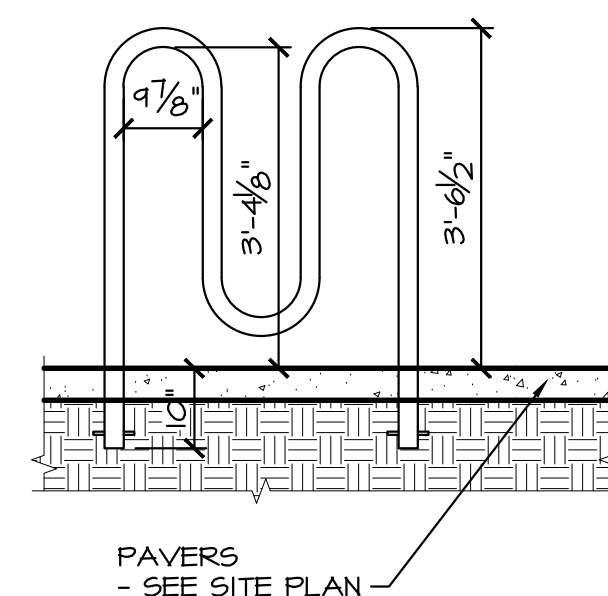
1/8" = 1'-0"

0219-01
A003

BICYCLE PARKING RACK SPECIFICATIONS:

RACK SHALL BE A MINIMUM OF 42" HIGH TO PROVIDE PROPER CLEARANCE FOR PARKED BICYCLES. GALVANIZED VERSION: RACK SHALL BE CONSTRUCTED OF ASTM A53 2" SCHEDULE 40 STEEL PIPE (2-3/8" O.D. X .154 WALL).

THE PARKING RACK SHALL BE HOT DIPPED GALVANIZED AFTER FABRICATION. RACK SHALL BE HAND FILED TO REMOVE GALVANIZING FLASH.



TYPICAL BIKE RACK FOR 5

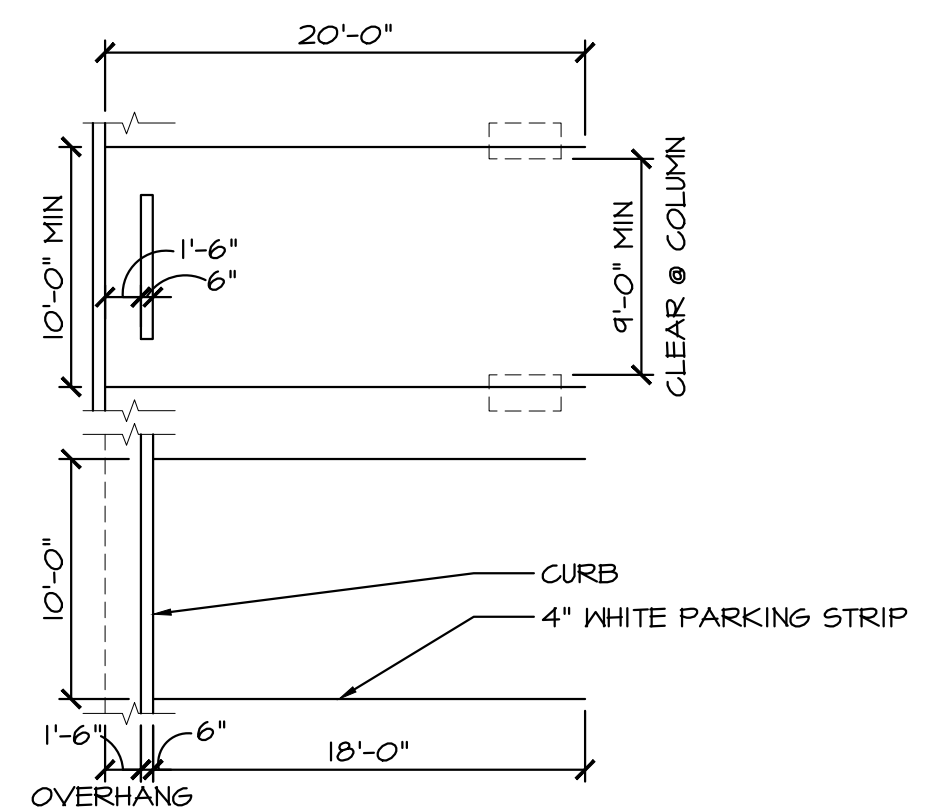
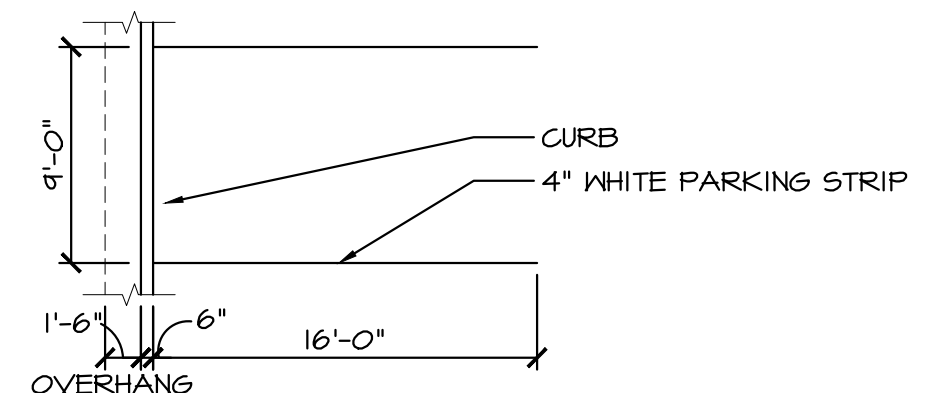
1/2" = 1'-0"

0219-02
A003

COMPACT PARKING SPACES

1/8" = 1'-0"

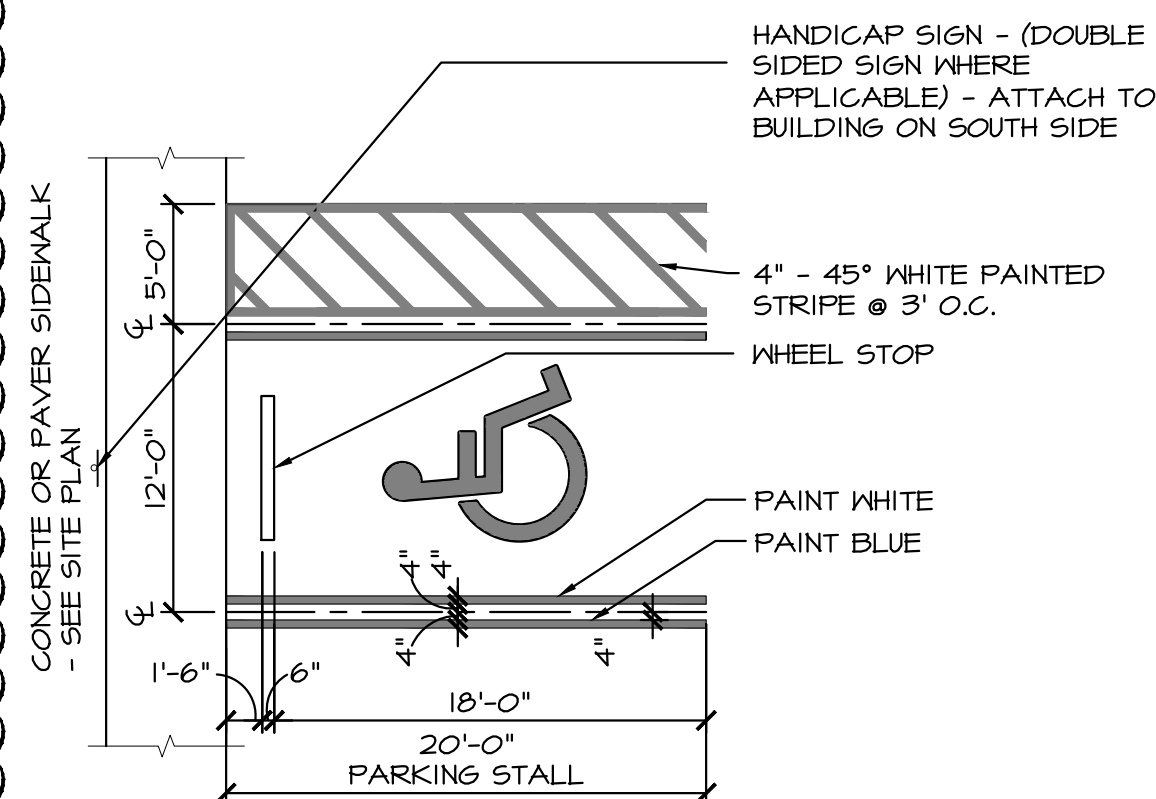
04-14-00-008
A003



TYPICAL PARKING SPACES

1/8" = 1'-0"

04-14-00-008
A003



TYPICAL HANDICAP PARKING

1/8" = 1'-0"

0219-02
A003