

**DESCRIPTION**

Galleria's beauty and versatility make it an excellent choice for roadway and general area lighting applications. An aesthetic reveal in the formed aluminum housing gives the Galleria a distinctive look while a variety of mounting options and lamp wattages provide maximum flexibility.

Galleria's superior light distributions makes it the optimum choice for almost any small, medium or large area lighting application.

**SPECIFICATION FEATURES**

**Construction HOUSING:** Formed aluminum housing with stamped reveal has interior-welded seams for structural integrity and is finished in premium TGIC polyester powder coat. U.L. listed and CSA certified for wet locations. **DOOR:** Formed aluminum door has heavy-duty hinges, captive retaining screws and is finished in premium TGIC polyester powder coat. (Spider mount unit has steel door.)

**Optical REFLECTOR:** Choice of 14 high efficiency optical systems utilizing horizontal and vertical lamp orientations. Optional high efficiency segmented optical systems constructed of premium 95% reflective anodized aluminum sheet. Optical segments are rigidly mounted inside a thick gauge aluminum housing for superior protection. All segment faces are clean of rivet heads, tabs or other means of attachment which may cause streaking in the light distribution. Standard with mogul-base socket. All optical modules feature quick disconnect wiring

plugs and are field rotatable in 90° increments. LENS: Convex tempered glass lens or flat glass. **Mounting** Extruded aluminum arm includes internal bolt guides allowing for easy positioning of fixture during assembly. Specify arm-included mounting for contractor-friendly single carton packaging of housing and arm.

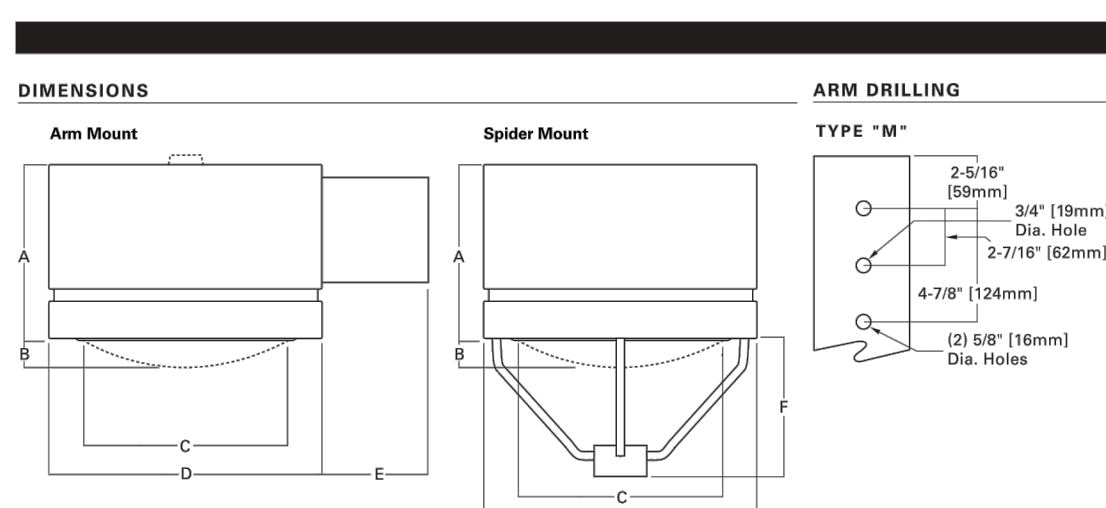
**Electrical BALLAST TRAY:** Ballast tray is hard-mounted to housing interior for cooler operation.

**McGRAW-EDISON**

Catalog #	GSS-AIS-150-MP-MT-AR-FG-BZ	Type	S3
Project		Date	
Comments			
Prepared by			



**GSS/GSM/GSL GALLERIA SQUARE**  
70 - 1000W  
Pulse Start Metal Halide High Pressure Sodium Metal Halide



**ARCHITECTURAL AREA LUMINAIRE**  
**DARK SKY COMPLIANT** for GOLF

NOTE: In all flat glass configurations only.

**ENERGY DATA**

Fixture	A	B	C	D	E	F
GSS (Galleria Small)	9-1/4"	11-1/2"	13-3/8"	15-3/8"	6" or 8"	5-3/4"
GSM (Galleria Medium)	11"	13-1/2"	15-3/4"	17-3/4"	6" or 8"	5-3/4"
GSL (Galleria Large)	14-1/2"	16-1/2"	18-3/4"	21-3/4"	6" or 8"	5-3/4"

Fixture	Lamp Type	Wattage
GSS (Galleria Small)	Pulse Start Metal Halide (MPH)	70, 100, 150W
GSM (Galleria Medium)	Pulse Start Metal Halide (MPH)	70, 100, 150, 175, 200, 250, 300, 350, 400, 450, 500, 550, 600, 650, 700, 750, 800, 850, 900, 950, 1000W
GSL (Galleria Large)	Pulse Start Metal Halide (MPH)	250, 300, 350, 400, 450, 500, 550, 600, 650, 700, 750, 800, 850, 900, 950, 1000W

COOPER Lighting  
www.cooperlighting.com

**DESCRIPTION**

Galleria's beauty and versatility make it an excellent choice for roadway and general area lighting applications. An aesthetic reveal in the formed aluminum housing gives the Galleria a distinctive look while a variety of mounting options and lamp wattages provide maximum flexibility.

Galleria's superior light distributions makes it the optimum choice for almost any small, medium or large area lighting application.

**SPECIFICATION FEATURES**

**Construction HOUSING:** Formed aluminum housing with stamped reveal has interior-welded seams for structural integrity and is finished in premium TGIC polyester powder coat. U.L. listed and CSA certified for wet locations. **DOOR:** Formed aluminum door has heavy-duty hinges, captive retaining screws and is finished in premium TGIC polyester powder coat. (Spider mount unit has steel door.)

**Optical REFLECTOR:** Choice of 14 high efficiency optical systems utilizing horizontal and vertical lamp orientations. Optional high efficiency segmented optical systems constructed of premium 95% reflective anodized aluminum sheet. Optical segments are rigidly mounted inside a thick gauge aluminum housing for superior protection. All segment faces are clean of rivet heads, tabs or other means of attachment which may cause streaking in the light distribution. Standard with mogul-base socket. All optical modules feature quick disconnect wiring

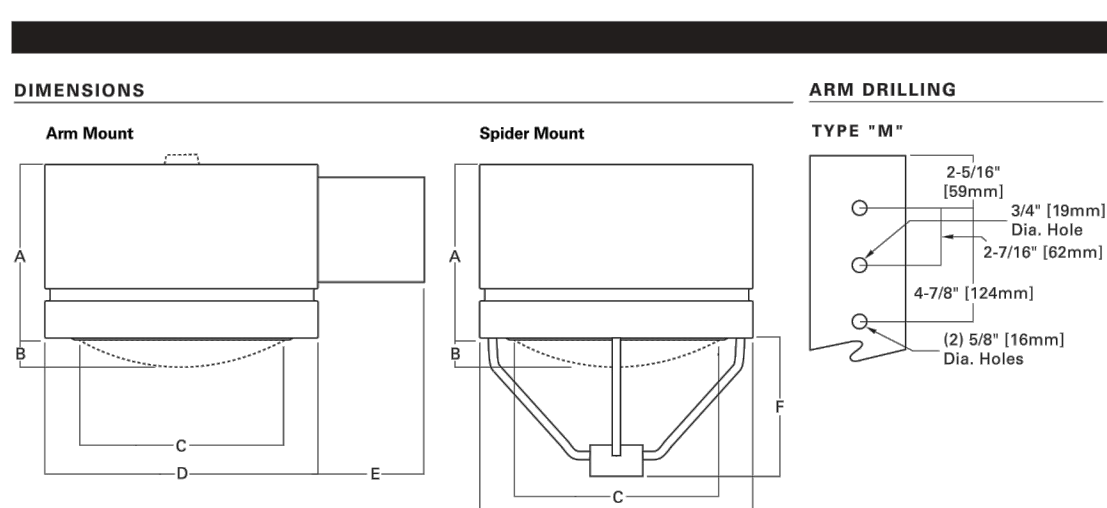
**Electrical BALLAST TRAY:** Ballast tray is hard-mounted to housing interior for cooler operation.

**McGRAW-EDISON**

Catalog #	GSM-AIS-320-MP-MT-SL-FG-BZ	Type	S2
Project		Date	
Comments			
Prepared by			



**GSS/GSM/GSL GALLERIA SQUARE**  
70 - 1000W  
Pulse Start Metal Halide High Pressure Sodium Metal Halide



**ARCHITECTURAL AREA LUMINAIRE**  
**DARK SKY COMPLIANT** for GOLF

NOTE: In all flat glass configurations only.

**ENERGY DATA**

Fixture	A	B	C	D	E	F
GSS (Galleria Small)	9-1/4"	11-1/2"	13-3/8"	15-3/8"	6" or 8"	5-3/4"
GSM (Galleria Medium)	11"	13-1/2"	15-3/4"	17-3/4"	6" or 8"	5-3/4"
GSL (Galleria Large)	14-1/2"	16-1/2"	18-3/4"	21-3/4"	6" or 8"	5-3/4"

Fixture	Lamp Type	Wattage
GSS (Galleria Small)	Pulse Start Metal Halide (MPH)	70, 100, 150W
GSM (Galleria Medium)	Pulse Start Metal Halide (MPH)	70, 100, 150, 175, 200, 250, 300, 350, 400, 450, 500, 550, 600, 650, 700, 750, 800, 850, 900, 950, 1000W
GSL (Galleria Large)	Pulse Start Metal Halide (MPH)	250, 300, 350, 400, 450, 500, 550, 600, 650, 700, 750, 800, 850, 900, 950, 1000W

COOPER Lighting  
www.cooperlighting.com

**DESCRIPTION**

Galleria's beauty and versatility make it an excellent choice for roadway and general area lighting applications. An aesthetic reveal in the formed aluminum housing gives the Galleria a distinctive look while a variety of mounting options and lamp wattages provide maximum flexibility.

Galleria's superior light distributions makes it the optimum choice for almost any small, medium or large area lighting application.

**SPECIFICATION FEATURES**

**Construction HOUSING:** Formed aluminum housing with stamped reveal has interior-welded seams for structural integrity and is finished in premium TGIC polyester powder coat. U.L. listed and CSA certified for wet locations. **DOOR:** Formed aluminum door has heavy-duty hinges, captive retaining screws and is finished in premium TGIC polyester powder coat. (Spider mount unit has steel door.)

**Optical REFLECTOR:** Choice of 14 high efficiency optical systems utilizing horizontal and vertical lamp orientations. Optional high efficiency segmented optical systems constructed of premium 95% reflective anodized aluminum sheet. Optical segments are rigidly mounted inside a thick gauge aluminum housing for superior protection. All segment faces are clean of rivet heads, tabs or other means of attachment which may cause streaking in the light distribution. Standard with mogul-base socket. All optical modules feature quick disconnect wiring

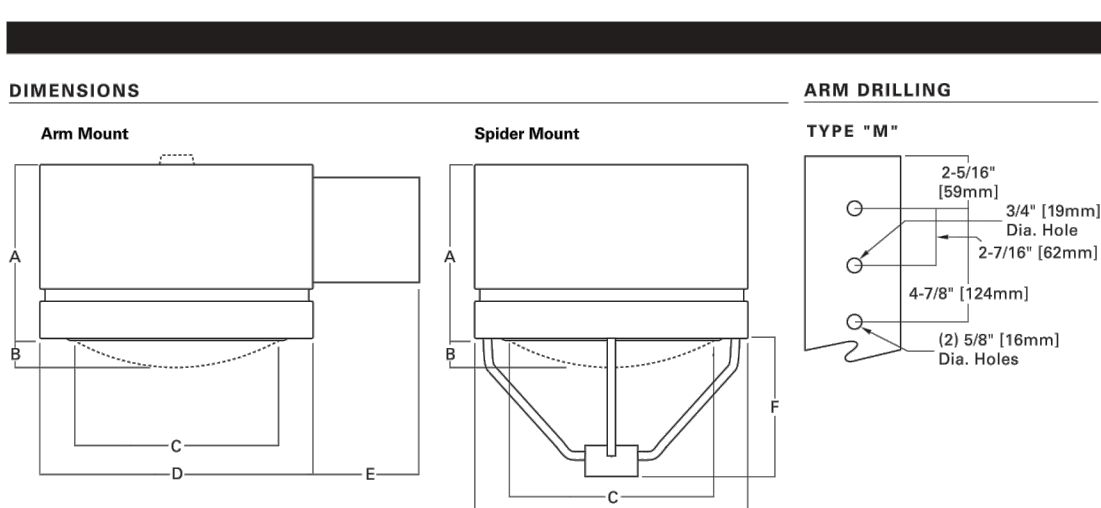
**Electrical BALLAST TRAY:** Ballast tray is hard-mounted to housing interior for cooler operation.

**McGRAW-EDISON**

Catalog #	GSM-AIS-320-MP-MT-SF-FG-BZ-HS	Type	S1
Project		Date	
Comments			
Prepared by			



**GSS/GSM/GSL GALLERIA SQUARE**  
70 - 1000W  
Pulse Start Metal Halide High Pressure Sodium Metal Halide



**ARCHITECTURAL AREA LUMINAIRE**  
**DARK SKY COMPLIANT** for GOLF

NOTE: In all flat glass configurations only.

**ENERGY DATA**

Fixture	A	B	C	D	E	F
GSS (Galleria Small)	9-1/4"	11-1/2"	13-3/8"	15-3/8"	6" or 8"	5-3/4"
GSM (Galleria Medium)	11"	13-1/2"	15-3/4"	17-3/4"	6" or 8"	5-3/4"
GSL (Galleria Large)	14-1/2"	16-1/2"	18-3/4"	21-3/4"	6" or 8"	5-3/4"

Fixture	Lamp Type	Wattage
GSS (Galleria Small)	Pulse Start Metal Halide (MPH)	70, 100, 150W
GSM (Galleria Medium)	Pulse Start Metal Halide (MPH)	70, 100, 150, 175, 200, 250, 300, 350, 400, 450, 500, 550, 600, 650, 700, 750, 800, 850, 900, 950, 1000W
GSL (Galleria Large)	Pulse Start Metal Halide (MPH)	250, 300, 350, 400, 450, 500, 550, 600, 650, 700, 750, 800, 850, 900, 950, 1000W

COOPER Lighting  
www.cooperlighting.com

**SPECIFICATION SHEET**

Client: \_\_\_\_\_  
Project name: \_\_\_\_\_  
Order # 1BS-277-4000-VN-SL-KN  
Type: FL Qty: \_\_\_\_\_

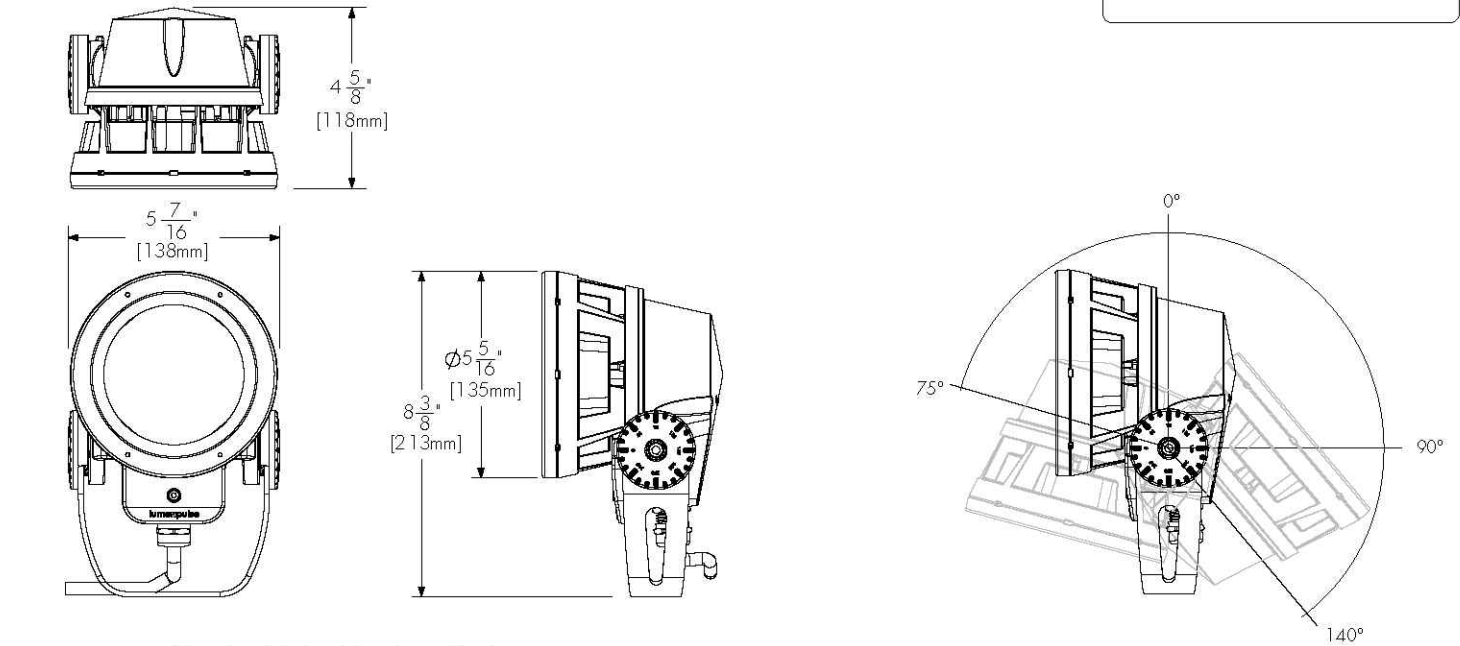
**lumenbeam™**  
SMALL STATIC COLORS PRELIMINARY

**FEATURES AND BENEFITS**

- Physical:**
- Low copper content high pressure die-cast aluminum housing
  - Heavy aluminum formed yoke
  - Stainless steel hardware
  - Silicone sealing devices
  - Clear tempered glass
  - Dual chamber design for heat management and ease of maintenance
  - Electrostatically applied polyester powder coat finish
  - 2.40 kg / 5.20 lbs
  - EPA: Foot = 0.35 sq.ft./0.033 sq.m., Side = 0.31 sq.ft./0.029 sq.m.
  - IP66
  - Corrosion-resistant option for marine environments

- Performance:**
- 6°, 10°, 20°, 40°, Elliptical distribution on 10° and 40° optics
  - CRI values: 78+
  - Lumen maintenance 120,000 hrs [L70 @ 25°C]
  - Operating temperature: -25° C to 50° C [F13 to 122F]

- Electrical:**
- Line voltage luminaires for 120 to 277V
  - Power and data in 1 cable, 3R/1m cable (#16-5)
  - 1.4 watts
  - 0-10 volt, DMX or DALI dimming options



1/7 Lumenpulse, 1751 Richardson, Suite 1005, Alhambra (Calif.) 91801 USA • 1.877.973.7003 • P 514.937.3003 • F 514.937.4299  
info@lumenpulse.com www.lumenpulse.com  
Copyright © 2012 Lumenpulse  
Lumenpulse reserves the right to make changes to this product at any time without prior notice and such modification shall be effective immediately.

**lumenpulse**  
Sustainable architectural LED lighting systems

**SPECIFICATION SHEET**

**HOW TO ORDER**

LBS	277	4000	VN	SL	KN	Option
Housing	1	2	3	4	5	6
Voltage	120 - 120 volts	208 - 208 volts	240 - 240 volts	277 - 277 volts		
Colors and Color temperatures:	27K - 2700K	30K - 3000K	35K - 3500K	40K - 4000K	57K - 5700K	
Optic:	VN - Very Narrow 6°	NS - Narrow Spot 10°	NF - Narrow Flood 20°	FL - Flood 40°		

- Housing:** LBS - Lumenbeam™ Small
- Voltage:** 120 - 120 volts  
208 - 208 volts  
240 - 240 volts  
277 - 277 volts
- Colors and Color temperatures:** 27K - 2700K, 30K - 3000K, 35K - 3500K, 40K - 4000K, 57K - 5700K
- Optic:** VN - Very Narrow 6°, NS - Narrow Spot 10°, NF - Narrow Flood 20°, FL - Flood 40°

- Optical Option:** LS/H - Linear Spread Lens Horizontal distribution, LS/V - Linear Spread Lens Vertical distribution
- \*Factory installed. See Optical Accessories for field adjustable spread lens.
- Finish:** SL - Silver SandText, BK - Black SandText, WH - White, CC - Custom (please specify RAL color)
- Dimming:** DIM - 0-10V Dimming option, DMX - DMX Dimming option, DALI - DALI Dimming option, NO - No Dimming
- Mounting Option:** SK - Stake Mounting, KN - Knuckle Mounting, CN - Canopy Cover Mounting
- Option:** CRC - Corrosion-resistant Coating

7/7 Lumenpulse, 1751 Richardson, Suite 1005, Alhambra (Calif.) 91801 USA • 1.877.973.7003 • P 514.937.3003 • F 514.937.4299  
info@lumenpulse.com www.lumenpulse.com  
Copyright © 2012 Lumenpulse  
Lumenpulse reserves the right to make changes to this product at any time without prior notice and such modification shall be effective immediately.

**lumenpulse**  
Sustainable architectural LED lighting systems

**LITHONIA LIGHTING**

**FEATURES & SPECIFICATIONS**

**INTENDED USE** — Streets, walkways, parking lots and surrounding areas.

**CONSTRUCTION** — Rugged, die-cast, single piece aluminum housing with nominal wall thickness of 0.12" die-cast, top-access door frame has impact resistant, tempered, glass lens (7/16" thick). Door frame is fully gasketed with one-piece tabular silicone.

**Finish**— Exterior parts are protected by zinc-infused Super Durable TGIC Thermoseal powder coat finish that provides superior resistance to corrosion and weathering. A highly controlled multi-stage process ensures a minimum 3-year lifespan for a finish that can withstand extreme climate changes without cracking or peeling. Standard Super Durable colors include: dark bronze, black, natural aluminum and white. Available in textured and non-textured finishes.

**OPTICS** — Precision acrylic refractive optics for optimum light distribution through the flat glass lens. Available in type 2, type 3, type 4 and type 5.

**ELECTRICAL** — High efficiency nominal 4000K, 65 CRI LEDs mounted to a metal-core circuit board and aluminum heat sink, ensuring optimal thermal management and long life. Designed to provide more than 60,000 hours of performance @ 85% L70 (77° ambient temperature). Standard and dimming drivers are available in 120-277V and 0-10V/DMX/DAI. Drivers have power factor > 90% and THD < 20%. Expected drive life is over 60,000 hours, matching the light engine life. Integral surge protection tested in accordance with IEEE/ANSI G2.41.2 to Category C100.

**INSTALLATION** — First top mounts to a 4" OD open pole top (round pole only).

**LISTINGS** — CSA certified for U.S. and Canadian standards, IP65 rated.

**U.S. Patent No. 553,779**

**WARRANTY** — Five-year limited warranty.

Note: Specifications in change without notice.

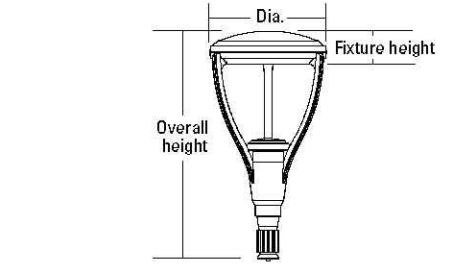
Category: MRP-1-63B550/40K-FR4-MVOLT-DDBXD

Notes: \_\_\_\_\_

Type: P1



**MRP LED**  
Architectural Area & Roadway Lighting



**ORDERING INFORMATION** Lead times will vary depending on options selected. Consult with your sales representative. Example: MRP LED 1-63B550/40K-SRS-MVOLT-DDBXD

MRP LED	1	63B550/40K	SR4	MVOLT	DDBXD		
Series	MRP LED 1	496350/40K 618350/40K 618350/40K 618350/40K	SR2 type I SR3 type III SR4 type IV SR5 type V	40VOLT 120 208 240	Shipped included 4" round open-top pole Optional mounting, shipped separately** MRP120 MRP tenon splitter for 2-3/8" tenon MRP125 MRP tenon splitter for 2-7/8" tenon MRP130 MRP tenon splitter for 3-1/2" tenon MRP135 MRP tenon splitter for 4" tenon MRP15 MRP pole adaptor for 3" round, open-top pole MRP15 MRP pole adaptor for 5" round, open-top pole	Options Shipped installed in fixture PER NEHA twist-lock receptacle only (no photocell) Stippled lens (120V, 277, and 347V) DF Double face (208, 240, 480V) DMG Dimming option** DML Diffusing lens** Shipped separately** DSS124F 1.5TBIE U REMS01 NMT J1 SCU Shorting clip	Finish** DDBXD Dark bronze DDBJ Black DDBU Natural aluminum DDBW White DDBXD Dark bronze textured DDBJ Dark bronze textured DDBU Natural aluminum textured DDBW White textured

**Notes:**

- Configured with 4000K (40K) provides the shortest lead times. 3000K (30K) and 5000K (50K) are also available. Please consult factory for additional information.
- Multi-wire driver capable of operating on any voltage range from 120V-277V.
- May be selected as necessary.
- Must specify finish when ordered as an accessory.
- Maximum open wire length is 600'.
- Must specify voltage, not available with DALI.
- Not available with 0-10V/DMX.
- Must order PER option. Must be ordered as separate line item.
- Order from Acuity Brands Controls. Not available for 347V.
- Not to be specified.

**PERMIT SET 09-27-12**

**NOTE**

THESE DRAWINGS ARE PREPARED PER ESTABLISHED INDUSTRY STANDARDS AND REPRESENT THE ENGINEERS DESIGN CONCEPT. THEY ARE NOT INTENDED TO PROVIDE EVERY DETAIL OR CONDITION REQUIRED TO CONSTRUCT THE BUILDING. THE CONTRACTOR THROUGH SUBMITTALS AND OTHER COORDINATION EFFORTS IS FULLY RESPONSIBLE FOR PROVIDING A COMPLETE AND OPERATIONAL BUILDING WHETHER INDICATED ON THE PLANS OR NOT.

**anderson architecture, inc.**  
399 CAMINO GARDENS BLVD. SUITE 202 BOCA RATON, FLORIDA 33432  
V: 561.362.0220 F: 561.362.0224  
www.andersonarchitecture.com

consultant:  
**TYECO**  
HVAC PLUMBING ELECTRICAL  
112 SOUTHEAST 10TH STREET DELRAY BEACH, FL 33483  
E-MAIL: TYECO@TYECOFLA.COM  
TEL: 561-274-0200 FAX: 561-274-0222

CERTIFICATE OF AUTHORIZATION #999

ANDREW J. YOUNGROSS  
NO. 57558  
STATE OF FLORIDA  
PROFESSIONAL ENGINEER

**Hampton**

**HAMPTON INN & SUITES**  
Developed By: Coconut Creek Hospitality Group, LLC  
North State Road 7  
Coconut Creek, Florida

revision: \_\_\_\_\_  
date: \_\_\_\_\_  
commission: 11-033/12037  
principal: DET/AJY  
project manager: DJM  
file name: 12037E-1.3.DWG  
date: 09-27-12  
title: SITE LIGHTING DETAILS

13-1.3  
at: 21 E