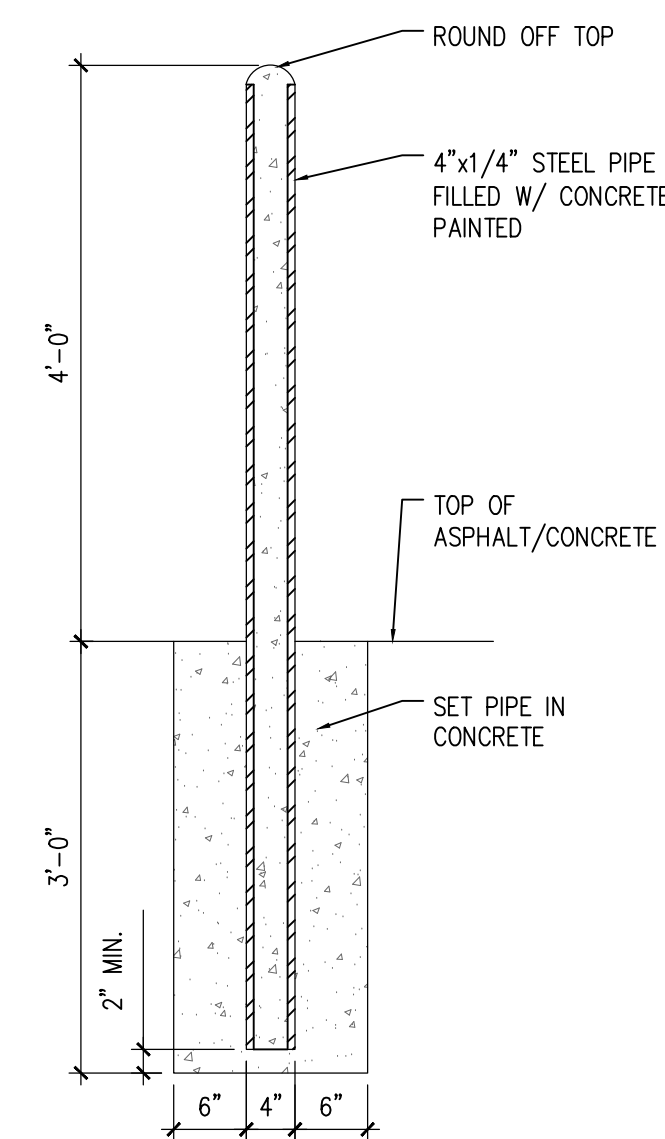
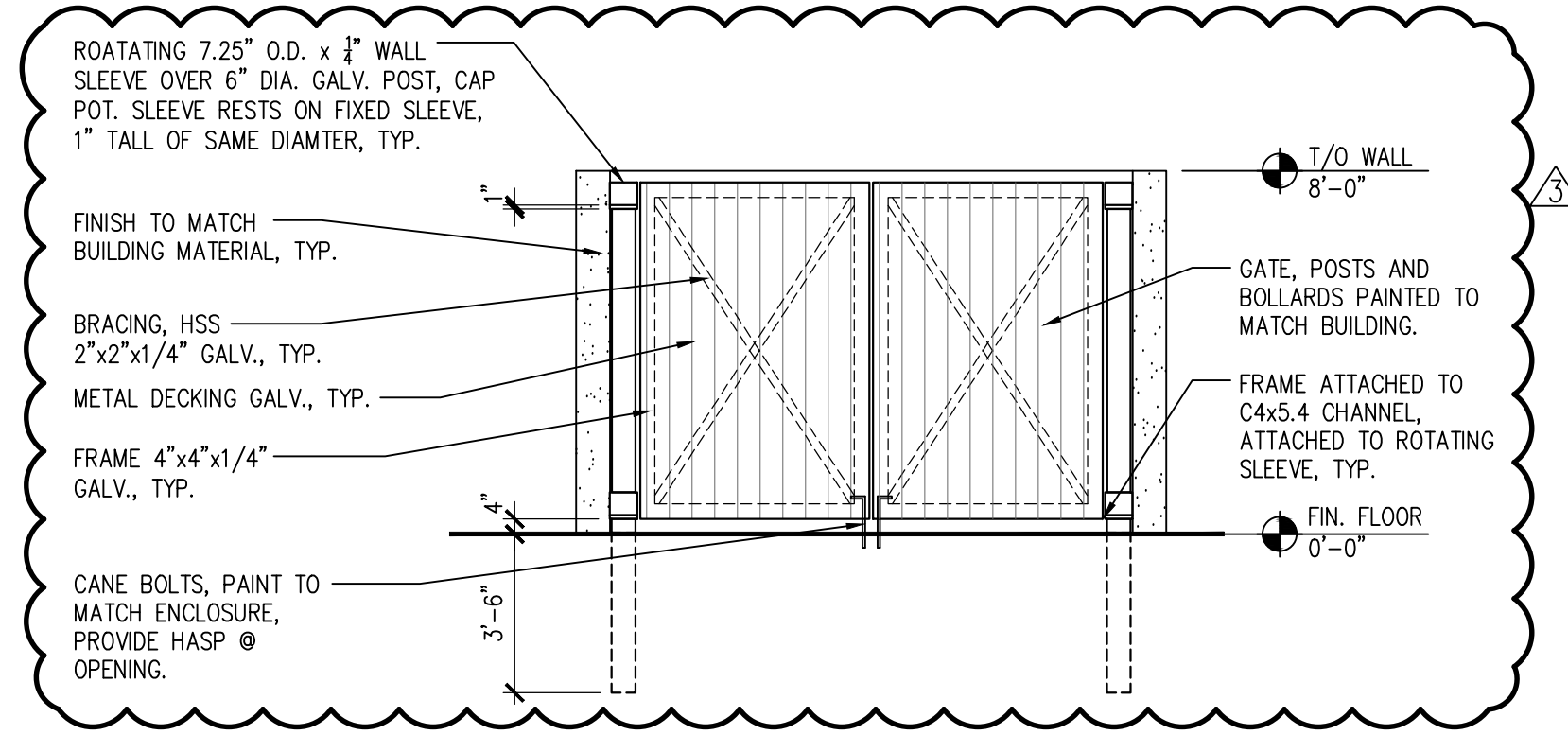


NOTE:
SECTIONS & DETAILS ALSO APPLY
TO DUMPSTER ENCLOSURE, RE:
SITE PLAN FOR DUMPSTER
LOCATION

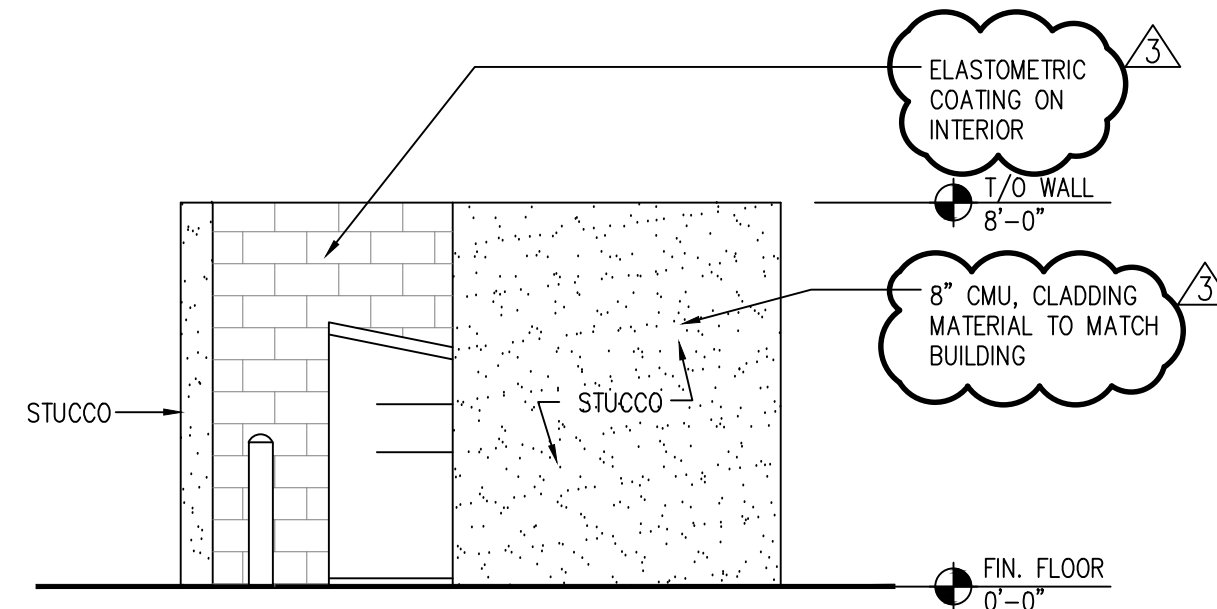
4 GATE HINGE DETAIL
SCALE: 1" = 1'-0"



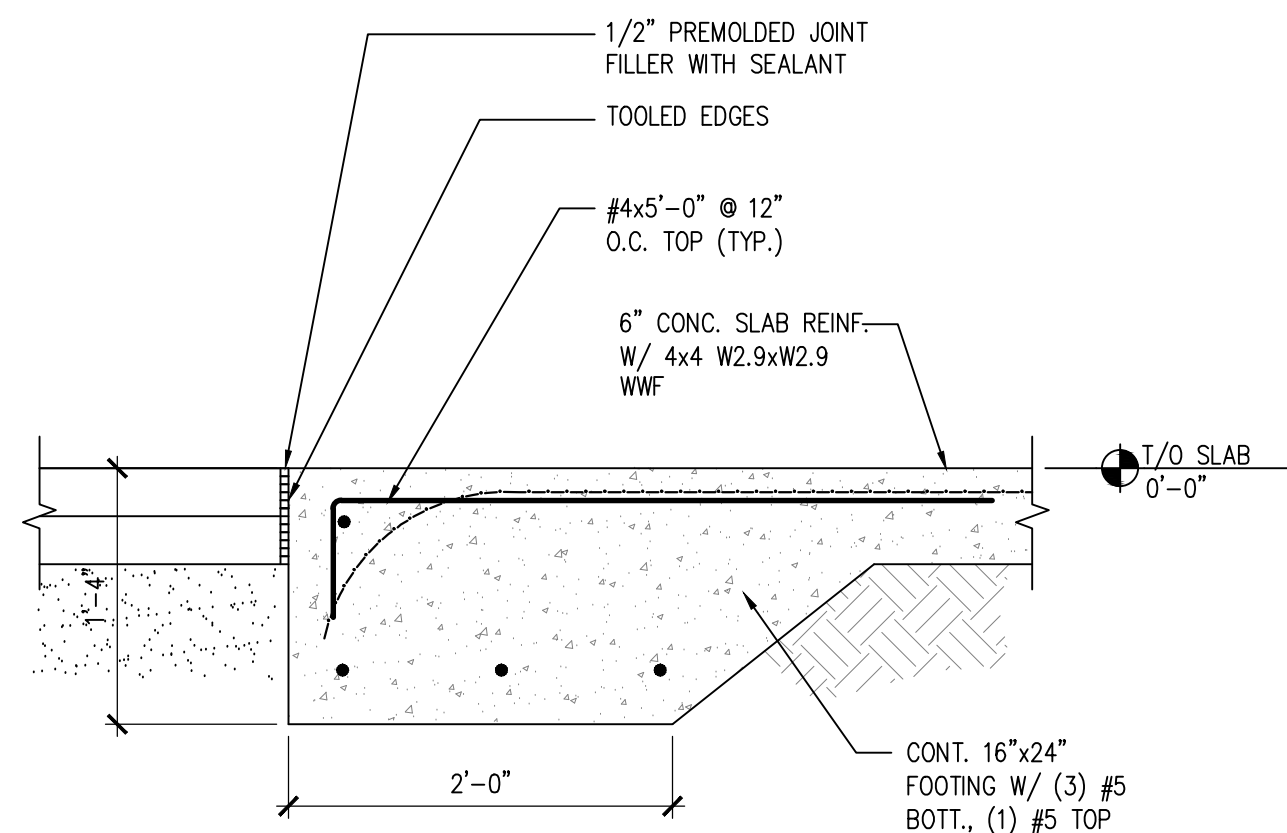
7 DUMPSTER BOLLARD DETAIL
SCALE: 3/4" = 1'-0"



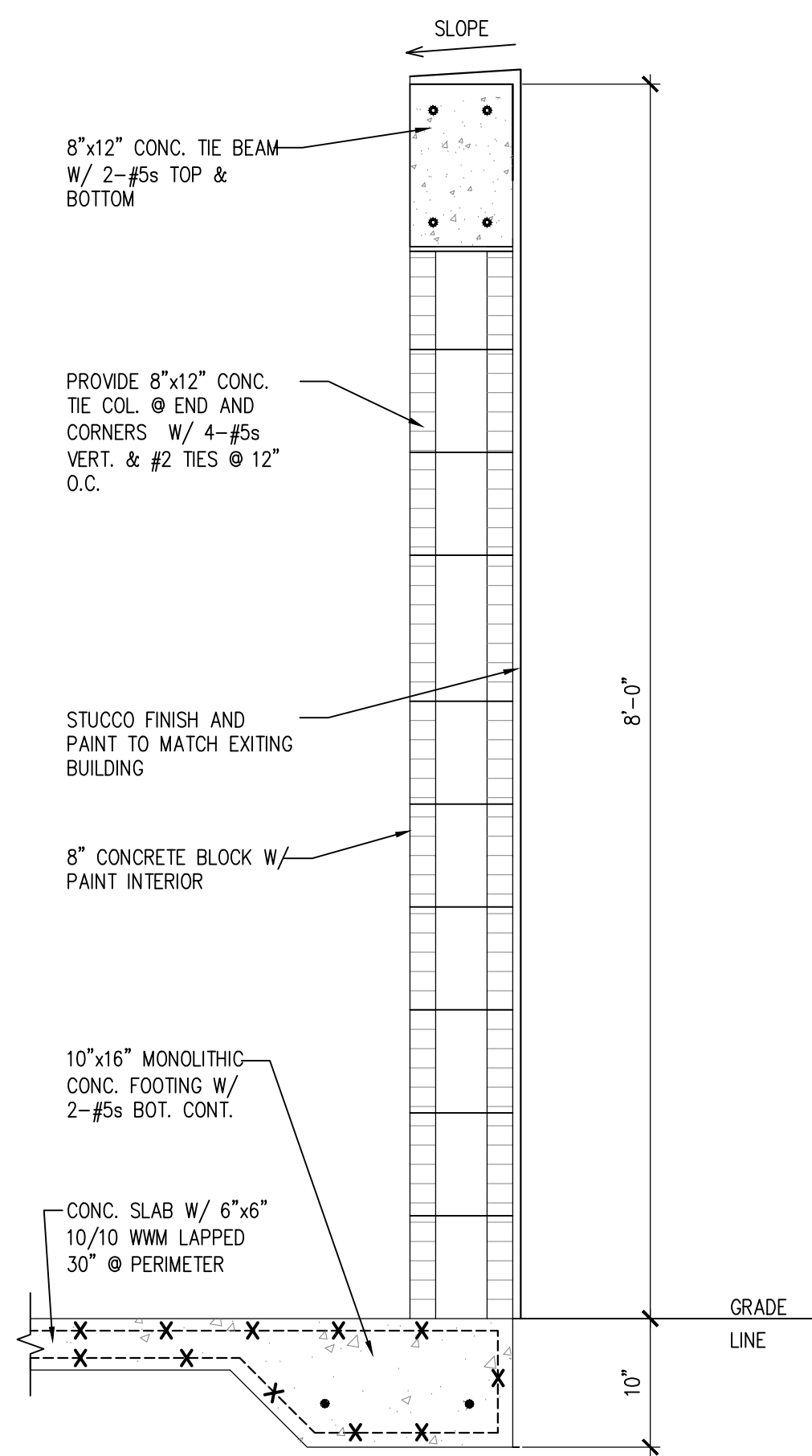
3 DUMPSTER FRONT ELEVATION
SCALE: 1/4" = 1'-0"



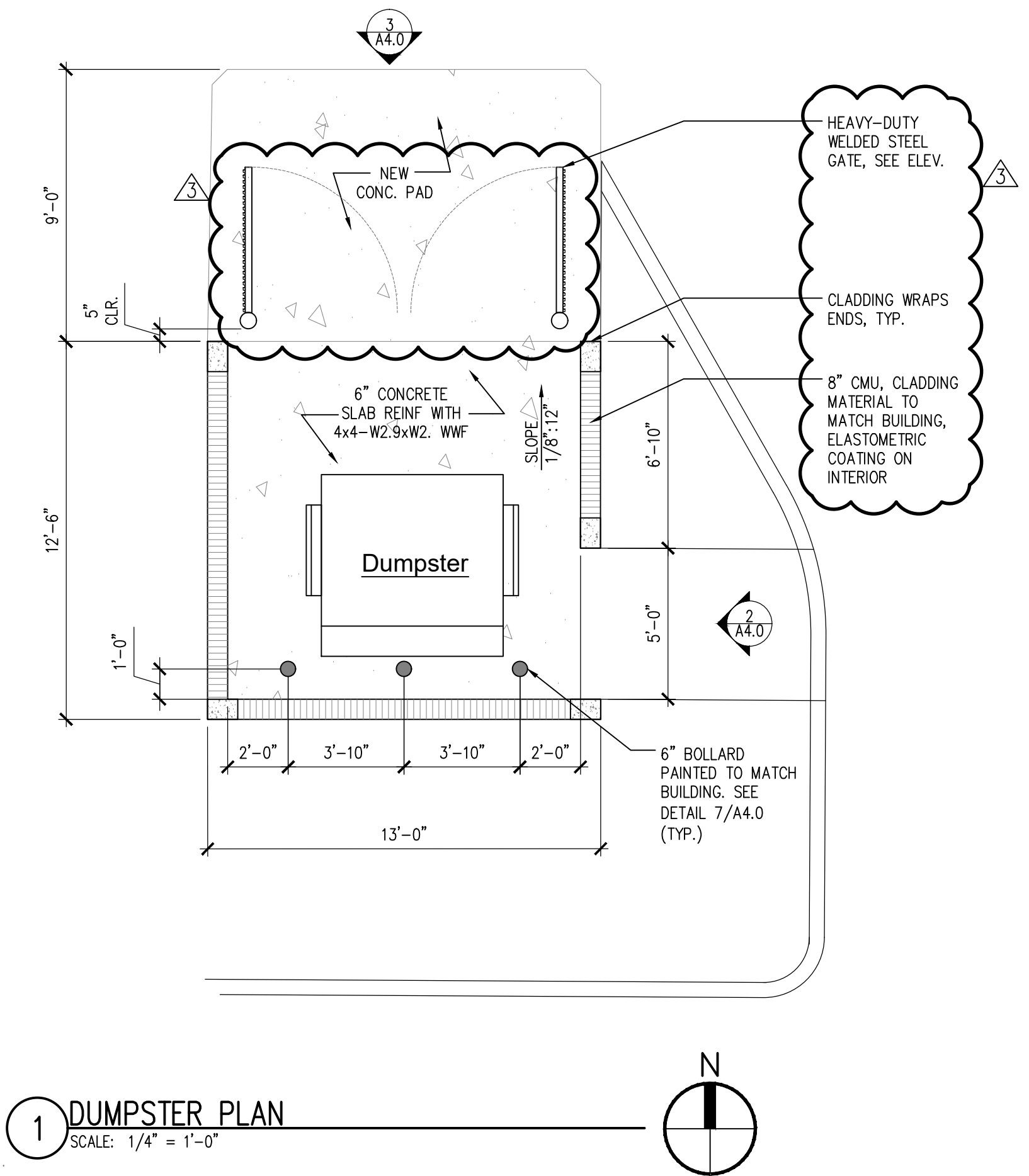
2 DUMPSTER FRONT ELEVATION
SCALE: 1/4" = 1'-0"



5 CONCRETE APRON DETAIL
SCALE: 1" = 1'-0"



6 DUMPSTER WALL SECTION
SCALE: 1" = 1'-0"



1 DUMPSTER PLAN
SCALE: 1/4" = 1'-0"

date	description	title	description
02.16.17	SPA SUBMITTAL REVISION #1		
03.04.18	DRG COMMENT REVISION #3		