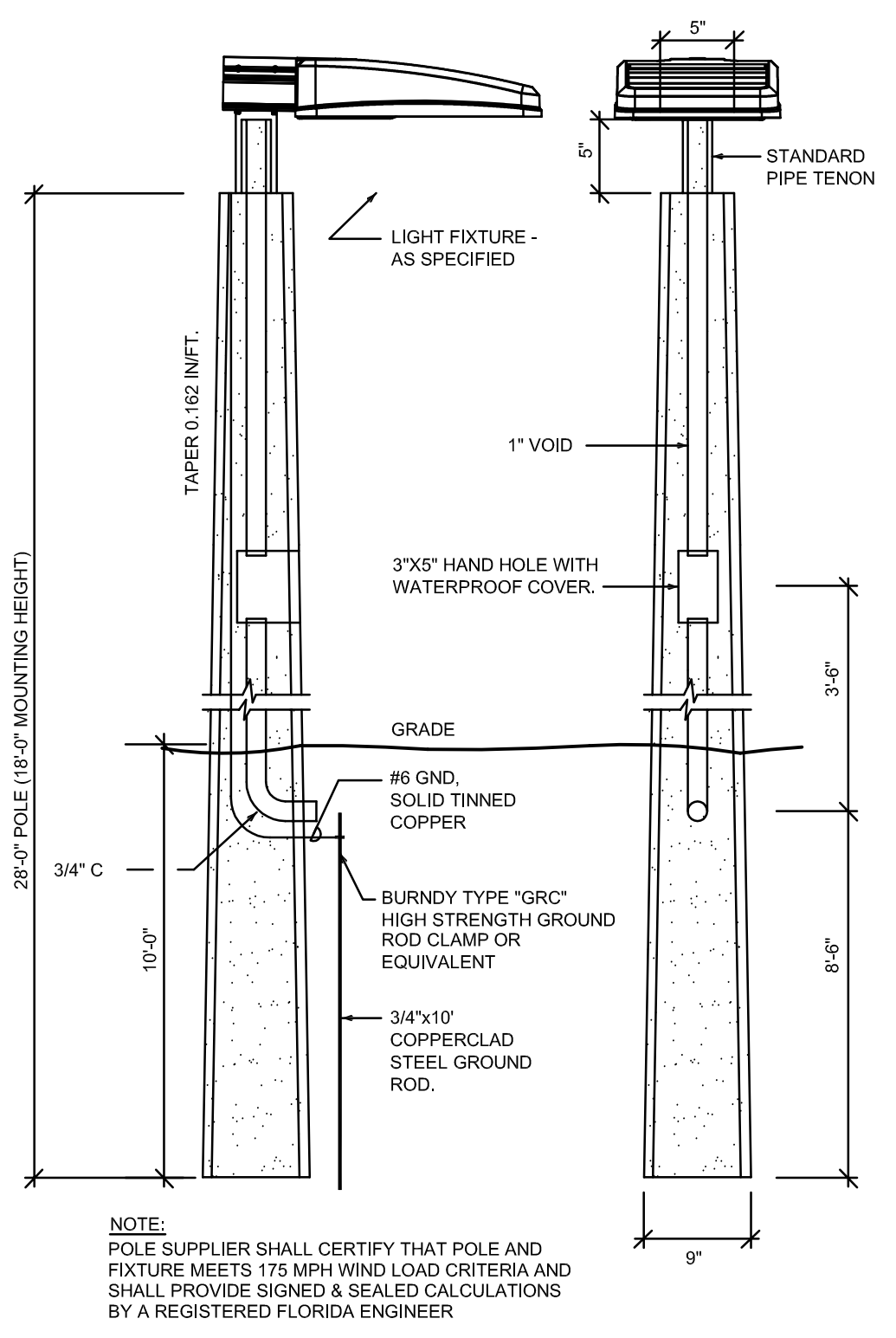


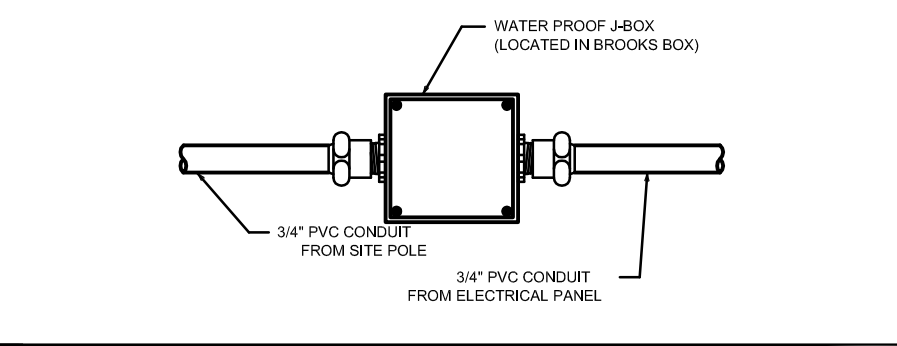
In accepting and utilizing any form of media generated and provided by T&T Design and Development Inc., the Recipient covenants and agrees that all such drawings and data are instruments of service of T&T Design and Development Inc., who shall be deemed the author of the drawings and data, and shall retain all common law and other rights, including copyrights. The Recipient further agrees not to use the documents in whole or in part, for any purpose or project other than the project which is the subject of this Agreement. The Recipient agrees to waive all claims against T&T Design and Development Inc. resulting in any way from any unauthorized changes or reuse of the drawings and data for any other project by anyone other than T&T Design and Development Inc. In addition, the Recipient agrees, to the fullest extent permitted by law, to indemnify and hold T&T Design and Development Inc. harmless from any damage, liability or cost, including reasonable attorney's fees and costs of defense, arising from any changes made by anyone other than T&T Design and Development Inc. or from any reuse of the drawings and data without the prior written consent of T&T Design and Development Inc. Under no circumstances shall transfer of the drawings and other instruments of service on electronic media for use by the Recipient be deemed a sale by merchantability and fitness for any particular purpose.

LUMINAIRE SCHEDULE

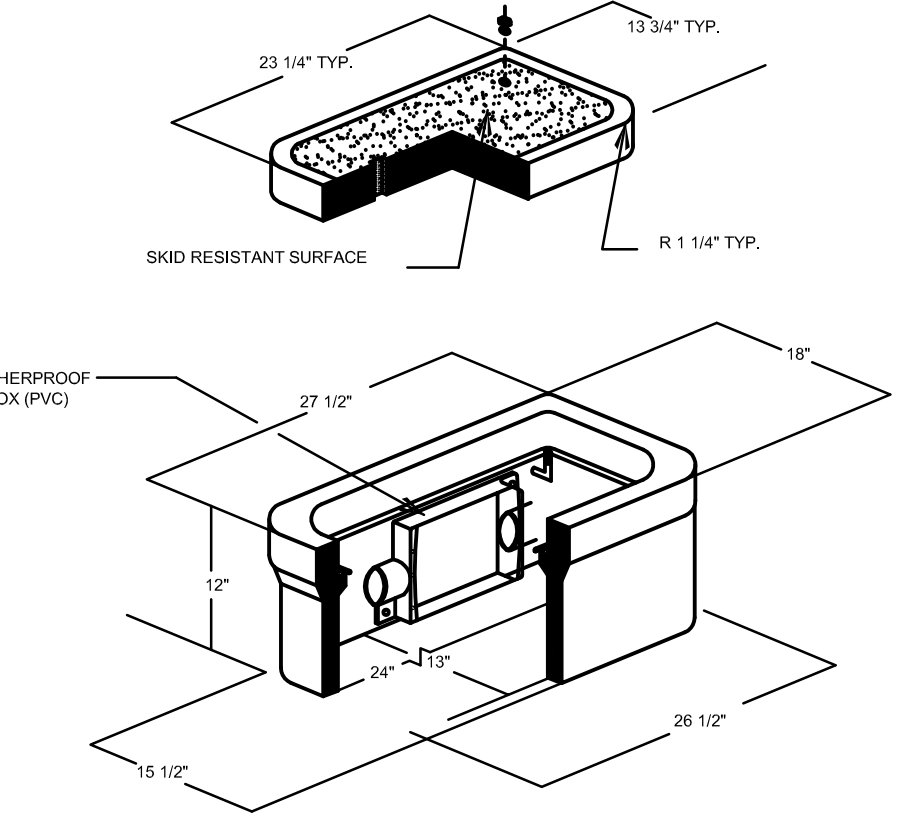
Symbol	Label	Qty	Catalog Number	File	LLF	Watts
□	SA	18	SPAULDING LIGHTING CL1 A 90L U 5K 4 BC COLOR (POLE MT @ 25 FT AFG - 22,509 LUMENS)	CL1-90L-5K-4-BC N2.ies	1.00	225
□	SB	3	SPAULDING LIGHTING CL1 A 90L U 5K 4 BC COLOR (POLE MT @ 25 FT AFG - 22,509 LUMENS)	CL1-90L-5K-4-BC N2.ies	1.00	225
□	SC	5	SPAULDING LIGHTING CL1 A 90L U 5K 4 COLOR (POLE MT @ 22,509 LUMENS)	CL1-90L-5K-4-N2.ies	1.00	225



A LIGHT POLE DETAIL
SCALE: N.T.S.



B SITE LIGHTING CONNECTION DETAIL
SCALE: N.T.S.



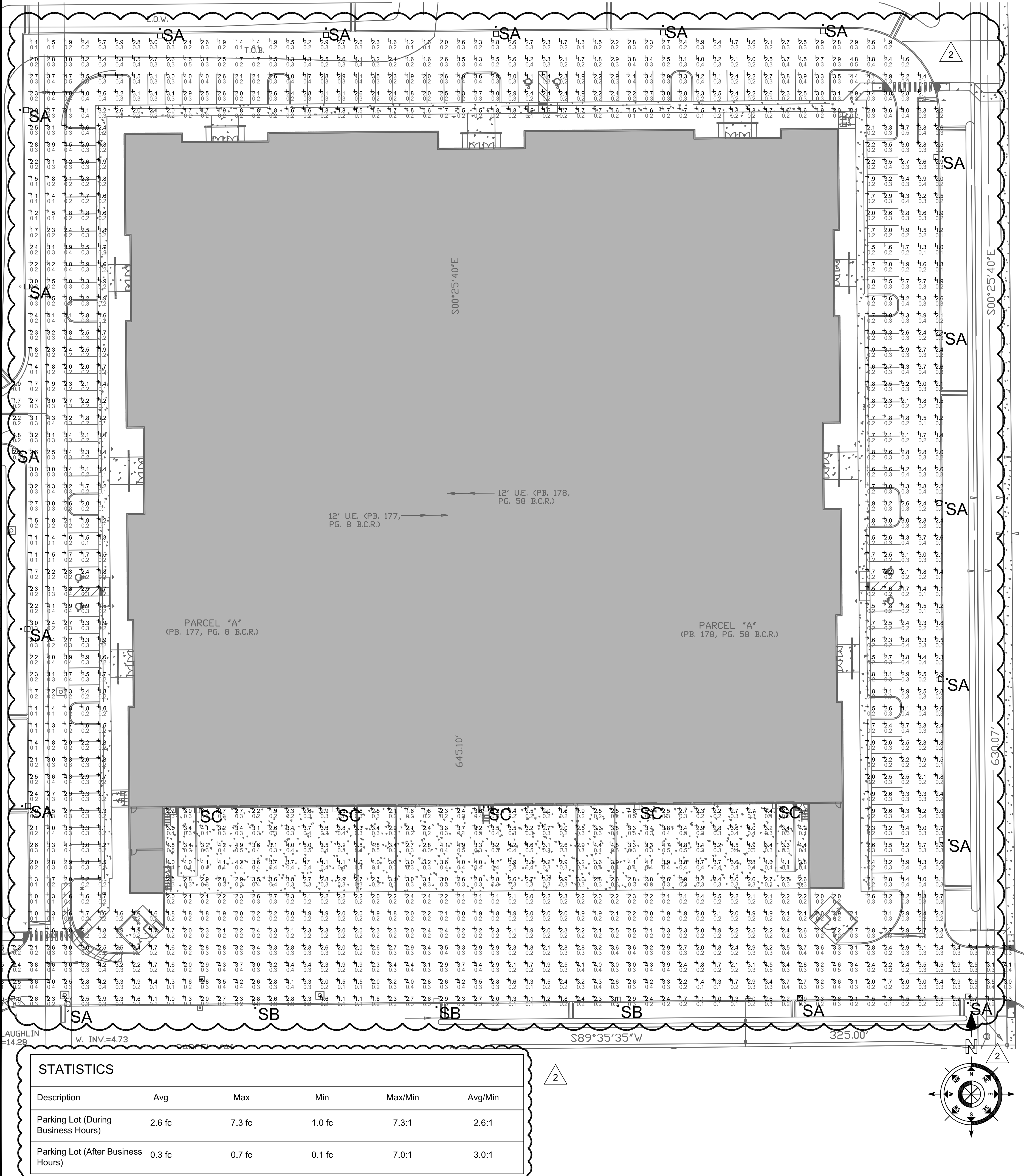
C BROOKS BOX DETAIL
SCALE: N.T.S.

TO CONFIRM THAT THE SPECIFIED PHOTOMETRIC CRITERIA HAS BEEN MET, THE PHOTOMETRIC FILE AS A DWG FOR THE PROPOSED ALTERNATE/SUBSTITUTION MUST BE SUBMITTED TO T&T DESIGN AND CONSULTING ENGINEERS FOR EVALUATION NO LESS THAN 10 DAYS PRIOR TO BID. ANY ACCEPTABLE ALTERNATE/SUBSTITUTE MUST BE APPROVED IN WRITING PRIOR TO BID DATE.

DURING BUSINESS HOURS:
Total Lumens Allowed Per Site
Hardscape Area (SF) - 285,715
Allowed Lumens per SF of Hardscape - 7.5 (Commercial/Office Land Use)
Site Allowed Total Lumens (Lumens per SF X Hardscape) - 2,142,862

AFTER BUSINESS HOURS:
One hour after the close of business hours a Hubbell Lighting CX Lighting Control Panel w/ an Astronomical Time Clock will reduce and dim all of the pole and wall mounted fixtures illuminating the hardscape area by 90% in order to be compliant with a maximum of 1 foot candle at any point.

C TOTAL LUMENS CHART
SCALE: N.T.S.



STATISTICS

Description	Avg	Max	Min	Max/Min	Avg/Min
Parking Lot (During Business Hours)	2.6 fc	7.3 fc	1.0 fc	7.3:1	2.6:1
Parking Lot (After Business Hours)	0.3 fc	0.7 fc	0.1 fc	7.0:1	3.0:1

I PHOTOMETRIC PLAN
SCALE: 1"=30'

D LUMINAIRE SCHEDULE
SCALE: N.T.S.

C LIGHTING COMPLIANCE
SCALE: N.T.S.

Lighting Compliance Chart:

Lamp Descriptions	Qty.	Luminaire Lumens	Total
225W LED	26	22,509	585,234
		Total Luminaire Lumens	585,234
		Site Allowed Total Lumens	2,142,862
		Project Is Compliant?	Yes

T&T Design and Development Inc.
 6810 Lyons Technology Circle
 Suite 140, Coconut Creek, FL
 Phone: (954) 725-9499
 Fax: (954) 725-9158
 www.ttdesigninc.com

JOHNSON TECHNOLOGY PARK 2
 COCONUT CREEK, FLORIDA, 33073

PHOTOMETRIC
 BUILDING 2
 SHEET TITLE:

REV. DATE: 02-17-2016
 ISSUE FOR: DRC SUBMITTAL
 DRC CORRECTIONS #1
 02-17-2016
 DRC CORRECTIONS #2
 02-11-2016

EDWARD TORRES AR 64792
 DRAWING NO. **PH101**
 ELITE ALUMINUM CORP. 4650 Lyons Technology Parkway, Coconut Creek, FL 33073