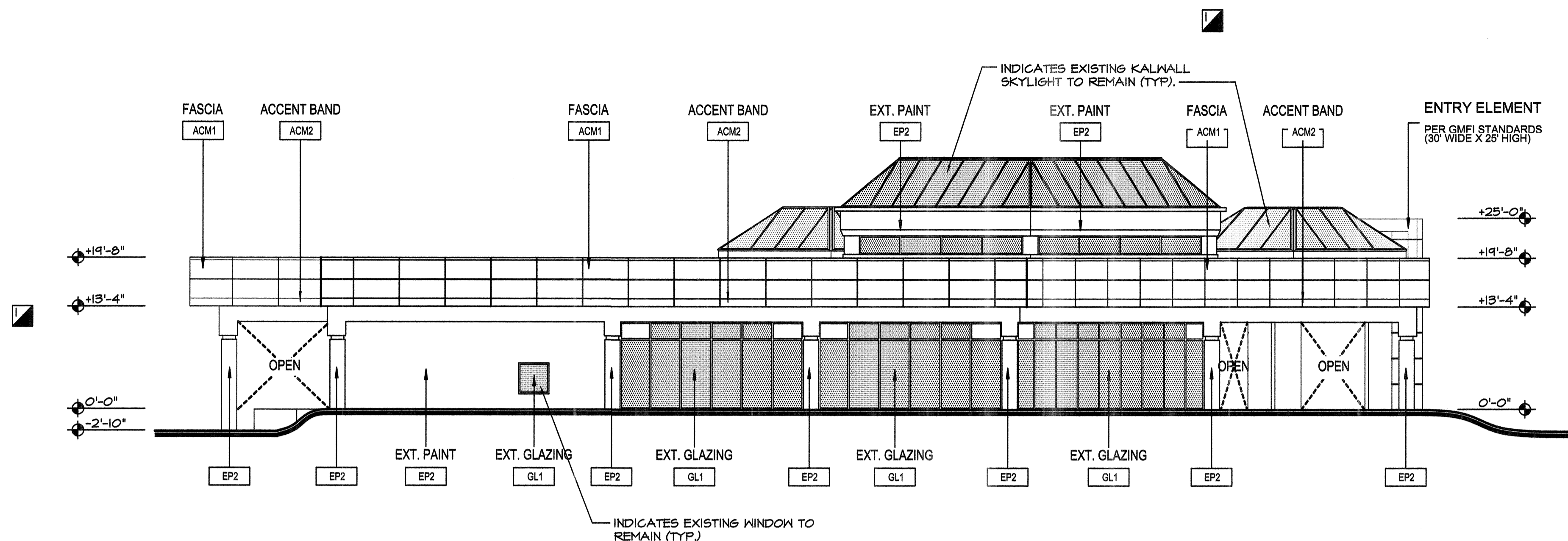


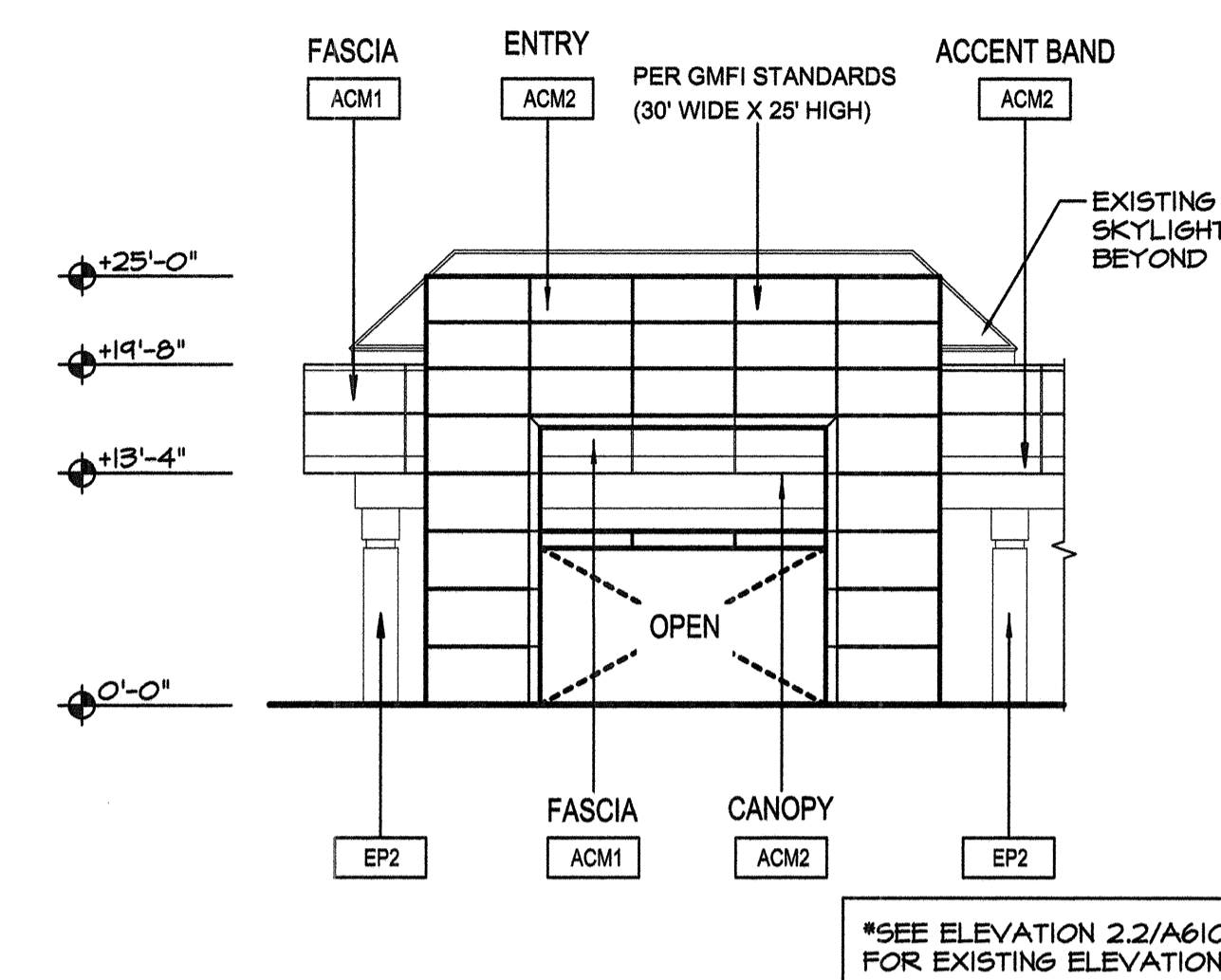
consultant:



SALES BUILDING - NORTH EXTERIOR ELEVATION

3/32" = 1'-0"

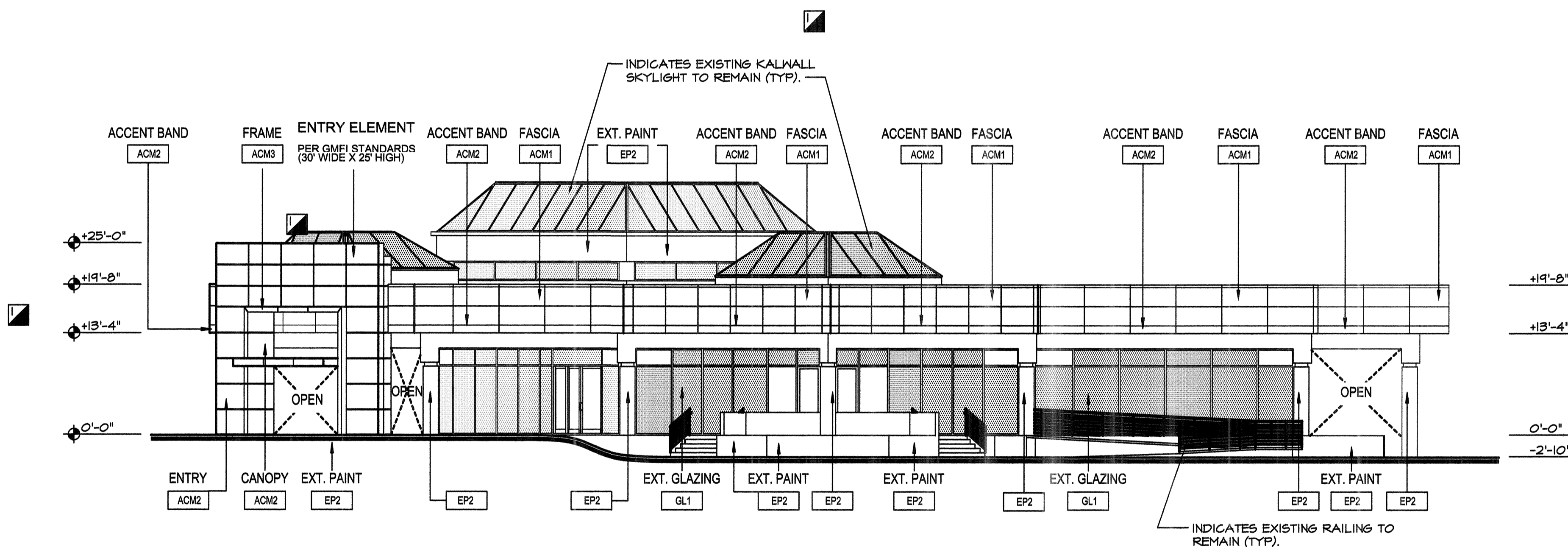
1
A610



SALES BUILDING - PROPOSED SOUTHWEST ELEVATION

3/32" = 1'-0"

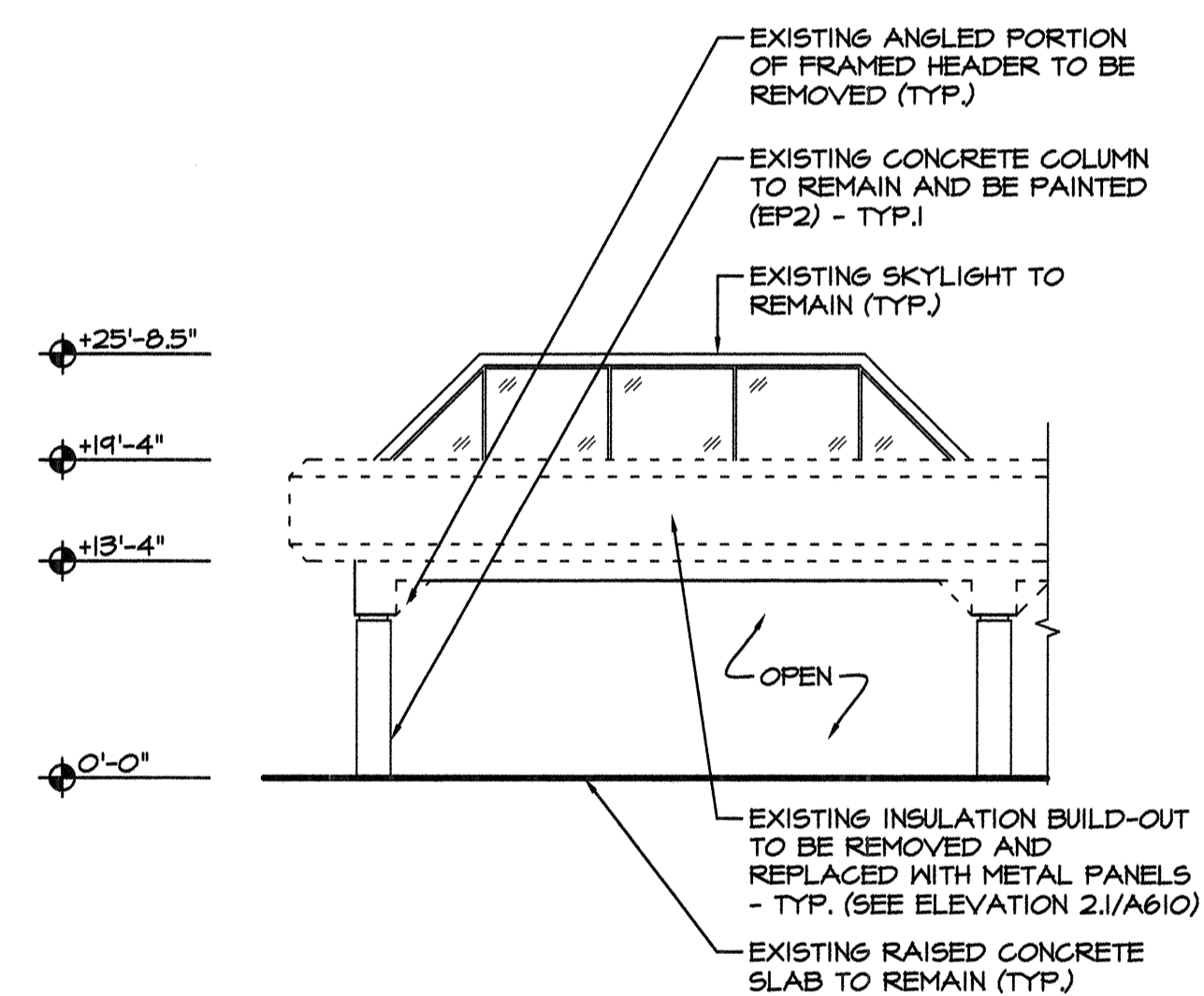
2.1
A610



SALES BUILDING - SOUTH EXTERIOR ELEVATION

3/32" = 1'-0"

2
A610

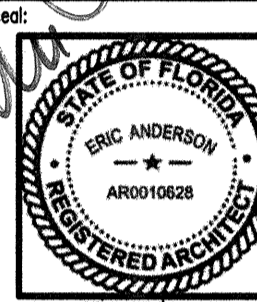


SALES BUILDING - EXISTING SOUTHWEST ELEVATION

3/32" = 1'-0"

2.2
A610

FINISH KEY	
ACM1	ALUMINUM COMPOSITE MATERIAL, COLOR: ALPOLIC TBX BRIGHT ALUMINUM METALLIC
ACM2	ALUMINUM COMPOSITE MATERIAL, COLOR: ALPOLIC CVB BLUE - COLOR TO MATCH PMS 300 (CHEVROLET BLUE)
ACM3	ALUMINUM COMPOSITE MATERIAL, COLOR: ALPOLIC DM HLZ ALUMINUM BRUSHED HAIRLINE ALUMINUM
GL1	EXISTING STOREFRONT GLAZING TO REMAIN U.N.O.
* REFER TO FINISH LEGEND, SHEET A-XXX FOR EXTERIOR PAINT COLORS	



An Exterior Facade Renovation for:
BACHRODT CHEVROLET

5500 North State Road 7
Coconut Creek, Florida 33703

revision:
05-24-11 CITY REVIEW COMMENTS RDP#2
06-04-11 CITY REVIEW COMMENTS RDP#2

commission: 11-016
principal: ERIC ANDERSON
project manager: CH

file name: 11-016
date: 04-11-11
title:

EXTERIOR ELEVATIONS



of 5 A