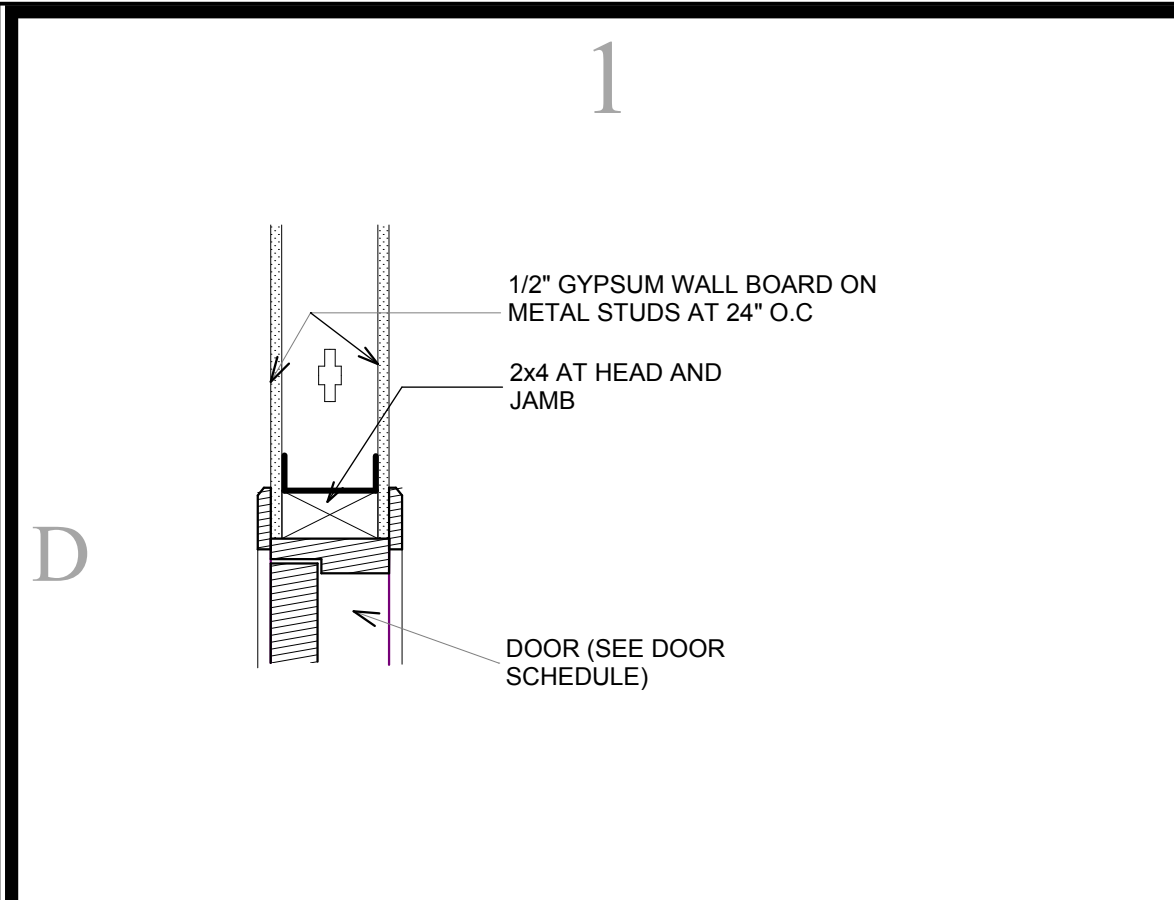
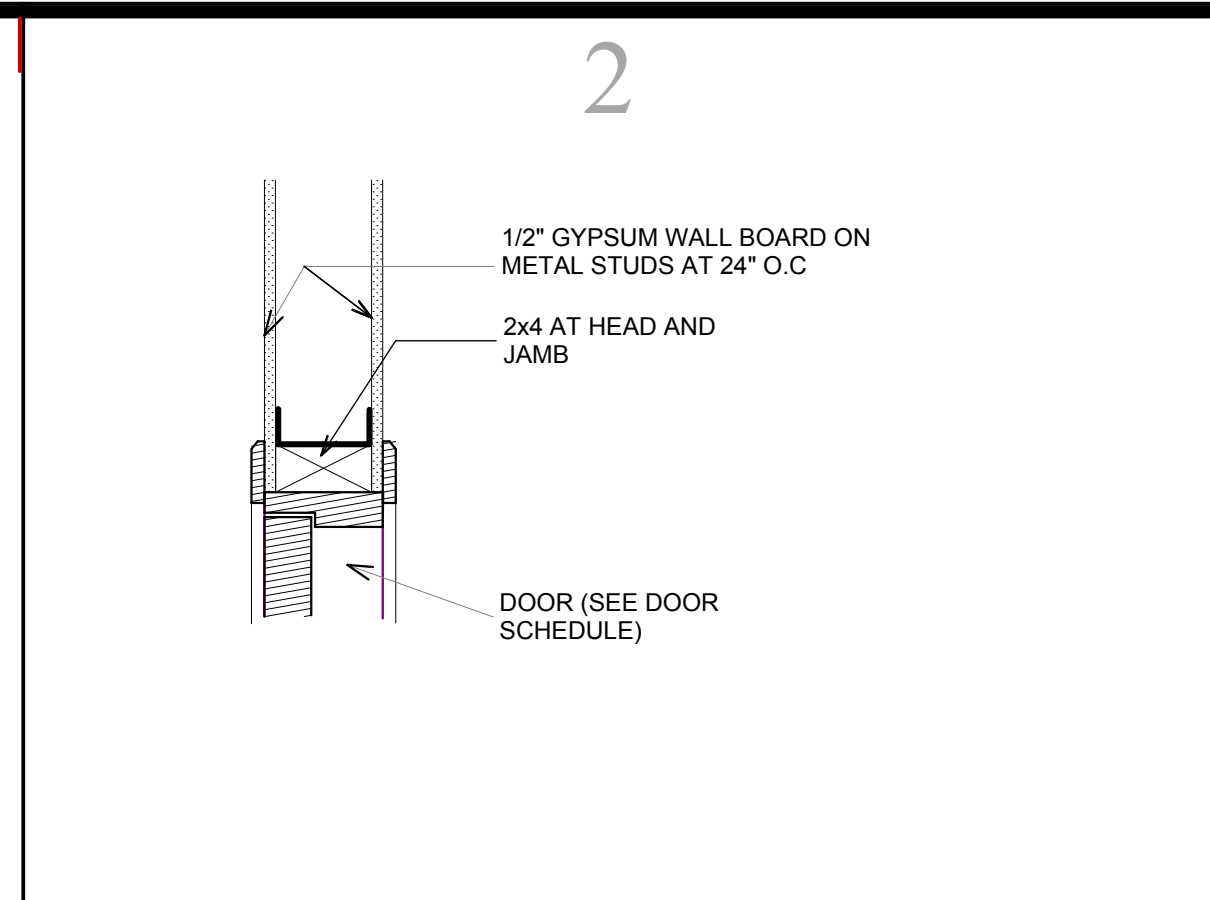


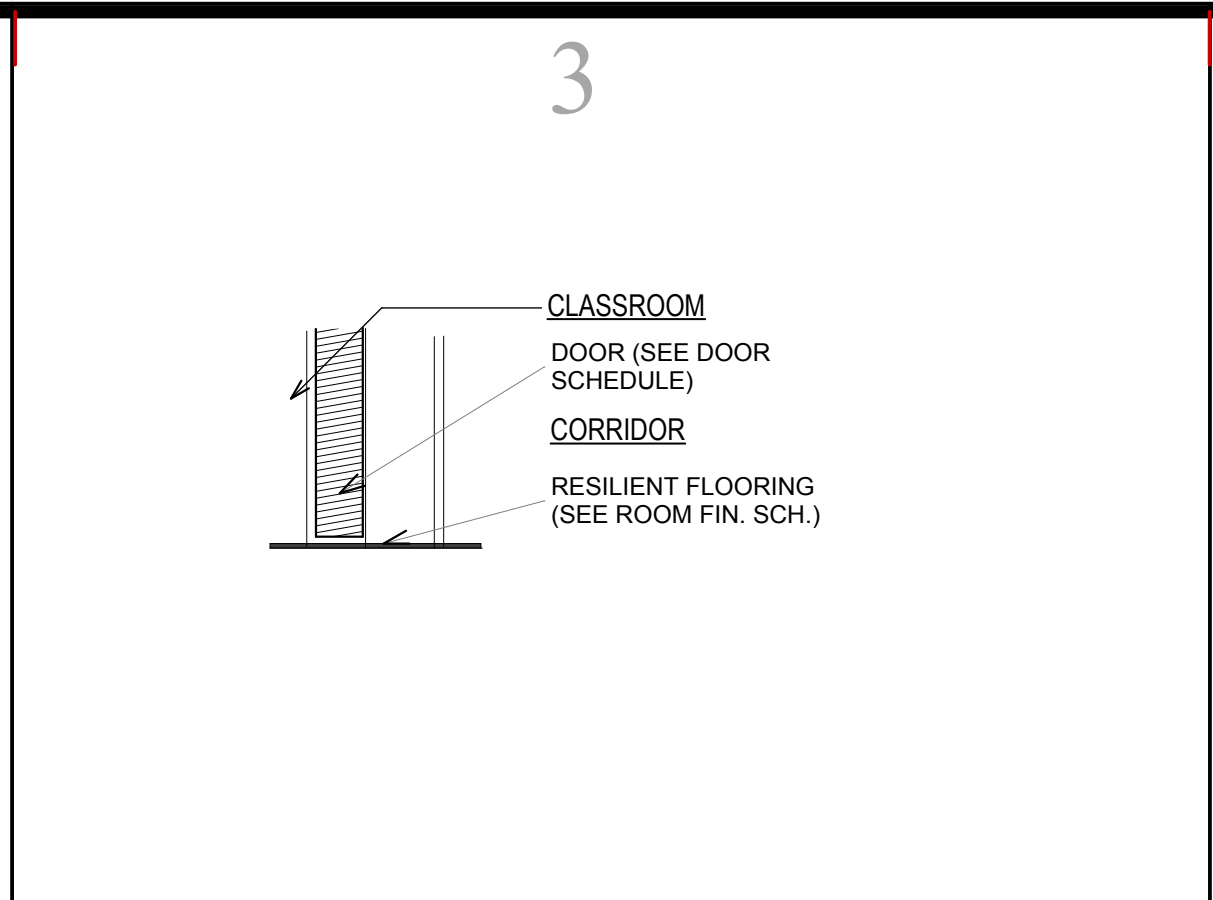
C:\Users\Bob\Archicad 12 Projects\09-303 Providence Children's Academy\09-303 Providence Children's Academy\1-ADA ALT.pln



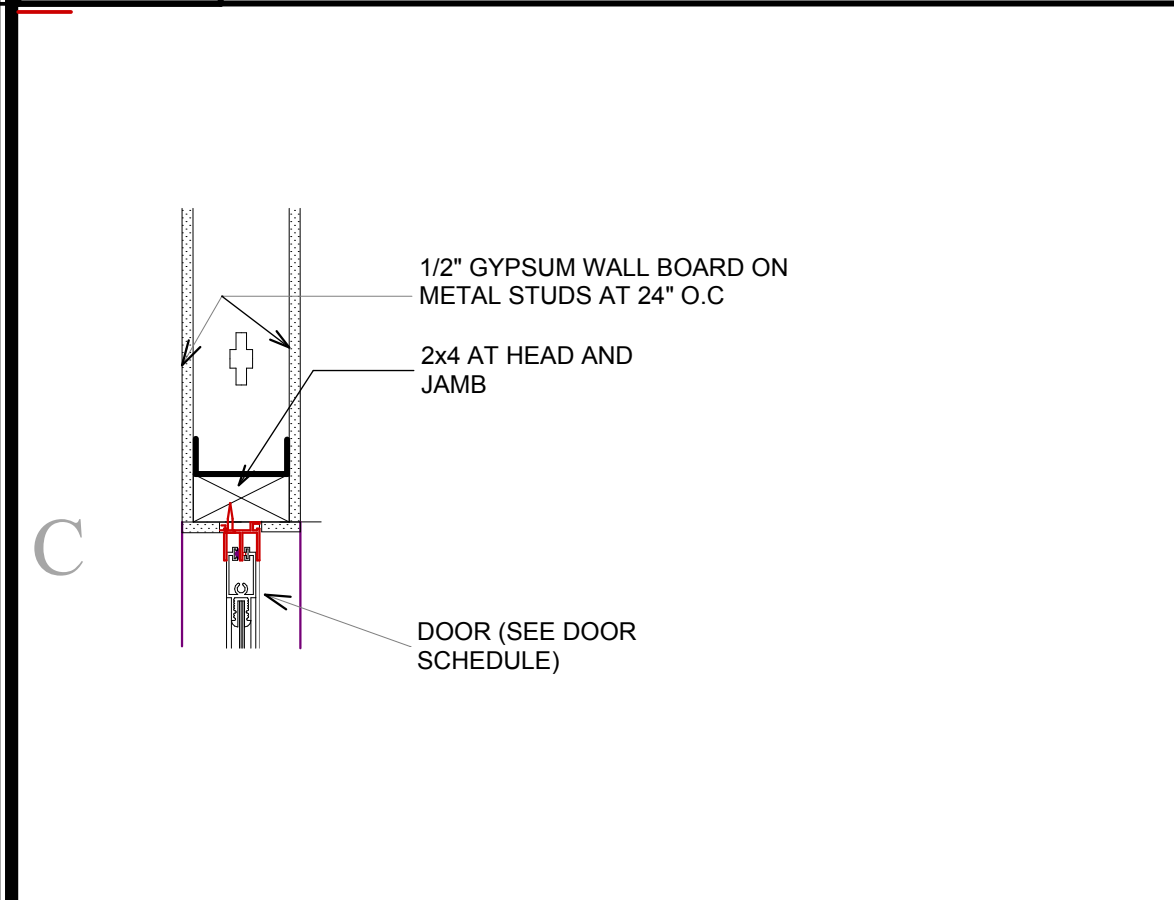
1D INTERIOR DOOR HEAD 'H3'
SCALE: 1-1/2"=1'-0"



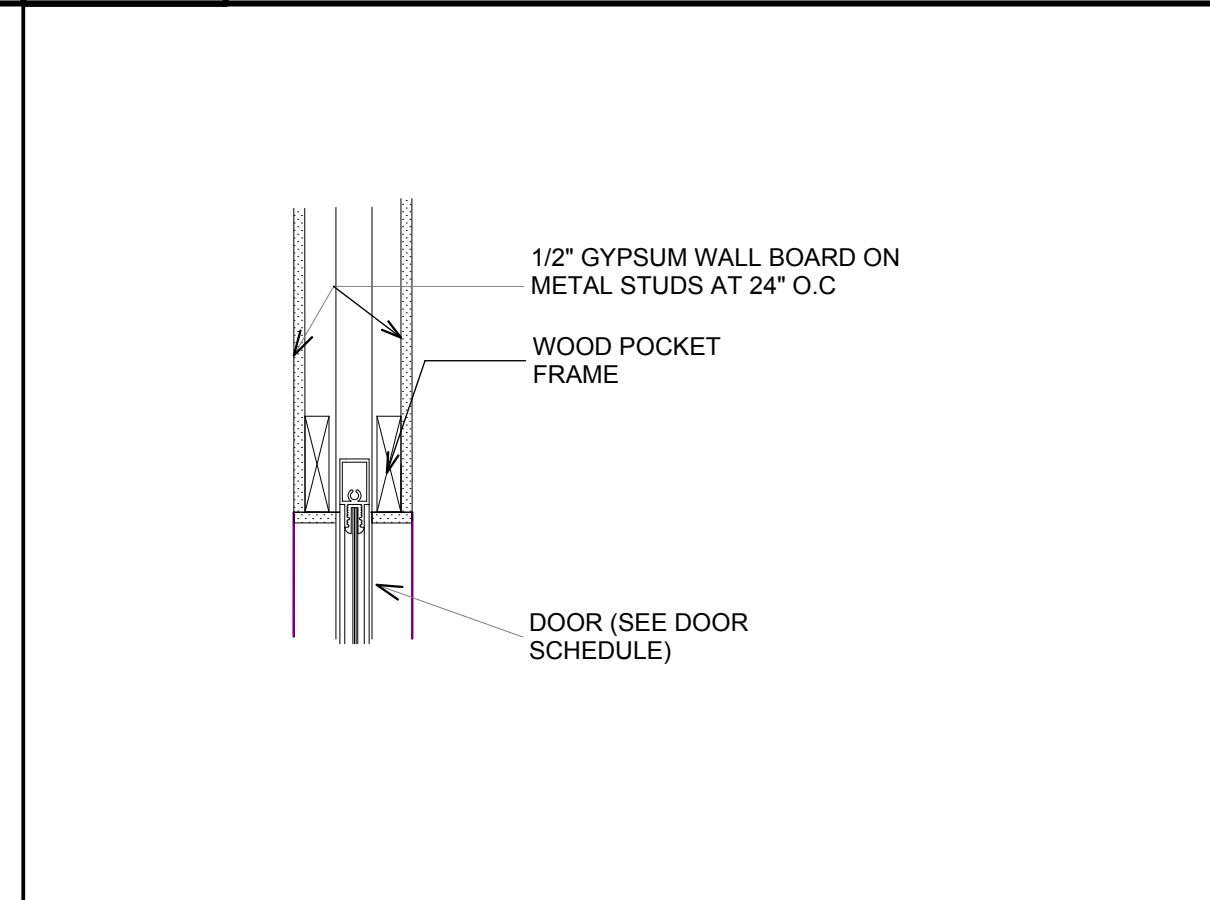
2D INTERIOR DOOR JAMB 'J3'
SCALE: 1-1/2"=1'-0"



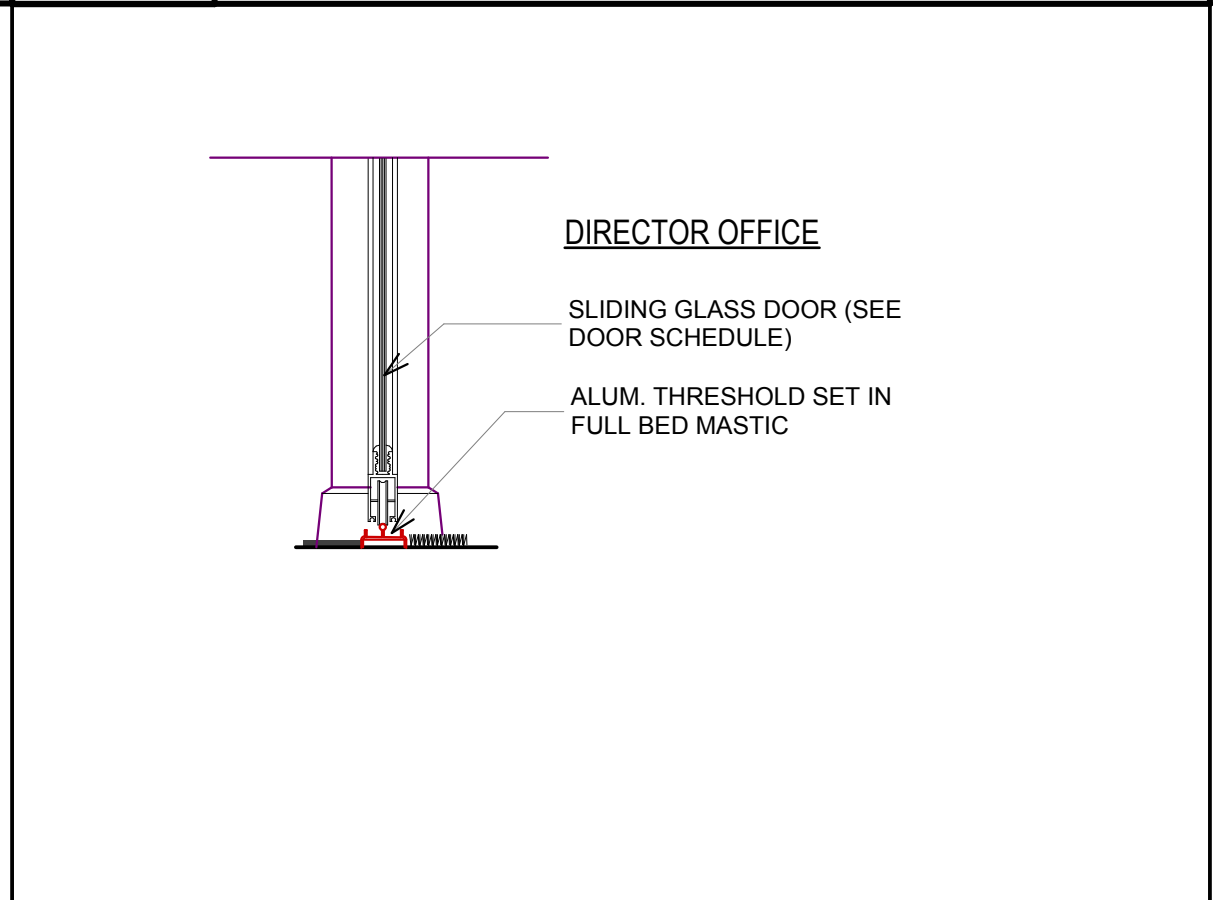
3D INTERIOR DOOR SILL 'S3'
SCALE: 1-1/2"=1'-0"



1C SLID. GLASS DR. HEAD 'H2'
SCALE: 1-1/2"=1'-0"



2C SLID. GLASS DR. JAMB 'J2'
SCALE: 1-1/2"=1'-0"

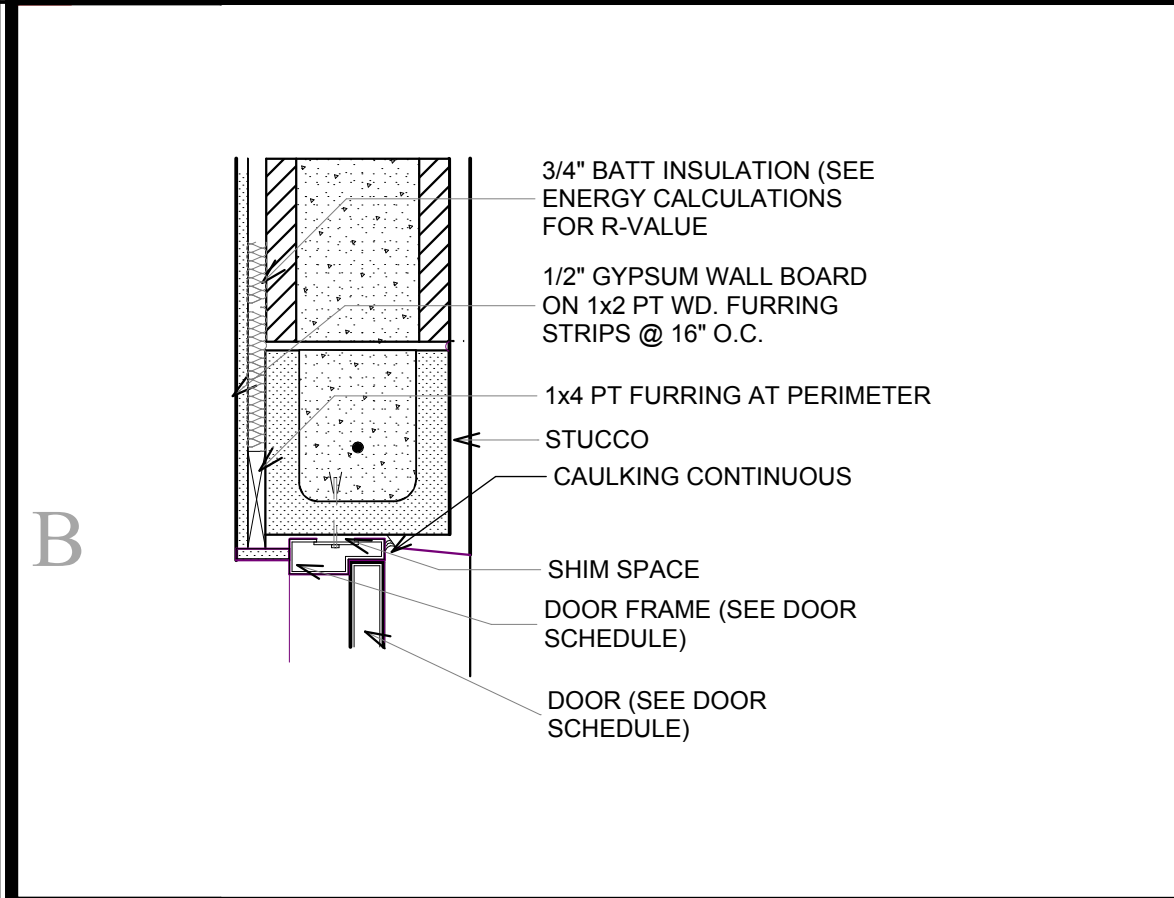


3C SLID. GLASS DR. SILL 'S2'
SCALE: 1-1/2"=1'-0"

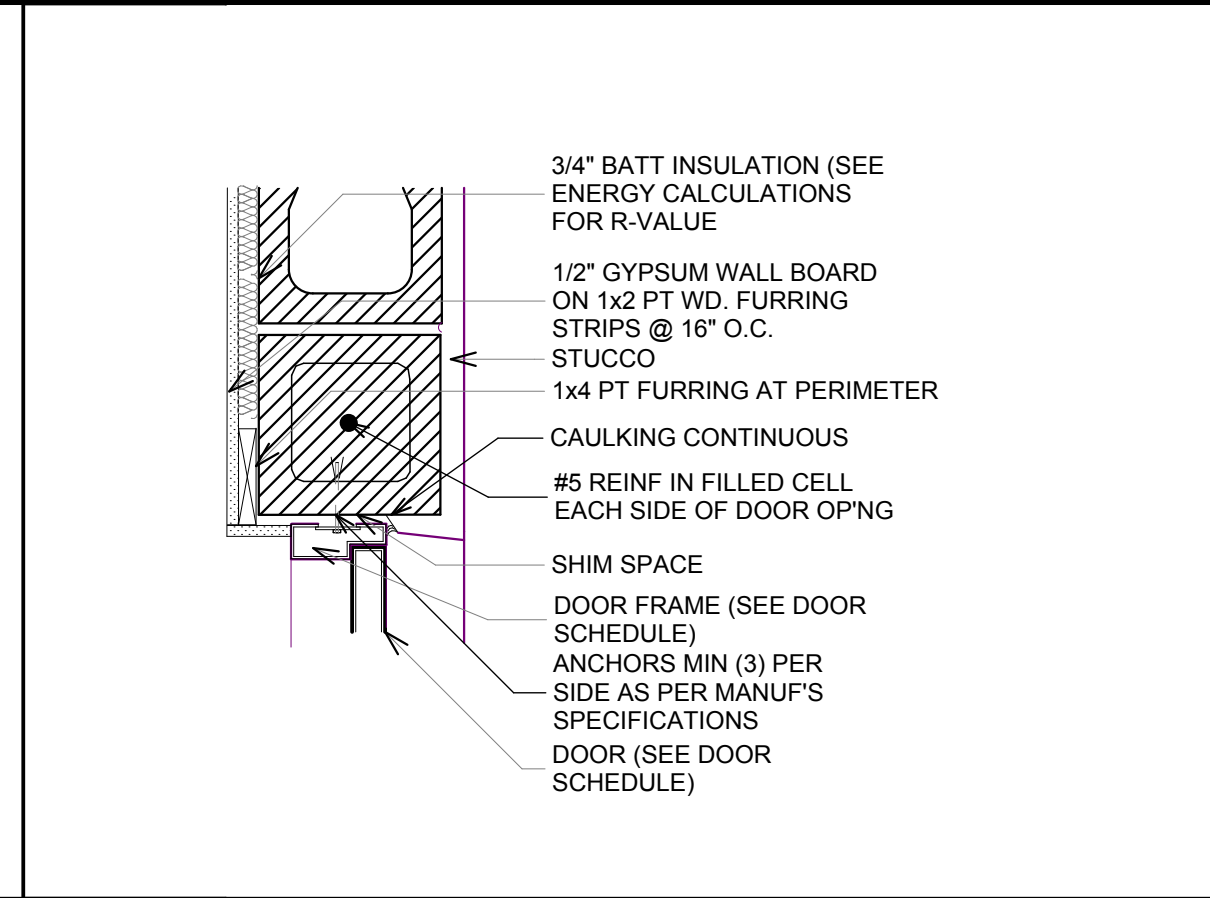
DOOR SCHEDULE													
MARK	01	02	03	04	05	06	07	08	09	10	11	12	
SIZE	W	3'-0"	3'-0"	3'-0"	3'-0"	2'-0"	3'-0"	3'-0"	3'-0"	3'-2"	2'-0"	2'-4"	
	HT	8'-0"	8'-0"	8'-0"	7'-0"	6'-8"	6'-8"	7'-0"	8'-0"	7'-0"	6'-8"	6'-8"	
	THK	0'-1 1/2"	0'-1 1/2"	0'-1 1/2"	0'-1 1/2"	0'-1 1/2"	0'-1 1/4"	0'-1 1/2"	0'-1 1/2"	0'-1 1/2"	0'-1 1/2"	0'-1 1/2"	
W/D opening nominal surface	24.00	24.00	24.00	21.00	13.33	20.00	21.00	21.00	24.00	22.17	13.33	15.56	
MATL	ALUM/GL	S.C.WD.	S.C.WD.	---	S.C.WD.	WD.LOUV	MET'L	MET'L	WD/GL	---	WD.LOUV	WD.LOUV	
GLZ	TEMP	TEMP	N/A	---	N/A	N/A	N/A	N/A	TEMP	---	N/A	N/A	
DETAIL	HEAD	H-2	H-3	H-3	---	H-3	*	*	H-1	H-3	---	H-2	H-3
	JAMB	J-2	J-3	J-3	---	J-3	*	*	J-1	J-3	---	J-2	S-3
	SILL	S-2	S-3	S-3	---	S-3	*	*	S-1	S-3	---	S-2	J3
FIRE RATING	N.R.	N.R.	N.R.	---	N.R.	N.R.	1-HR	1-HR	N.R.	---	N.R.	N.R.	
Preview Picture													
NOTES	PKT.DR.	6"x4" ...	180 HIN..	---	SWING	BI-FOLD	EXIST	NEW	1/2 V.P	---	BIPASS	SWING	

NOTE: DOOR DESIGNATIONS (06) TO BE EQUIP WITH SELF-CLOSING DEVICE.
SEE NOTE ON DOOR ASSEMBLY SHEET A-1 FOR STOREFRONT BETWEEN LOBBY AND CORRIDOR.
DOOR #8 TO BE EQUIP WITH PANIC HARDWARE TO MATCH EXISTING.

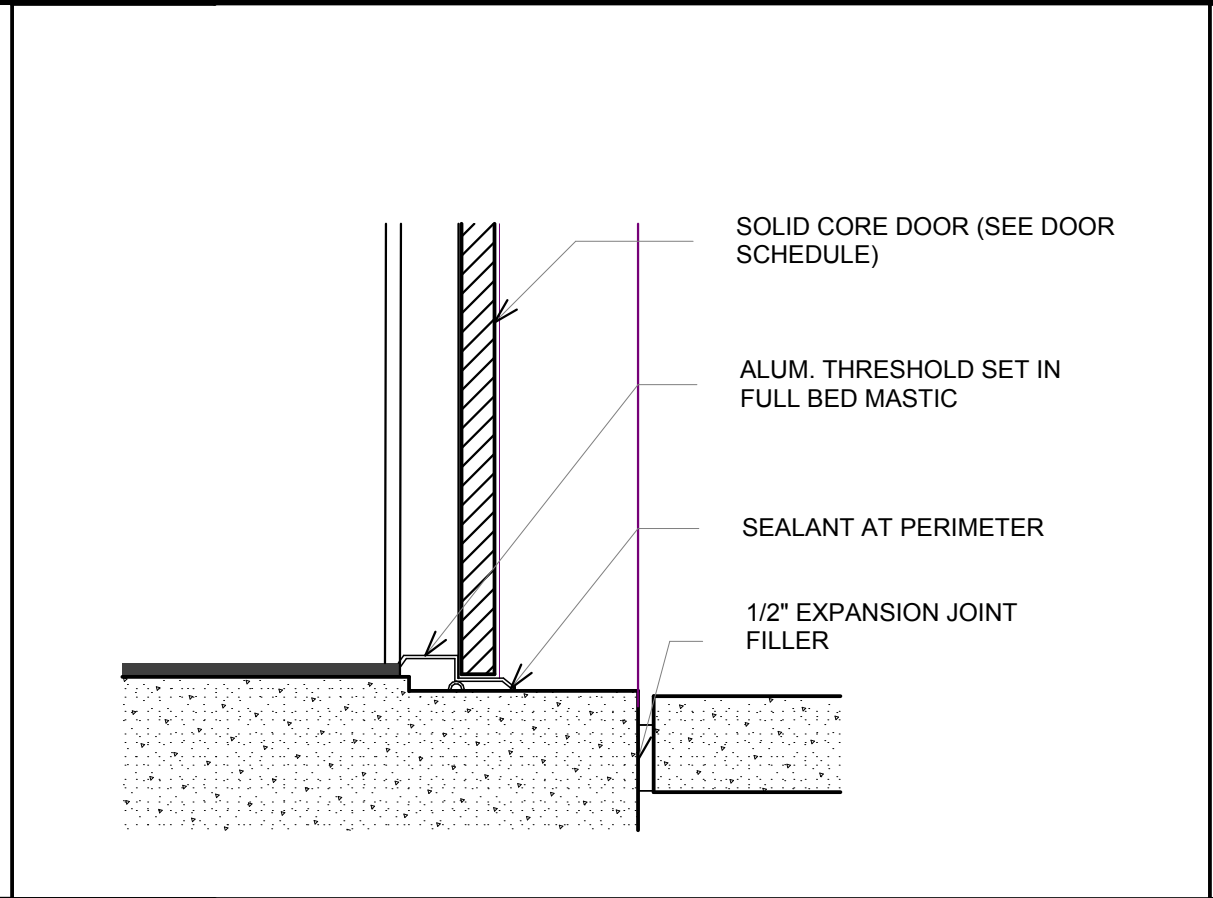
WINDOW SCHEDULE		
MARK	A	
SIZE	WIDTH	4'-0"
	HEIGHT	3'-0"
W/D opening nominal surface	12.00	
Type	Window	
FINISH	09 W Walnut V	
Preview Picture		
NOTES	TEMP GL	



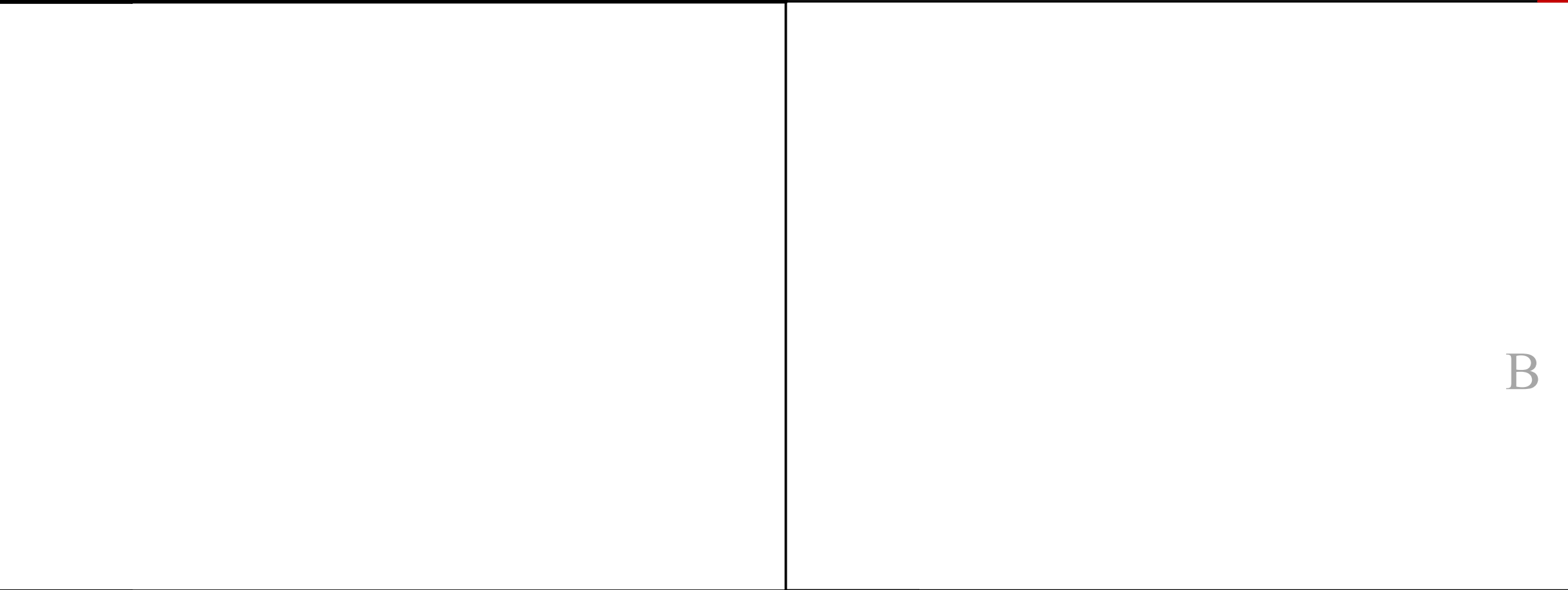
1B EXT. DOOR HEAD 'H1'
SCALE: 1-1/2"=1'-0"



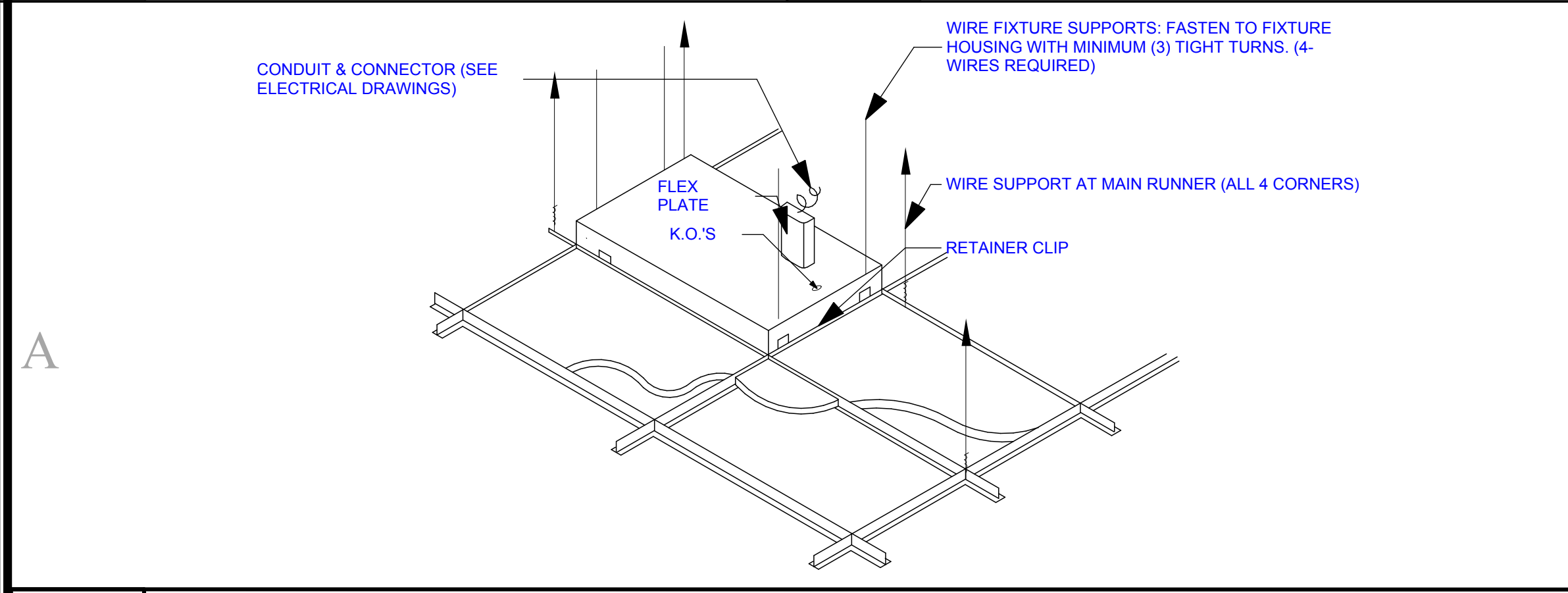
2B EXT. DOOR JAMB 'J1'
SCALE: 1-1/2"=1'-0"



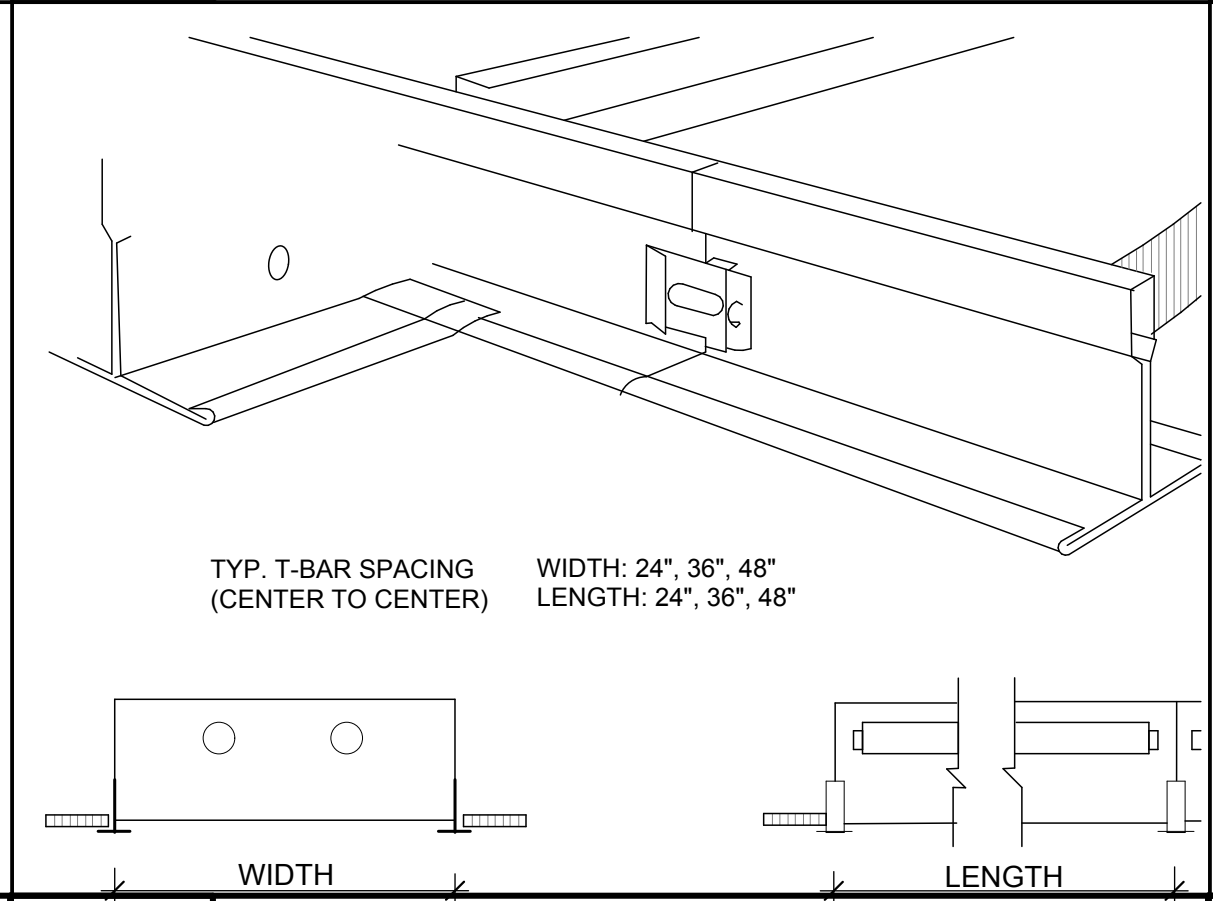
3B EXT. DOOR SILL 'S1'
SCALE: 1-1/2"=1'-0"



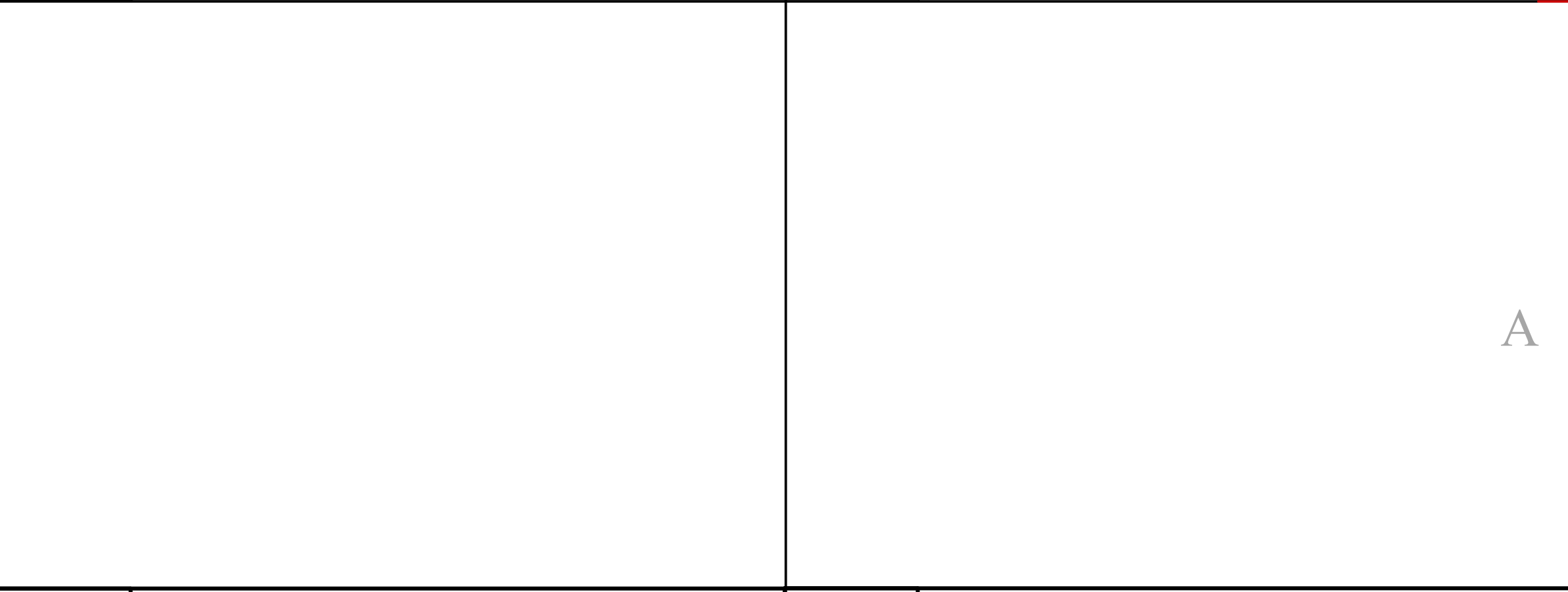
4B



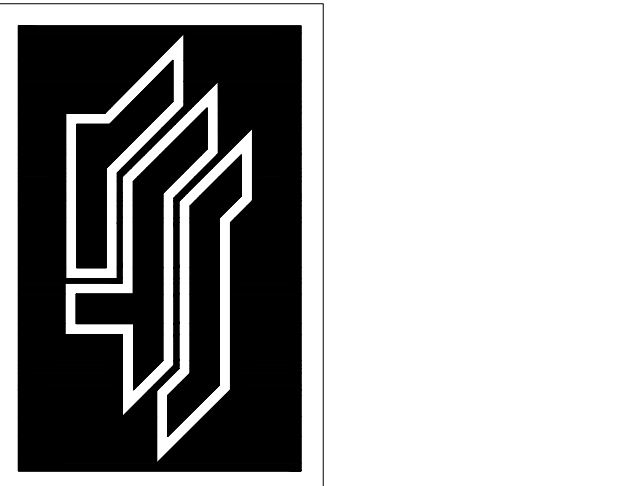
1A LIGHT FIXTURE ISOMETRIC
NOT TO SCALE



3A LIGHT FIXTURE @ T-BAR
NOT TO SCALE

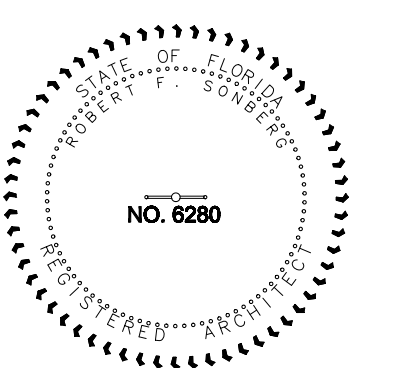


4A



ROBERT F. SONBERG ARCHITECT
113 BENT TREE DRIVE
PALM BEACH GARDENS, FL 33418
PHONE: (561)691-9277
CELL: (561)460-5635

COPYRIGHT
MATERIAL SHOWN HEREIN IS THE
COPYRIGHTED PROPERTY OF ROBERT F.
SONBERG ARCHITECT AND AS SUCH SHALL
NOT BE REPRODUCED IN WHOLE OR IN PART
WITHOUT THE WRITTEN PERMISSION OF
SAID ARCHITECT.



PROVIDENCE CHILDREN'S ACADEMY

6111 LYONS ROAD
STE.
105, 106 & 107
COCONUT CREEK,
FLORIDA 33073

TOM & DONNA MORGAN

REVISIONS

MARK	DATE	DESCRIPTION

PROJECT NO: 09-303
ISSUED DATE: 10/21/09
DRAWN BY: RFS
CHK'D BY: RFS

SHEET TITLE

SCHEDULES AND DETAILS

A-7

SHEET 8 OF 14