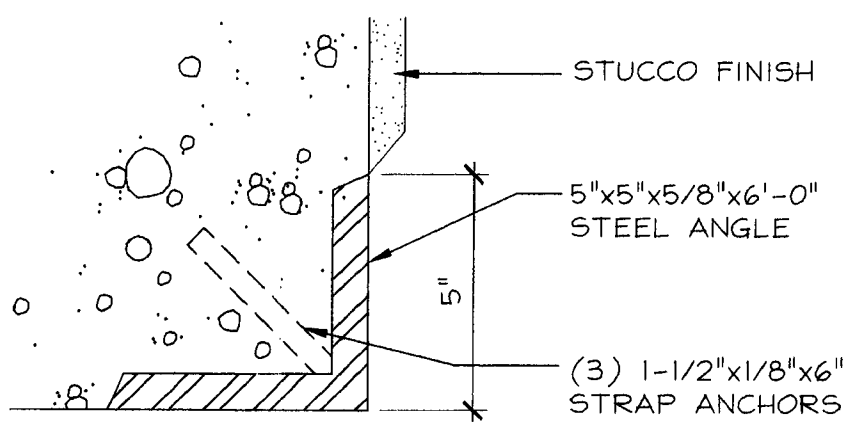
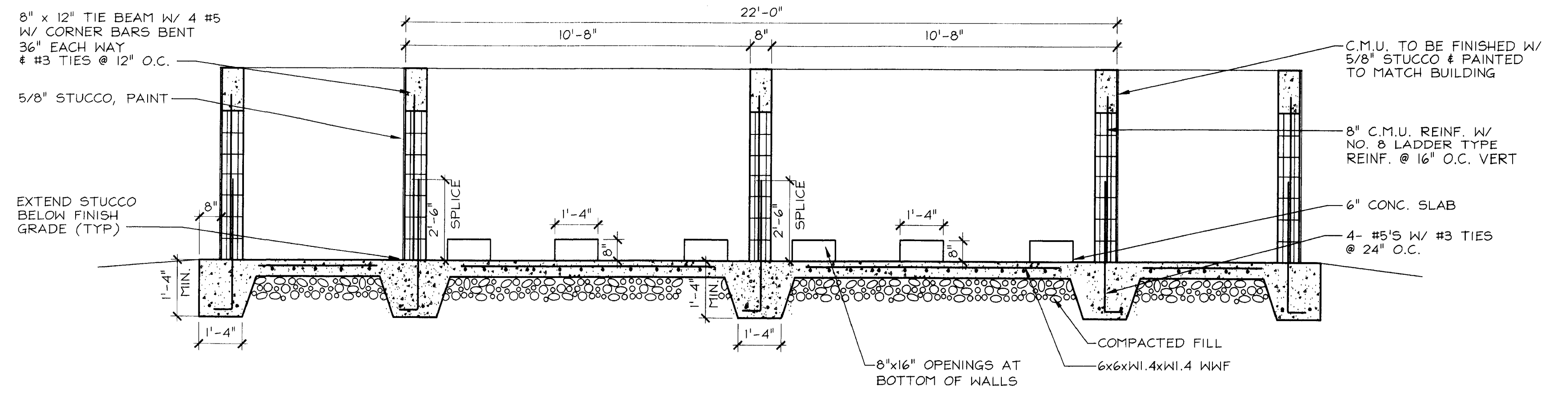


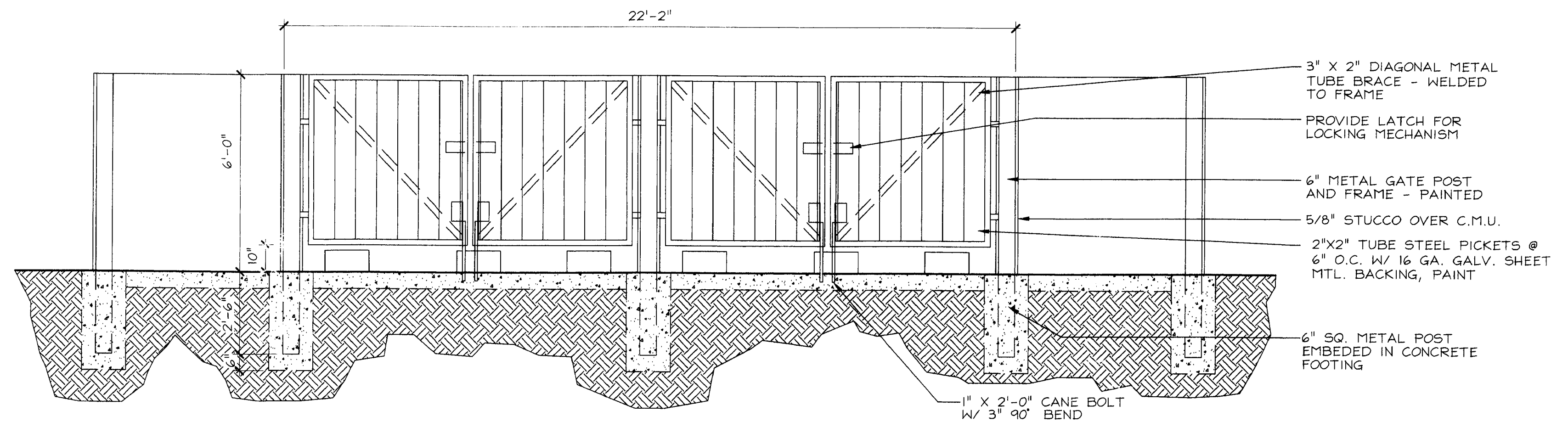
**5 CORNER GUARD DETAIL**  
SCALE: 1 1/2" = 1'-0"



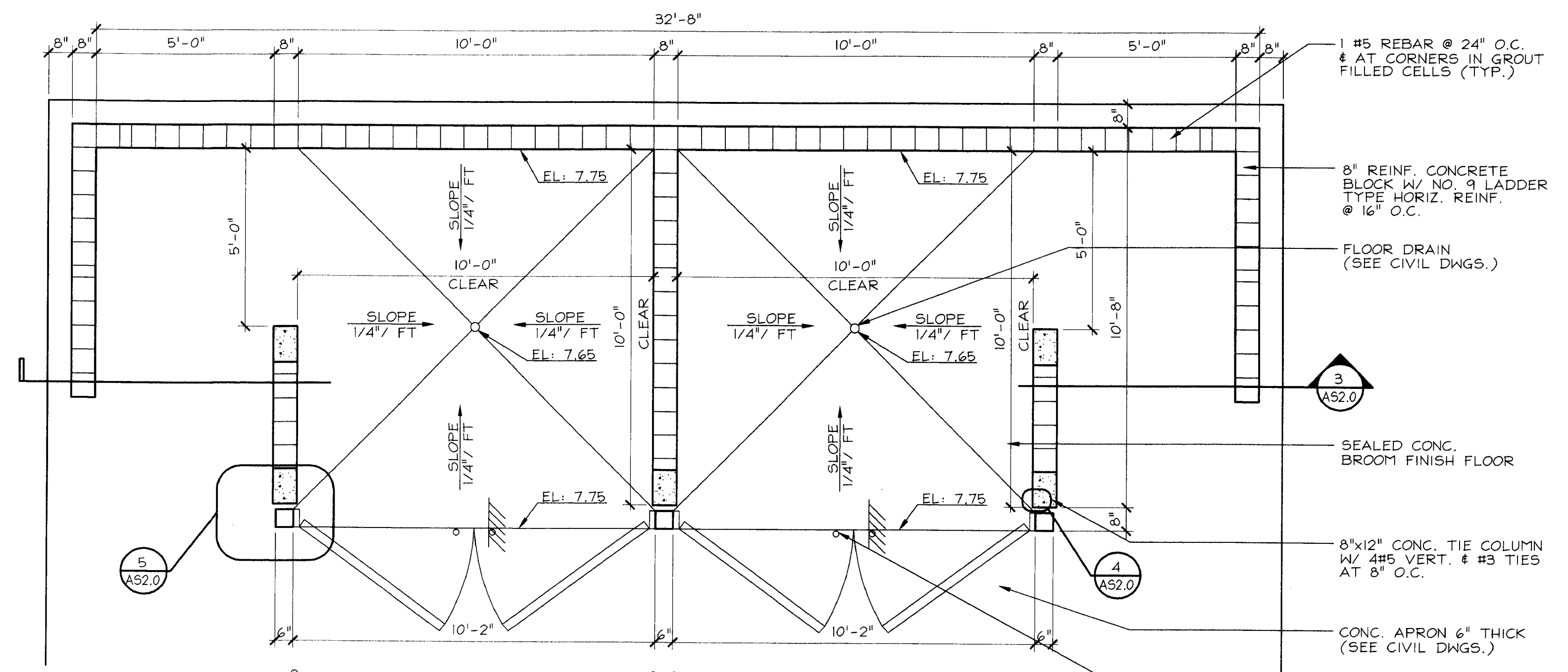
**4 CORNER GUARD DETAIL**  
SCALE: 1 1/2" = 1'-0"



**3 DUMPSTER ENCLOSURE SECTION**  
SCALE: 3/8" = 1'-0"



**2 DUMPSTER ENCLOSURE ELEVATION**  
SCALE: 3/8" = 1'-0"



**1 DUMPSTER ENCLOSURE PLAN**  
SCALE: 3/8" = 1'-0"



**Architects  
Engineers  
Planners**  
901 Ponce de Leon Blvd., Suite 901  
Coral Gables, Florida 33134  
Voice: 305.445.2900 Fax: 305.445.3366  
AAC002142 EB0005022

New Construction of:  
**Lyons - Sawgrass Shopping Center**  
FOR: LYONS TRADE CENTER, LLC  
Coconut Creek, Florida

JOB NUMBER  
**00343-001**  
FILE No. : 00424-001AS2.0  
DRAWN : MM/KC  
REVIEWED : DGH/JFS  
CHECKED : JFS



Javier F. Saliman, AIA  
Reg. No.: AR0014410  
These drawings and the designs here  
illustrated are the sole property of  
Cesar Guallo Castillo Thompson Saliman, P.A.  
and may not be reproduced in whole  
or in part without express permission.

DATE : 02/25/05  
ISSUE

REVISIONS

SHEET TITLE

SITE DETAILS  
SHEET NUMBER  
**AS2.0**