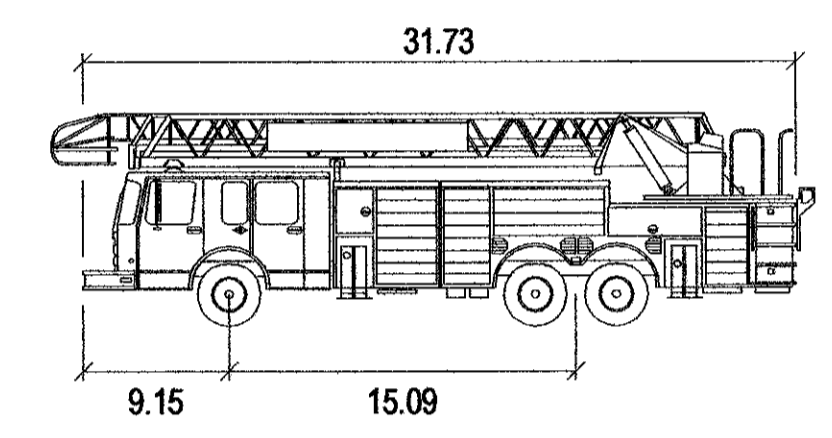
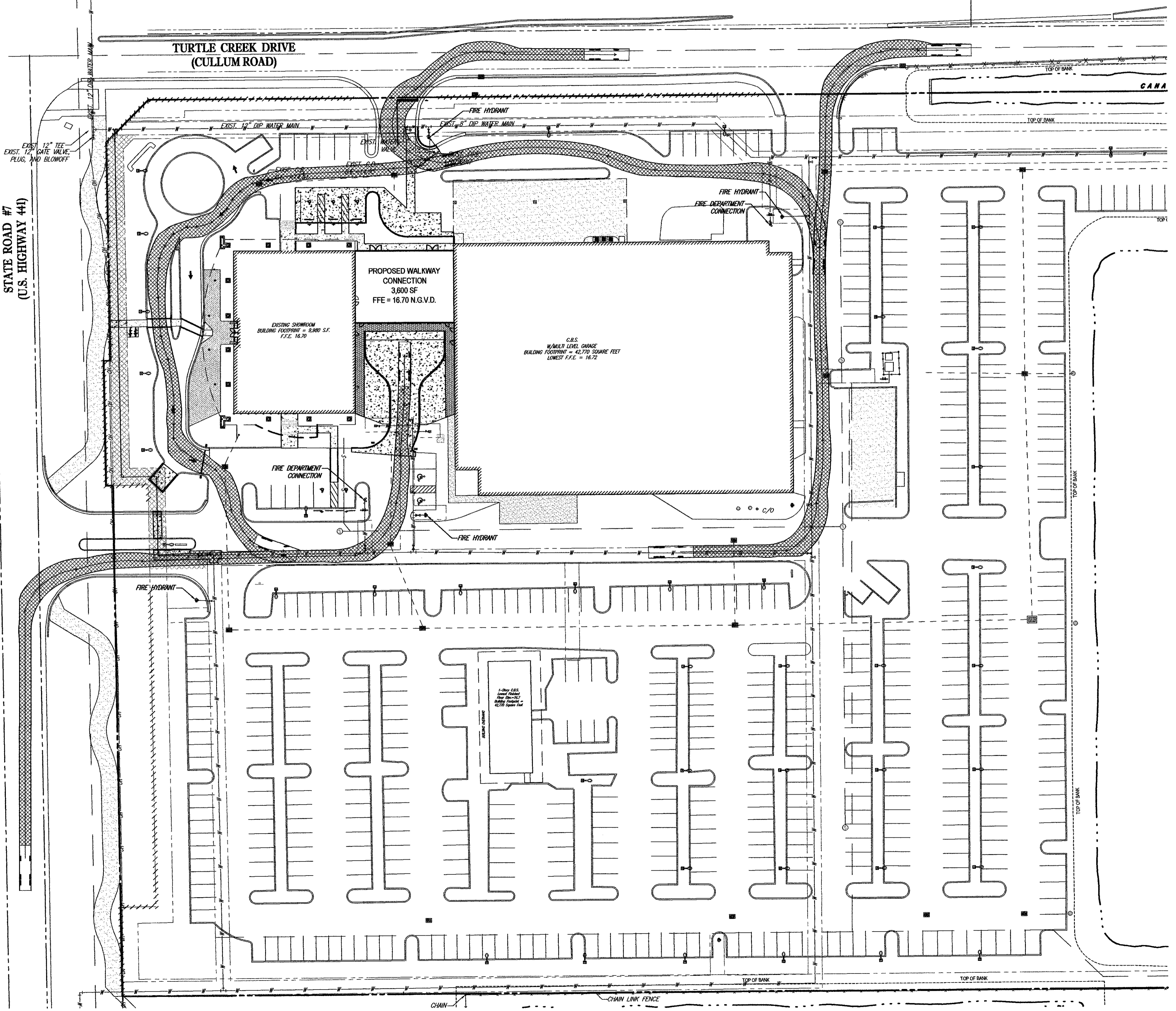
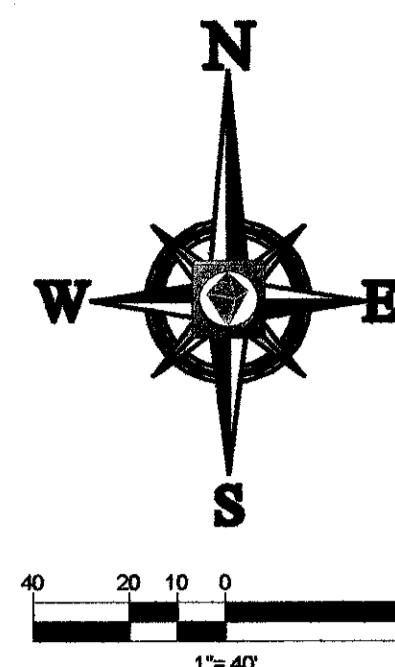


Printed on Wednesday, August 10, 2011, 10:11 AM by Noel Barnett
 C:\Users\NOEL\Documents\COCONUT CREEK ADDITION - 14-F100106 - THE TRUCK ROUTE - 14-F100106 - NOEL.BARNETT

BLOCK 89

TRACT 22



INCEND-G feet

Width	: 8.14
Track	: 7.61
Lock to Lock Time	: 6.0
Steering Angle	: 41.3

BOHLER ENGINEERING

CIVIL & CONSULTING ENGINEERS
 SURVEYORS
 PROJECT MANAGERS
 ENVIRONMENTAL CONSULTANTS
 LANDSCAPE ARCHITECTS

CORPORATE OFFICE
 WARREN, NJ

OFFICES
 BOWNE, MD
 CHARLOTTE, NC
 FORT LAUDERDALE, FL
 HARTFORD, CT
 HOUSTON, TX
 JEFFERSONVILLE, IN
 KANSAS CITY, MO
 LITTLE ROCK, AR
 MIAMI, FL
 NASHVILLE, TN
 NEW YORK, NY
 OKLAHOMA CITY, OK
 TAMPA, FL

REVISIONS:

REV.	DATE	COMMENT	BY
1	05-24-2011	FIRST SITE PLAN SUBMITTAL	NAB
2	06-25-2011	SECOND SITE PLAN SUBMITTAL	NAB
3	08-11-2011	THIRD SITE PLAN SUBMITTAL	NAB

PROJECT No.: F100106
 DRAWN BY: LIT
 CHECKED BY: NAB
 DATE: 05-24-2011
 SCALE: AS NOTED
 CAD I.D.: 14-F100106- FIRE TRUCK ROUTE

PROJECT:
MERCEDES-BENZ OF COCONUT CREEK ADDITION
 FOR
HODGEN CONSTRUCTION

4250 NORTH STATE ROAD 7
 CITY OF COCONUT CREEK
 BROWARD COUNTY, FLORIDA

BOHLER ENGINEERING

RADICE II
 1000 CORPORATE DRIVE, SUITE 250
 FORT LAUDERDALE, FL 33334
 PH: (954) 202-7000
 FX: (954) 202-7070
 www.BohlerEngineering.com

NOEL A. BARNETT
 No. 7297
 PROFESSIONAL ENGINEER
 August 10, 2011
 FLORIDA LICENSE No. 07297
 FLORIDA BUSINESS FORFEITURE No. 27528

SHEET TITLE:
TRUCK MOVEMENT PLAN

SHEET NUMBER:
C-6