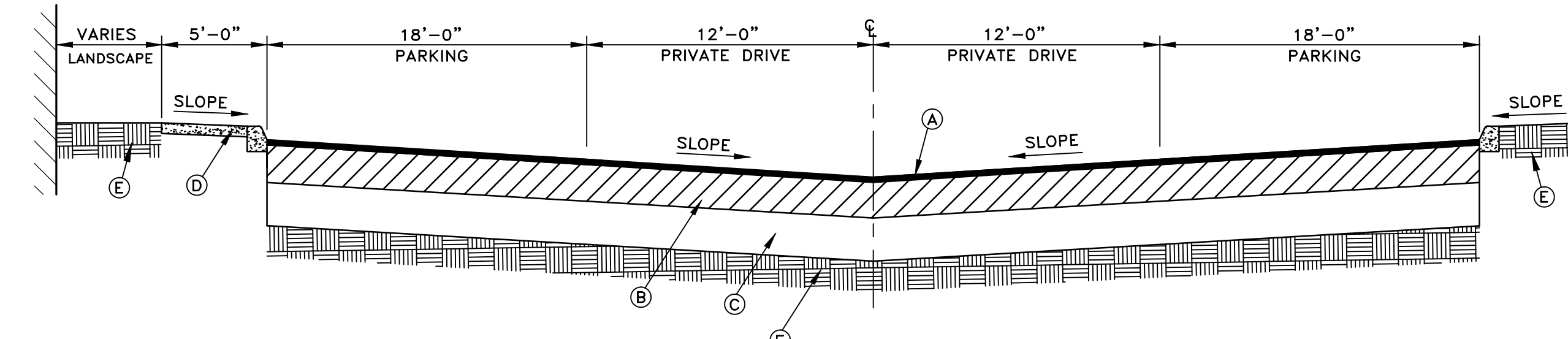


LEGEND

- EXISTING PAVEMENT
- NEW ASPHALTIC PAVEMENT
- NEW SPECIALTY PAVEMENT (COORD. W/ ARCH. DWG'S.)
- NEW CONCRETE PAVEMENT/ SIDEWALK
- EXIST. SPOT ELEVATION
- NEW SPOT ELEVATION
- NEW CATCH BASIN
- NEW MANHOLE
- NEW FRENCH DRAIN
- NEW STORM DRAIN PIPE
- NEW STRUCTURE I.D.



- (A) ASPHALTIC CONCRETE SURFACE COURSE 2" THICK (TYPE S-3)
- (B) 8" BASE COURSE (LBR 100 W/ 70% CARBONATES) COMPACTED TO 98% DENSITY (AASHTO T-180), PRIMED ENTIRE WIDTH
- (C) 12" STABILIZED SUBGRADE (LBR 40) COMPACTED TO 98% DENSITY (AASHTO T-180)
- (D) CONCRETE SIDEWALK (5' WIDE)
- (E) SOD/LANDSCAPE
- (F) COMPACTED SUBGRADE

SECTION A-A
N.T.S.

DRAINAGE STRUCTURE TABLE

ID	TYPE	RIM/GRATE	PIPE INVERT	STRUCTURE INVERT
A	CATCH BASIN	14.50	11.00	8.50
B	CATCH BASIN	14.50	11.00	8.50
C	CATCH BASIN	14.50	11.00	8.50
D	CATCH BASIN	15.00	11.00	8.50
E	CATCH BASIN	14.50	11.00	8.50
F	CATCH BASIN	14.50	11.00	8.50
G	CATCH BASIN	14.50	11.00	8.50
H	CATCH BASIN	14.50	11.00	8.50
J	CATCH BASIN	14.50	11.00	8.50
K	CATCH BASIN	14.50	11.00	8.50
L	CATCH BASIN	14.50	11.00	8.50
M	CATCH BASIN	14.50	11.00	8.50
N	CATCH BASIN	14.50	11.00	8.50
P	CATCH BASIN	14.50	11.00	8.50
Q	CATCH BASIN	14.50	11.00	8.50
R	CATCH BASIN	14.50	11.00	8.50
S	CATCH BASIN	14.50	11.00	8.50
T	CATCH BASIN	14.50	11.00	8.50
U	CATCH BASIN	14.50	11.00	8.50
V	CATCH BASIN	14.50	11.00	8.50
W	CATCH BASIN	14.50	11.00	8.50
X	CATCH BASIN	14.50	11.00	8.50
Y	CATCH BASIN	14.50	11.00	8.50
Z	CATCH BASIN	14.50	11.00	8.50

DRAINAGE STRUCTURE TABLE

ID	TYPE	RIM/GRATE	PIPE INVERT	STRUCTURE INVERT
AA	CATCH BASIN	14.50	11.00	8.50
BB	CATCH BASIN	14.50	11.00	8.50
CC	CATCH BASIN	14.50	11.00	8.50
DD	CATCH BASIN	14.50	11.00	8.50
EE	CATCH BASIN	14.50	11.00	8.50
FF	CATCH BASIN	14.50	11.00	8.50
GG	CATCH BASIN	14.50	11.00	8.50
HH	CATCH BASIN	14.50	11.00	8.50
JJ	CATCH BASIN	14.50	11.00	8.50
KK	CATCH BASIN	14.50	11.00	8.50
LL	CATCH BASIN	14.50	11.00	8.50
MM	CATCH BASIN	14.50	11.00	8.50
NN	CATCH BASIN	14.50	11.00	8.50
PP	CATCH BASIN	14.50	11.00	8.50
QQ	CATCH BASIN	14.50	11.00	8.50
RR	CATCH BASIN	14.50	11.00	8.50
SS	CATCH BASIN	14.50	11.00	8.50
TT	CATCH BASIN	15.00	8.50	6.00
UU	CATCH BASIN	15.50	8.50	6.00
VV	CATCH BASIN	15.00	8.50	6.00
XX	CATCH BASIN	14.95	8.50	6.00

*INSTALL WEIR (INVERTED POLLUTION RETARDANT BAFFLE) AT ELEV. 12.25

PAVING-GRADING-DRAINAGE PLAN
SCALE: 1" = 40'

SAMPLE ROAD IMPROVEMENTS TO COMPLY WITH FDOT STANDARDS

DATUM: N.G.V.D.

Always call 811 two full business days before you dig

CONSULTING ENGINEERING & SCIENCE, INC.
10700 N. KENDALL DRIVE, SUITE 400
MIAMI, FLORIDA 33178 (305) 378-5555
EB-0003255

FOR THE FIRM:
RICHARD B. BOCHNIOVICH
P.E. - 19833 (CIVIL)

CES PROJECT NO.: 13075

REVISIONS	BY
2-19-14	SITE PLAN RESUBMITTAL
4-3-14	SITE PLAN RESUBMITTAL
7-14-14	PMDD RESUBMITTAL
8-08-14	DRC RESUBMITTAL

MIDTOWN RESIDENCES AT COCONUT CREEK
FLORIDA CRYSTALS
LOCATED AT:
COCONUT CREEK, FLORIDA

MSA ARCHITECTS, INC.
MIAMI OFFICE
7895 SW 104th ST.
SUITE 100 BOKA, 33156
(305) 273-9911

ARCHITECTS & PLANNING

REGISTERED PROFESSIONAL ARCHITECTS AND PLANNERS IN THE STATE OF FLORIDA. ALL RIGHTS ARE RESERVED BY THE ARCHITECT.

DRAWN: [blank]
CHECKED: [blank]
DATE: 12/19/2013
SCALE: AS SHOWN
JOB NO.: [blank]
SHEET: [blank]