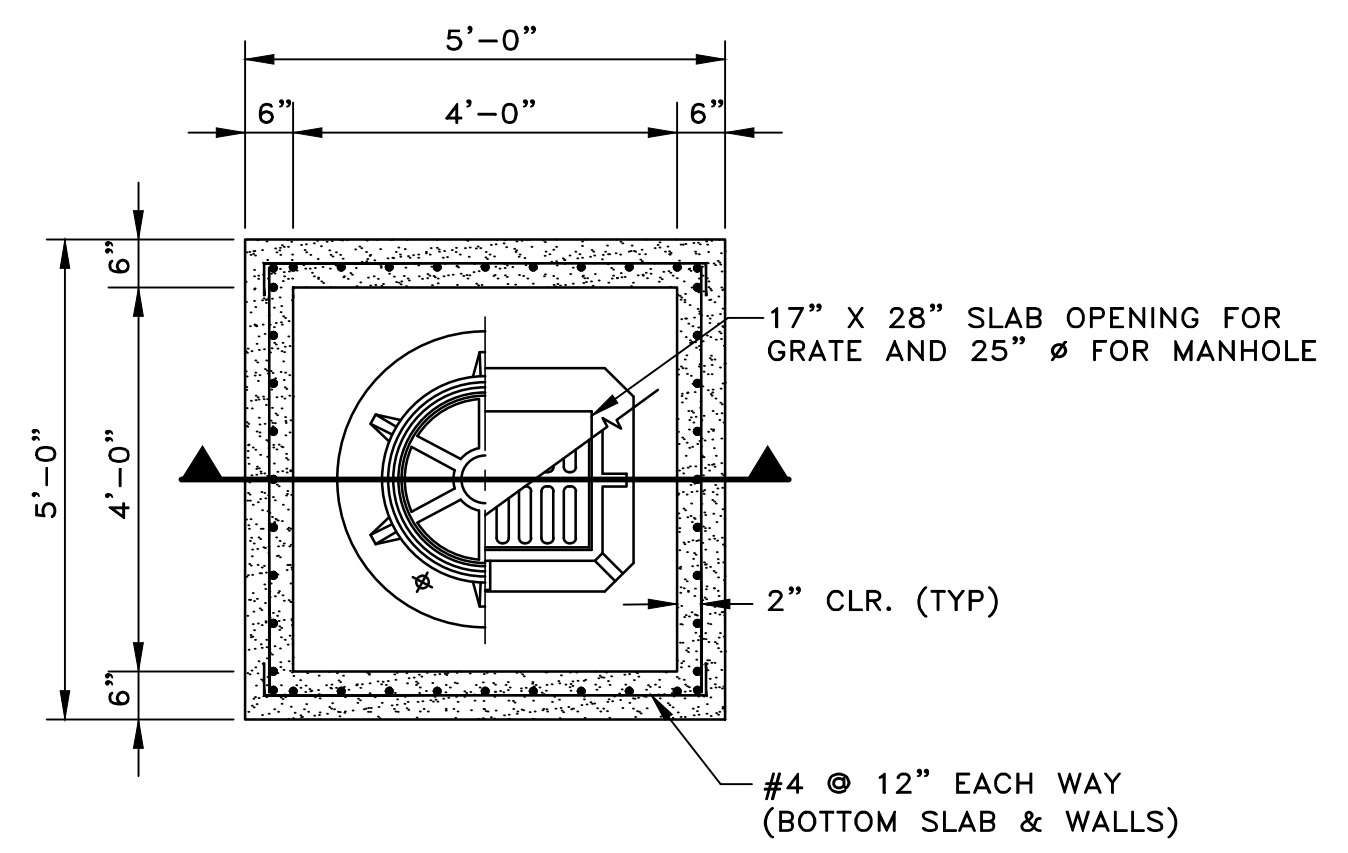
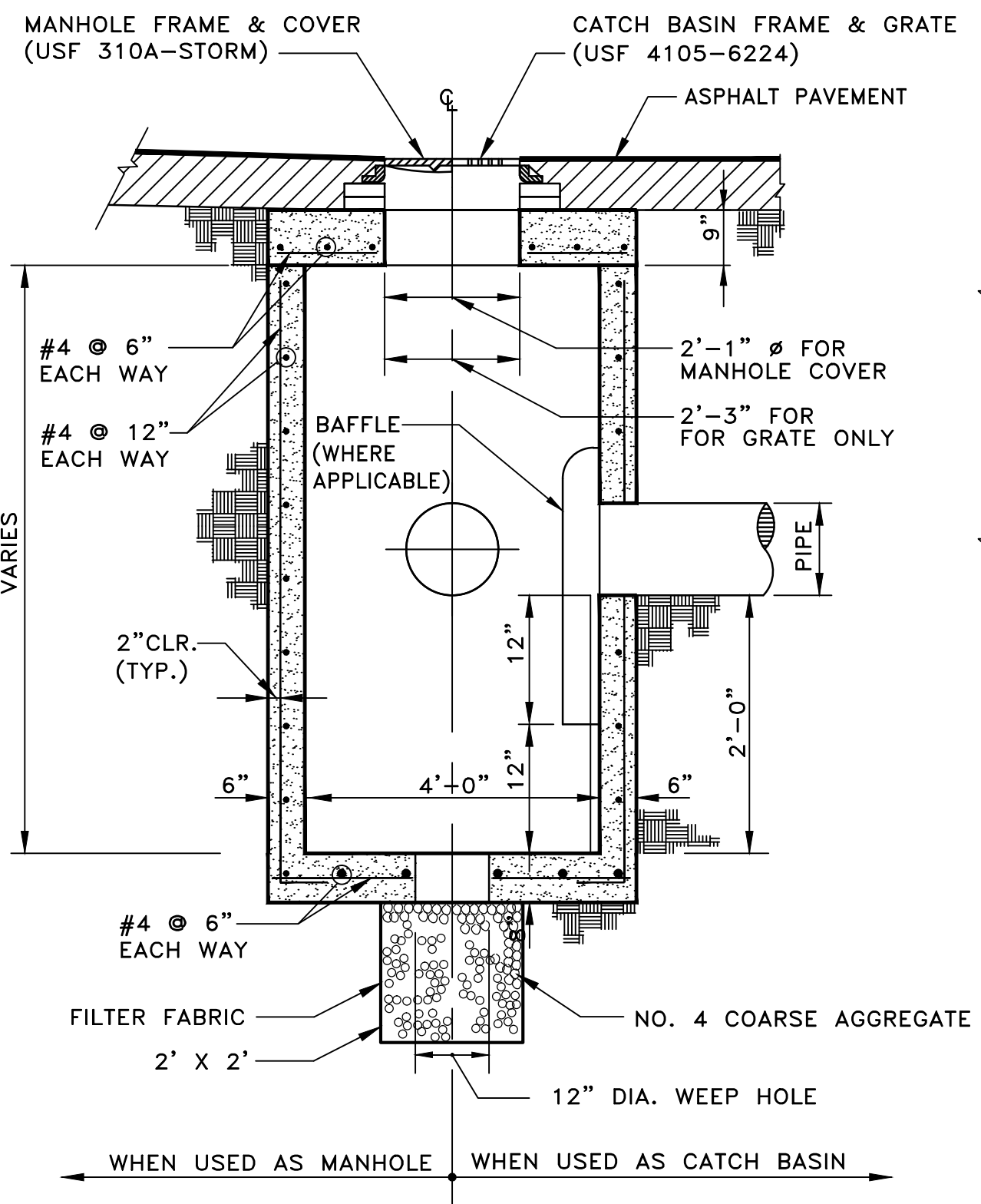


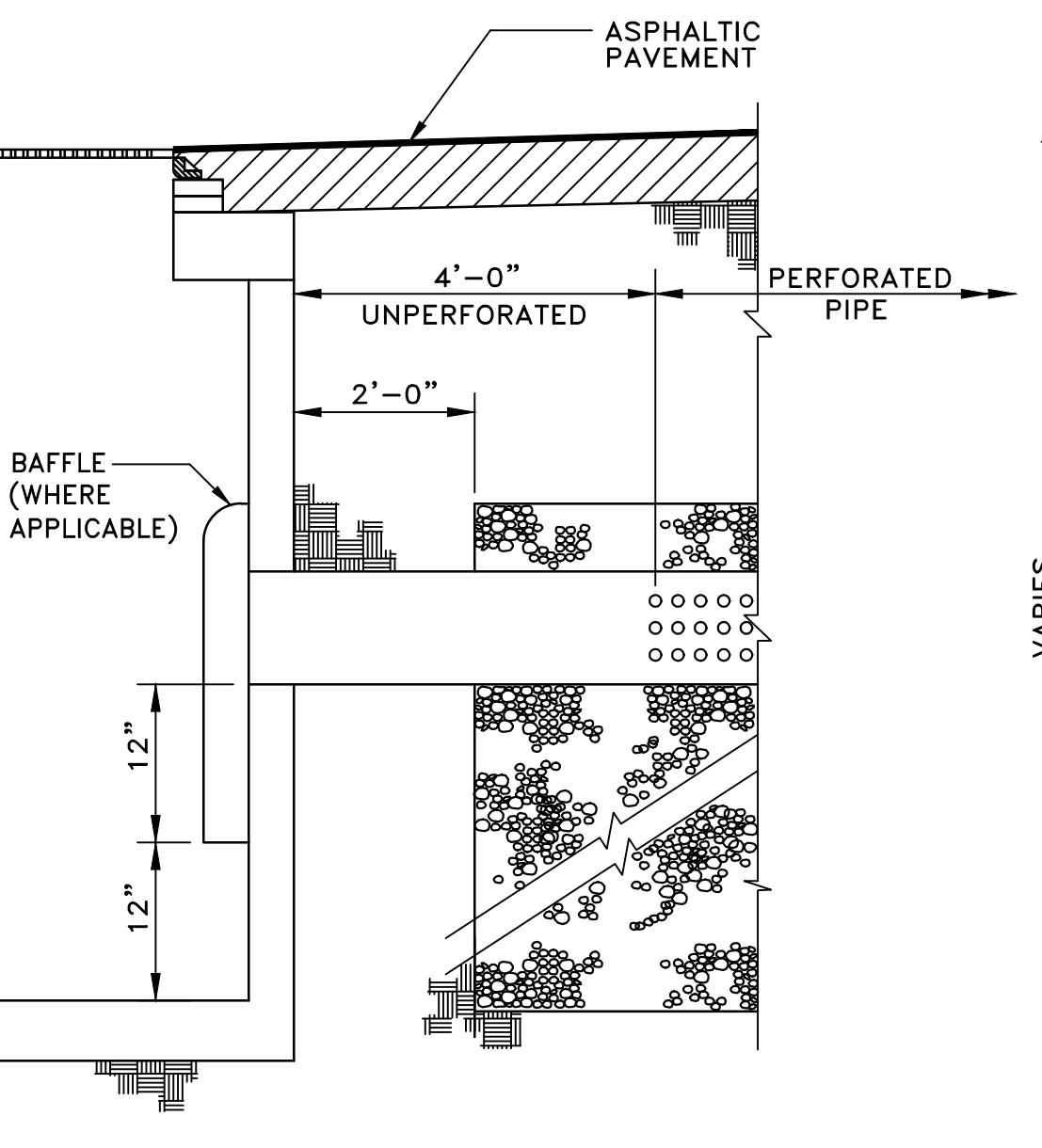
REVISIONS	BY
2-19-14	SITE PLAN RESUBMITTAL
4-3-14	SITE PLAN RESUBMITTAL



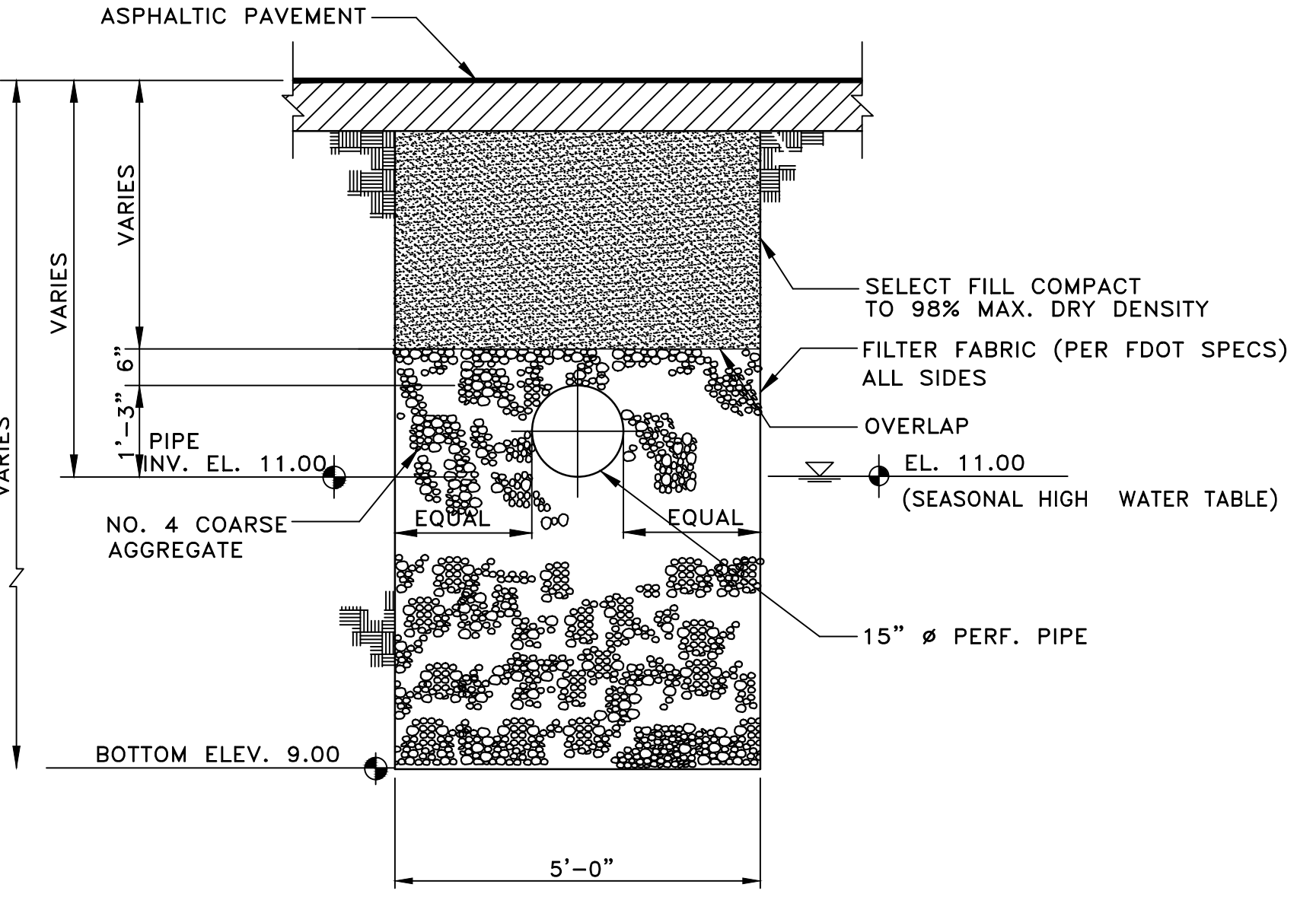
PLAN



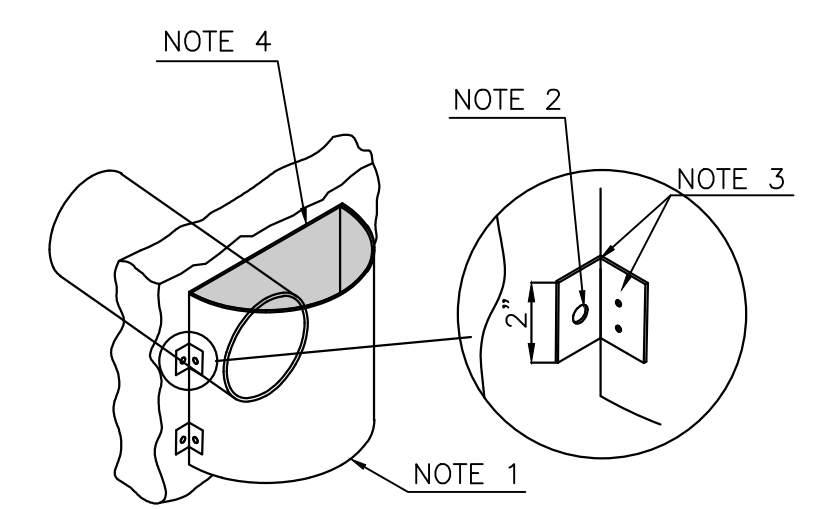
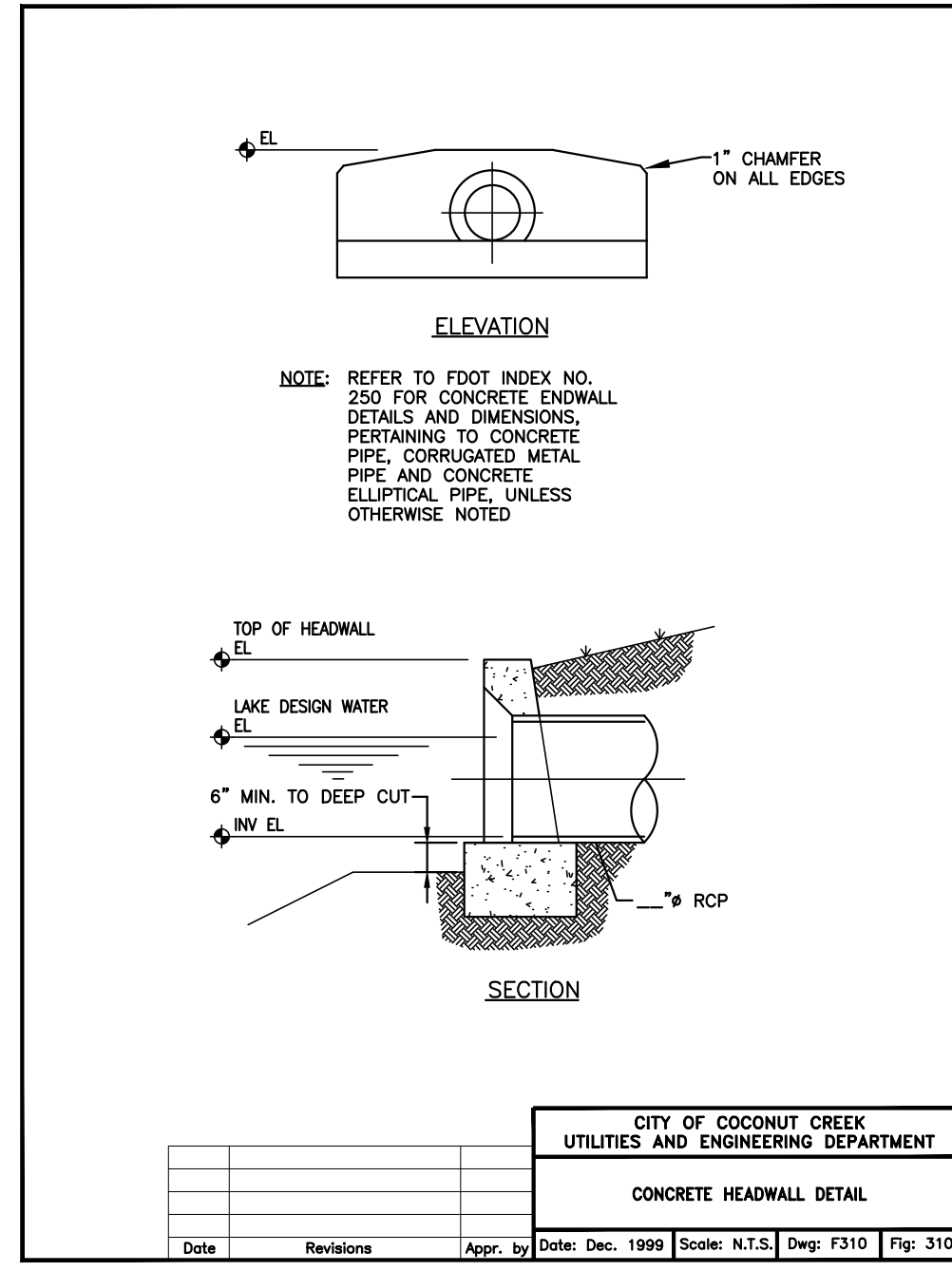
CATCH BASIN/MANHOLE DETAIL
SCALE: 1/2" = 1'-0"



FRENCH DRAIN CONNECTION DETAIL
SCALE: 1/2" = 1'-0"



FRENCH DRAIN SECTION
SCALE: 1/2" = 1'-0"



BAFFLE & BRACKET DETAIL
N.T.S.

- NOTES**
- 1) BAFFLE SHALL BE C.M.P. OR C.A.P. SECTION (OUTFALL DIAMETER PLUS 6").
 - 2) 1/2" GALV. WEDGE ANCHORS (ULT. PULLOU 6000, ULT. SHEAR 5900.)
 - 3) WELD OR 2-3/8" THRU BOLTS
 - 4) BOLTED TO WALL WITH TOP CAPPED. (WATER TIGHT)
 - 5) INVERT BAFFLE FOR WEIR INSTALLATION

- NOTES:**
1. PROVIDE BAFFLE WHEREVER PIPE ENTERS FRENCH DRAIN.
 2. BAFFLE SHALL BE TYPE S-15 HYDRO-BAFFLE AS MANUFACTURED BY GEOTECHNICAL MARINE CORP. OR APPROVED EQUAL.

MIDTOWN RESIDENCES AT
COCONUT CREEK
FOR:
FLORIDA CRYSTALS
LOCATED AT:
COCONUT CREEK, FLORIDA

MSA ARCHITECTS, INC.
MIAMI OFFICE
7695 SW 104th ST.
MIAMI, FLORIDA 33156
(305) 273-9911

MSA ARCHITECTS
ARCHITECTURE & PLANNING

DRAWN	-
CHECKED	-
DATE	12/19/2013
SCALE	AS SHOWN
JOB NO.	-
SHEET	-

CONSULTING ENGINEERING & SCIENCE, INC.
10700 N. KENDALL DRIVE SUITE 400
MIAMI, FLORIDA 33176 (305)-379-5555
EB-0003255

FOR THE FIRM:
RICHARD B. BOCHNOVICH
PE-19833 (CIVIL)

CES PROJECT NO.: 13075