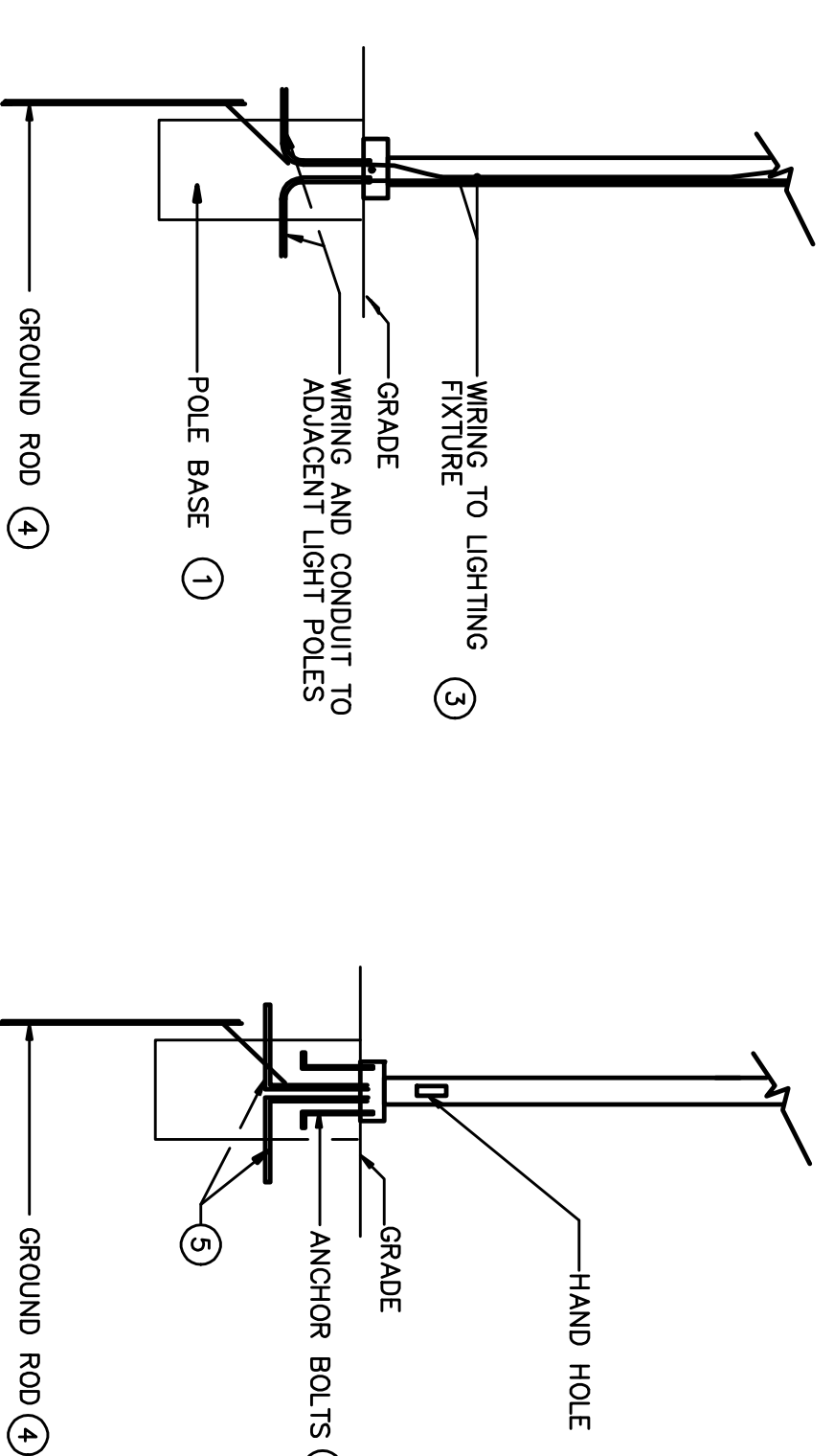


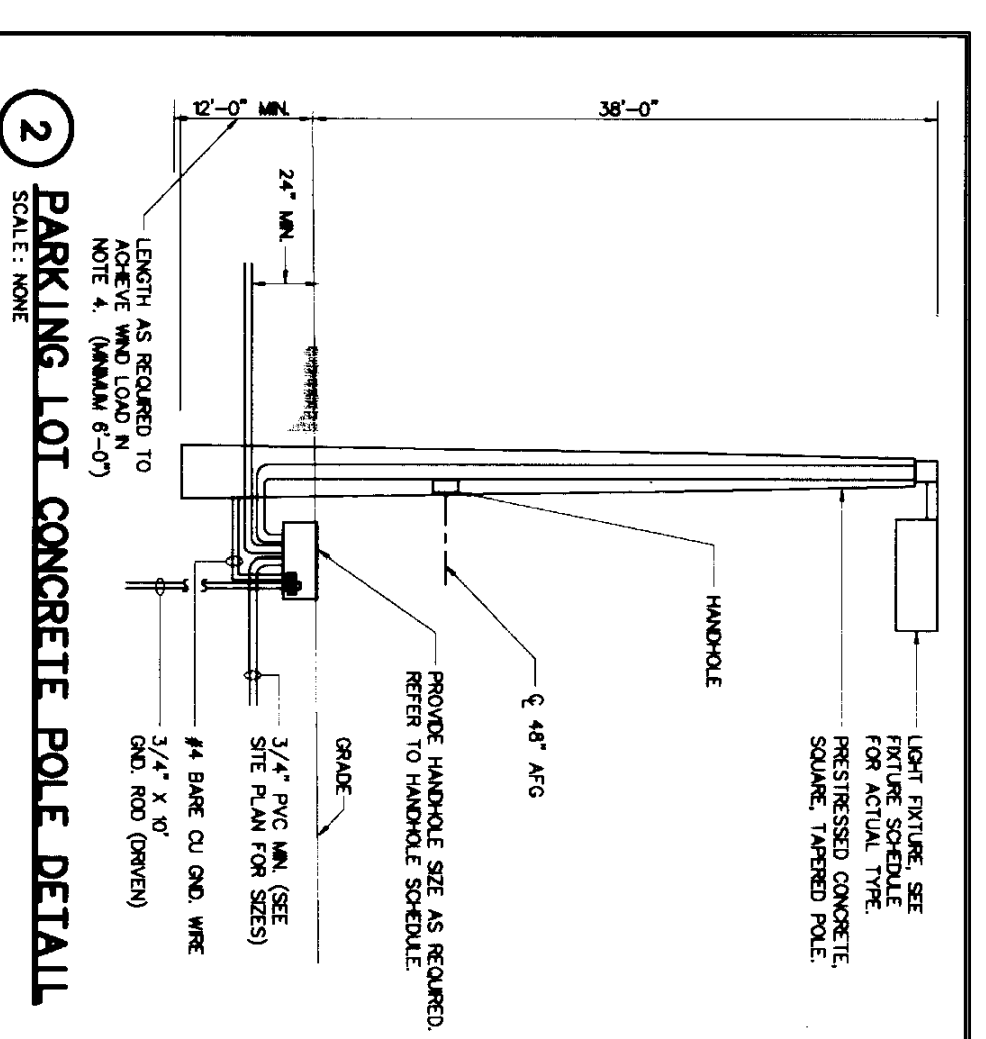
Issue	Date & Issue Description	By	Check
01	CIVIL REVISIONS FOR THIS LIGHTING	ALF	SRM
02	CLIENT'S SITE LIGHTING REQUIREMENTS	ALF	SRM



(TYP.) SITE LIGHT POLE WIRING DETAIL (6)
NO SCALE

POLE WIRING DETAIL NOTES:

- ① REINFORCED CONCRETE POLE BASE BY CIVIL CONTRACTOR. SEE CIVIL SITE PLAN FOR LOCATIONS & DETAILS.
- ② ANCHOR BOLTS AS RECOMMENDED BY THE POLE MANUFACTURER.
- ③ #3 & #1 #10 GND IN 1" SCH 40 PVC CONDUIT TO FIXTURES (THRU COPPER CONDUCTORS) ENCASED IN CONCRETE DUCTBANK. (THRU COPPER CONDUCTORS) ENCASED IN CONCRETE DUCTBANK. KTY 4 FUSE (BUSSMAN) INSTALLED IN BEG. INSTALL FUSES IN HAND HOLE. SEE PLANS FOR WIRE SIZE.
- ④ COPPER GROUND ROD (10 FOOT x 3/4" DIA.) WITH CADWELD CONNECTION TO THE GROUNDING ELECTRODE CONDUCTOR (NO. 6 AWG, MINIMUM) CONNECT TO METAL POLE AT GROUND LUG. CONDUIT STUBBED INTO THE POLE BASE FOR UNDERGROUND WIRING ENTRY.
- ⑤ ALL FIXTURES ON A SINGLE RUN ARE TO BE ON THE SAME LIGHTING CIRCUIT AS SHOWN, EACH POLE SHALL HAVE SEPARATE FUSING.



② PARKING LOT CONCRETE POLE DETAIL
SCALE: NONE

GENERAL NOTES

- 1. ALL LIGHT POLE LOCATIONS, THE CONTRACTOR SHALL PROVIDE 3/4" x 1/2" IN ALL DIRECTIONS FOR THE CONDUIT. THE CONDUIT SHALL BE EXTENDED TO TRUCK SLIP FITTER EQUIPMENT DRAWING. CONDUIT SHALL ALSO BE BORED TO THE GROUND ROD.
- 2. ALL POLES ARE TO BE PROVIDED WITH HAND HOLES (MINIMUM 3"x6").
- 3. PROVIDE ALL HANDBASE NECESSARY TO COMPLETE THE INTENDED INSTALLATION.
- 4. CONTRACTOR SHALL BE REQUIRED TO SUBMIT CALCULATIONS FROM THE POLE MANUFACTURER, STATED BY A STRUCTURAL ENGINEER LICENSED IN THE STATE OF FLORIDA, TO DETERMINE THE CONFORMANCE WITH EACH LIGHT POLE AND ANCHOR BOLTS.
- 5. 120 MPH IN ACCORDANCE WITH CALCULATIONS DICTATED IN THE FLORIDA BUILDING CODE.
- 6. CONTRACTOR IS TO FINISH AND INSTALL, IN-LINE BALAST FIRES IN BRUSHING THROUGH WEATHERPROOF FUSE HOLDERS (SEE SCHEDULES WITH KTY FUSES (SIZE AS REQUIRED)). FUSE EACH LUMINAIRE SEPARATELY.
- 7. ALL WIRING AND CONDUIT SHALL BE INSTALLED AT REMOTE POLE LOCATION. THE CONTRACTOR SHALL BE RESPONSIBLE FOR THE PROTECTION OF THE CONDUIT AND WIRING.
- 8. CONCRETE POLES SHALL BE CONSTRUCTED OF A 5000 PSI REINFORCED CONCRETE. MINIMUM HEIGHT SHALL BE 12'-0". MINIMUM LENGTH SHALL BE 12'-0".

NOTE: POLE BASE BY CIVIL CONTRACTOR. SEE CIVIL PLAN FOR LOCATIONS AND DETAILS.

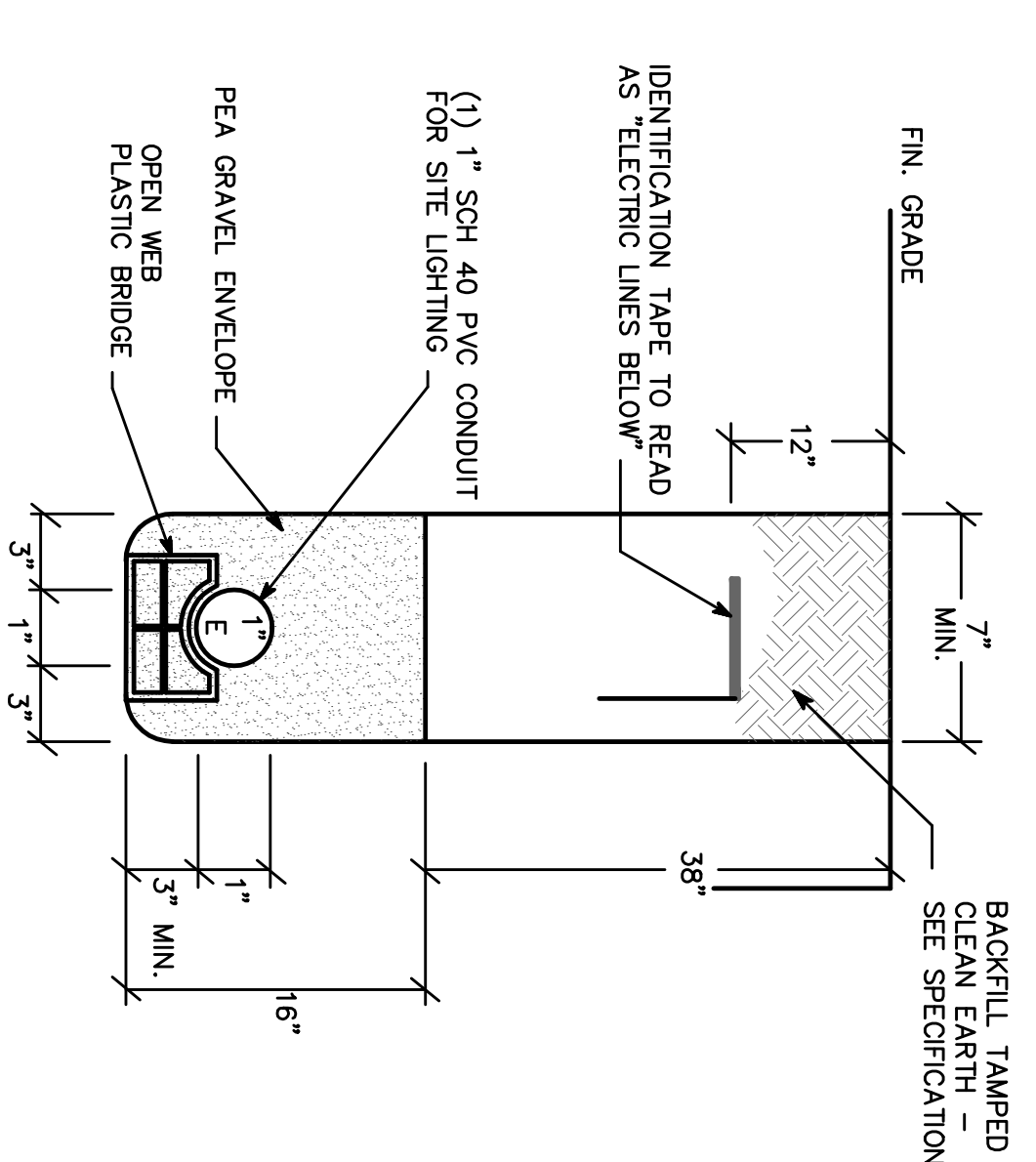
Symbol	Label	Qty	Catalog Number	Description	Lamp	Lumens	LLF	Watts	Max. Hgt.
⊙	K	7	KURT VERBERK P21-WF-D-2K	DOWNLIGHT	32TRT	2200	0.75	38	8'-0"
☑	K2	11	SPECTRUM S61250L-Q35-46-H-8H27-QS-RING	1/4" SQUARE ENCLOSED DOWNLIGHT	65W QL	6000	0.72	85	11'-0" 17'-0"
■	S91	3	WLS LIGHTING WLS-FWR-S100-4MR-FG-QS (8' SQUARE TAPERED 1400MH POLE TO MATCH)	FWR SERIES -TO MATCH EXISTING SHOPPING CENTER FIXTURES. SEE TYPICAL. SITE LIGHT POLE WIRING DETAIL ON THIS SHEET.	1-1000W MH BU CLEAR (142)	110000	0.72	2180	38'-0"
□	S01	1	WLS LIGHTING WLS-FWR-S100-4MR-FG-QS (8' SQUARE TAPERED 1400MH POLE TO MATCH)	FWR SERIES -TO MATCH EXISTING SHOPPING CENTER FIXTURES. SEE TYPICAL. SITE LIGHT POLE WIRING DETAIL ON THIS SHEET.	1-1000W MH BU CLEAR (142)	110000	0.72	2180	38'-0"
○	U	1	GAUTH SUNDOWNER SMD-12-2-2-R2-P.L.-W/BOBINE BMIC	SURFACE MOUNTED WALL LUMINAIRE	(2) 32W PLT	2400	0.81	73	12'-0"
⊙	W	1	GAUTH SURFOURMH-1-BLK	SURFACE MOUNTED WALL LUMINAIRE	(1) 70W MH	8200	0.72	123	12'-0"

LIGHTING FIXTURE NOTES:

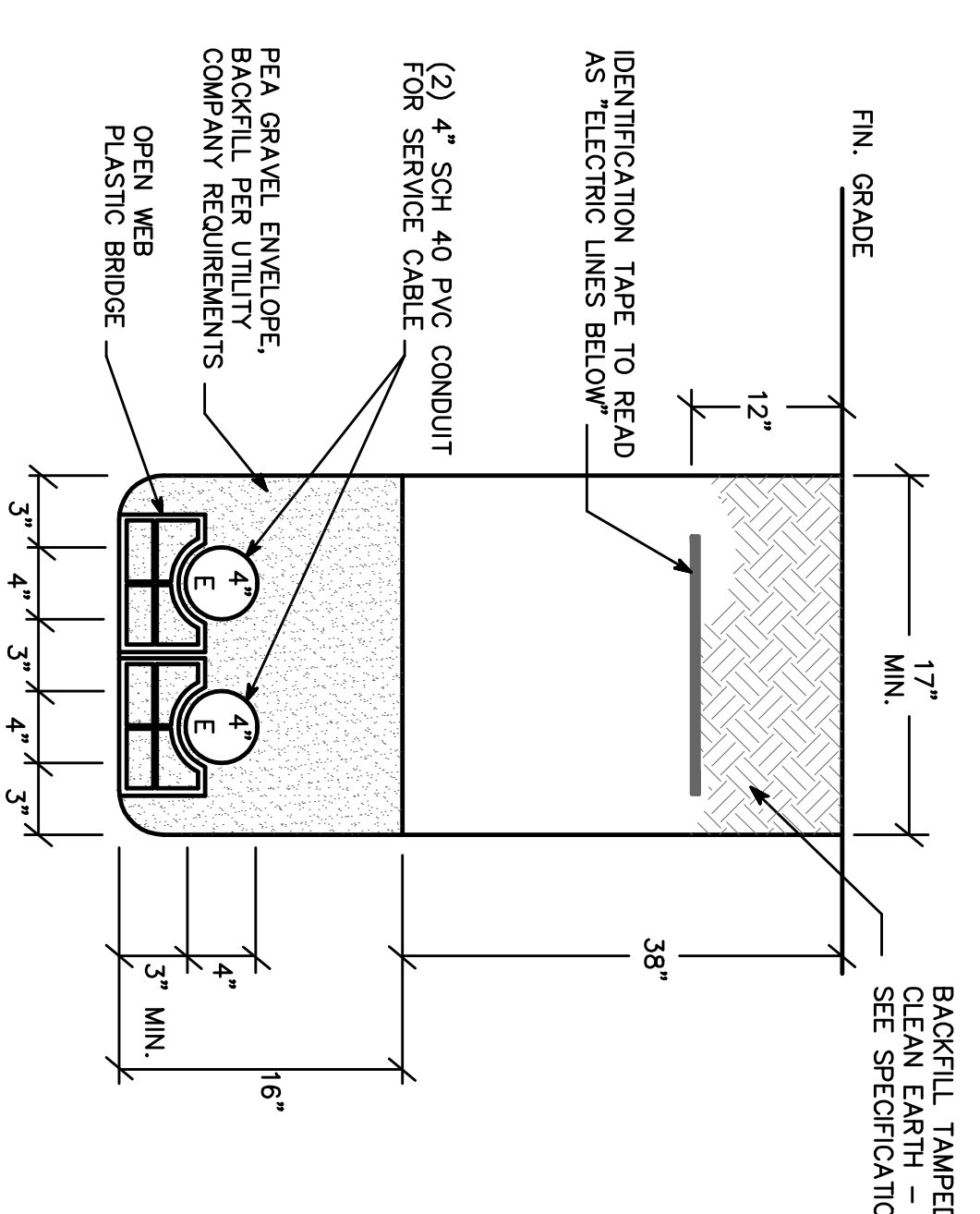
1. ALL LIGHTING FIXTURES ARE TO MEET THE REQUIREMENTS OF ALL LOCAL MUNICIPAL CODES.

Description	Symbol	Avg	Max	Min	Max/Ht	Angle/Ht
Overall Spa	X	5.9 fc	13.2 fc	1.1 fc	12.0:1	5:4:1
ATM Rods	X	7.9 fc	11.7 fc	4.9 fc	2.5:1	1.7:1
Parking and Walkways	X	5.8 fc	10.9 fc	1.1 fc	9.8:1	5:1:1

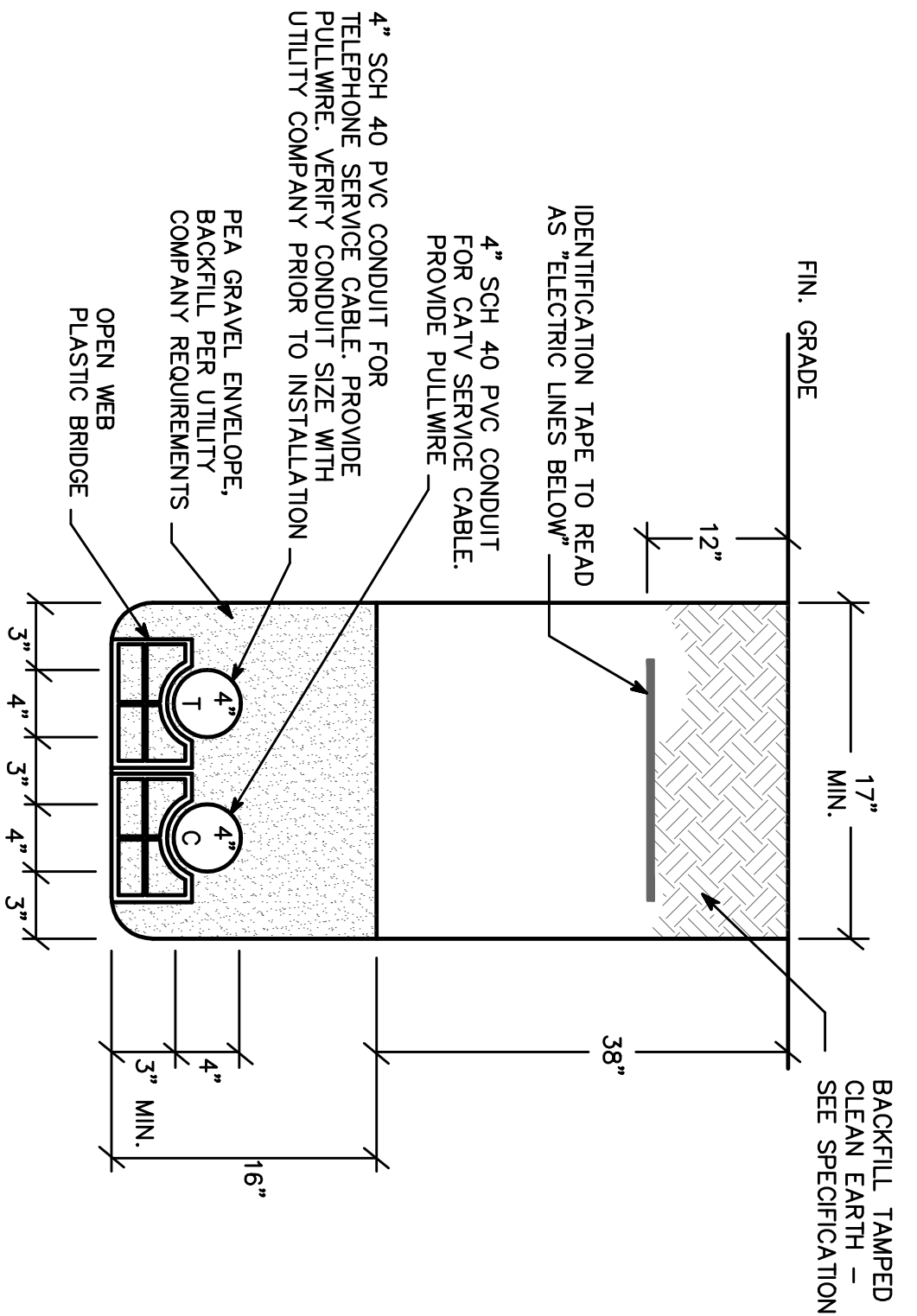
NOTE: PHOTOMETRIC CALCULATIONS INCLUDE CONTRIBUTIONS FROM LIGHT FIXTURES LOCATED AT ADJACENT SITES.



② SITE LIGHTING DUCT BANK DETAIL
SCALE: NIS



③ ELECTRICAL SERVICE DUCT BANK DETAIL
SCALE: NIS



④ TELEPHONE & CATV DUCT BANK DETAIL
SCALE: NIS

Revision table with columns for Description, Date, and By.

Project Name: SITE #183

Project Number: 08.6774.000

Description: ELECTRICAL SITE PLAN

Scale: AS NOTED