



THIS DRAWING IS THE PROPERTY OF CORWIL ARCHITECTS INC. UNLESS OTHERWISE PROVIDED FOR BY CONTRACT, THE CONTENTS OF THIS DRAWING ARE CONFIDENTIAL AND SHALL NOT BE TRANSMITTED TO ANY OTHER PARTY EXCEPT AS AGREED TO BY THE ARCHITECTS/ENGINEERS.

SHEET TITLE

**PRIVACY FENCE  
PARTIAL  
ELEVATIONS**

DATE: 06-24-2009

JOB NO. 2009-13

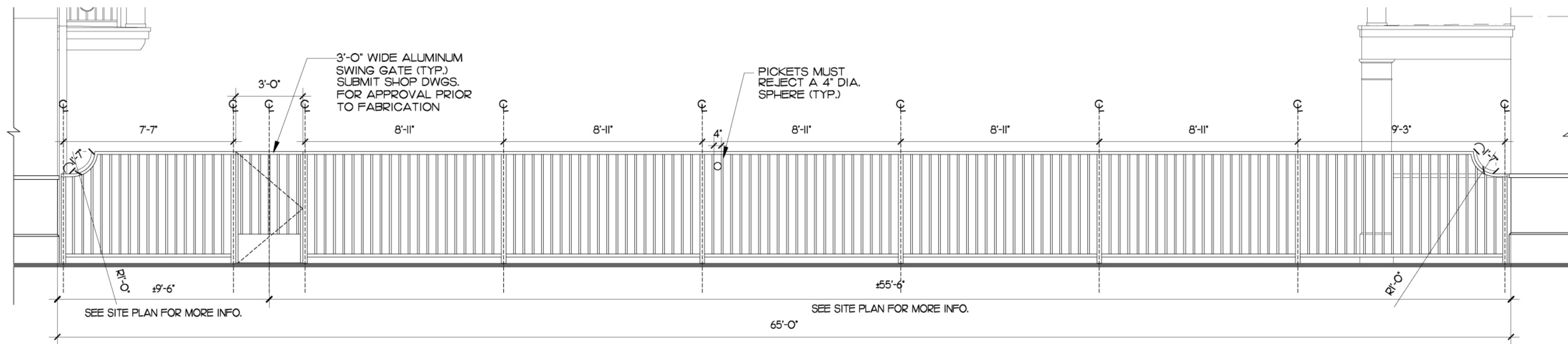
DRAWN BY FG

APPR BY AMC

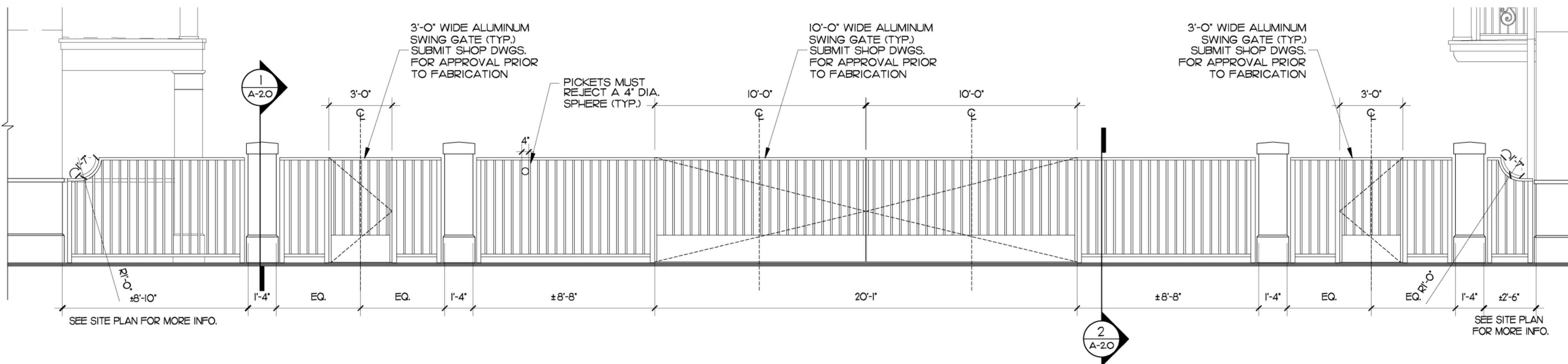
FILE 2009-13

SHEET NO.

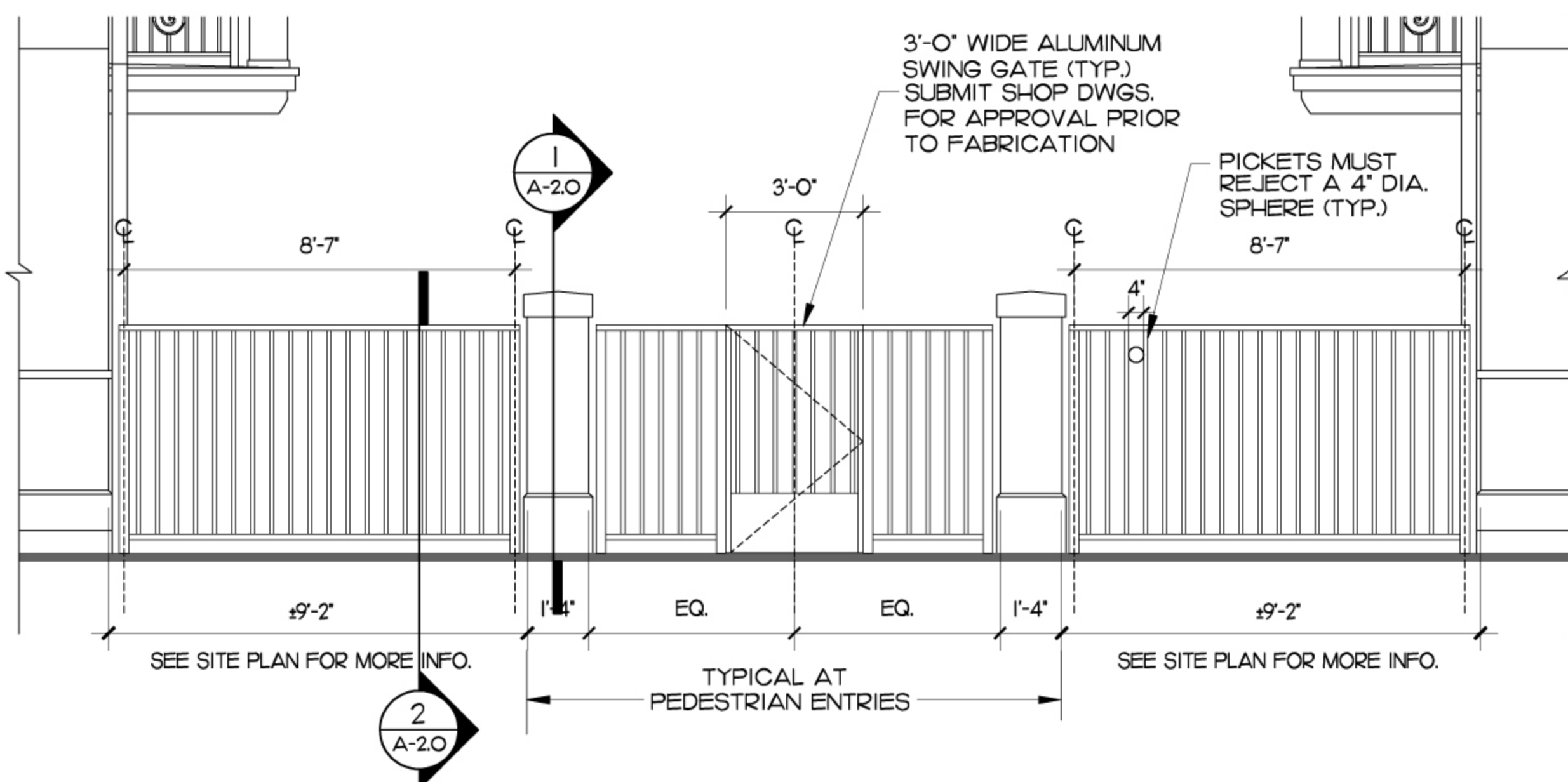
**A-2.02**



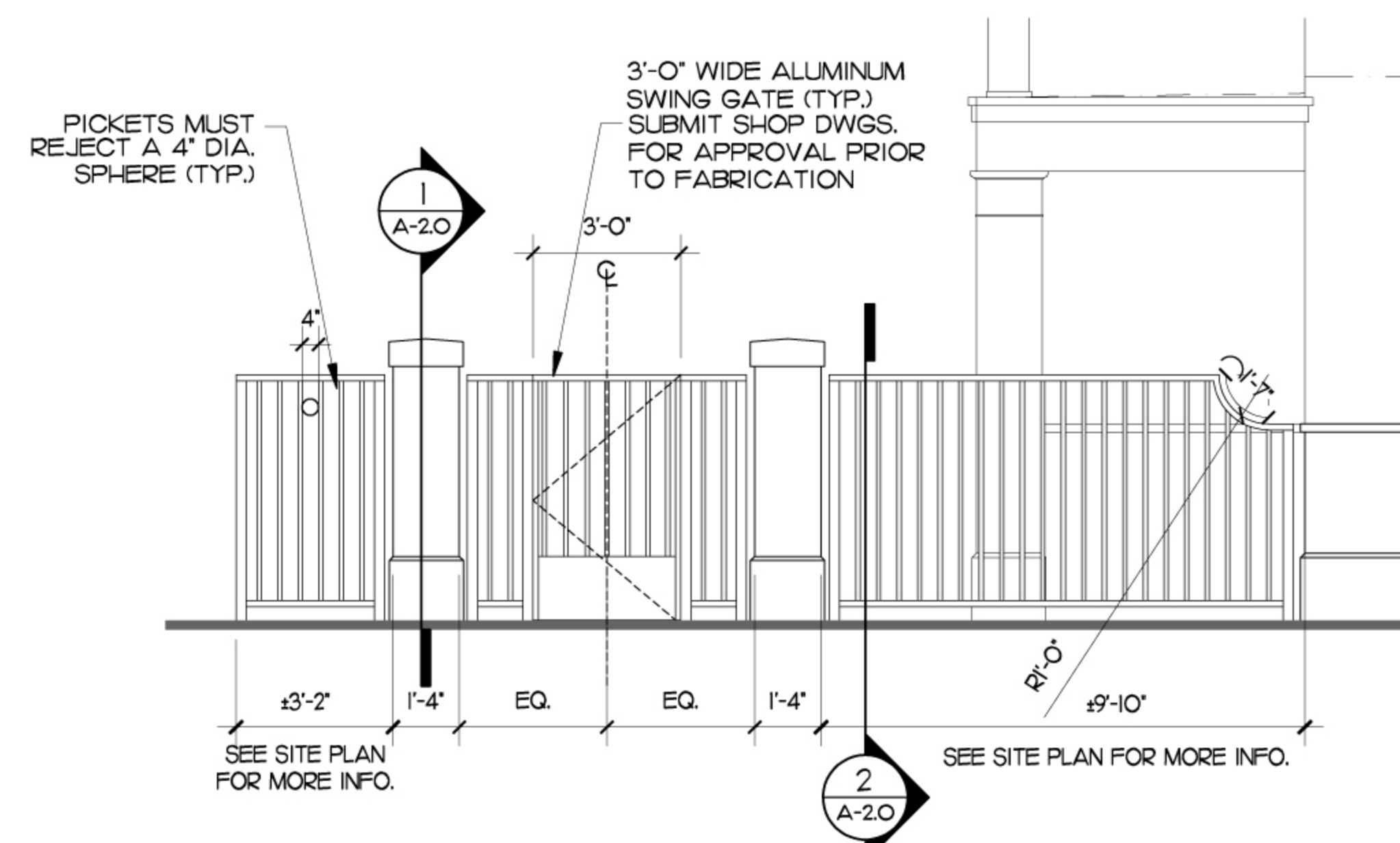
**PRIVACY FENCE ELEVATION 1**  
SCALE: 3/8"=1'-0"



**PRIVACY FENCE ELEVATION 2**  
SCALE: 3/8"=1'-0"



**PRIVACY FENCE ELEVATION 3**  
SCALE: 3/8"=1'-0"



**PRIVACY FENCE ELEVATION 4**  
SCALE: 3/8"=1'-0"

NOTE: COLORS FOR RAIL FENCE AND COLUMNS WILL BE CONSISTENT WITH APPROVED COLORS FOR THE RESIDENTIAL BUILDINGS.