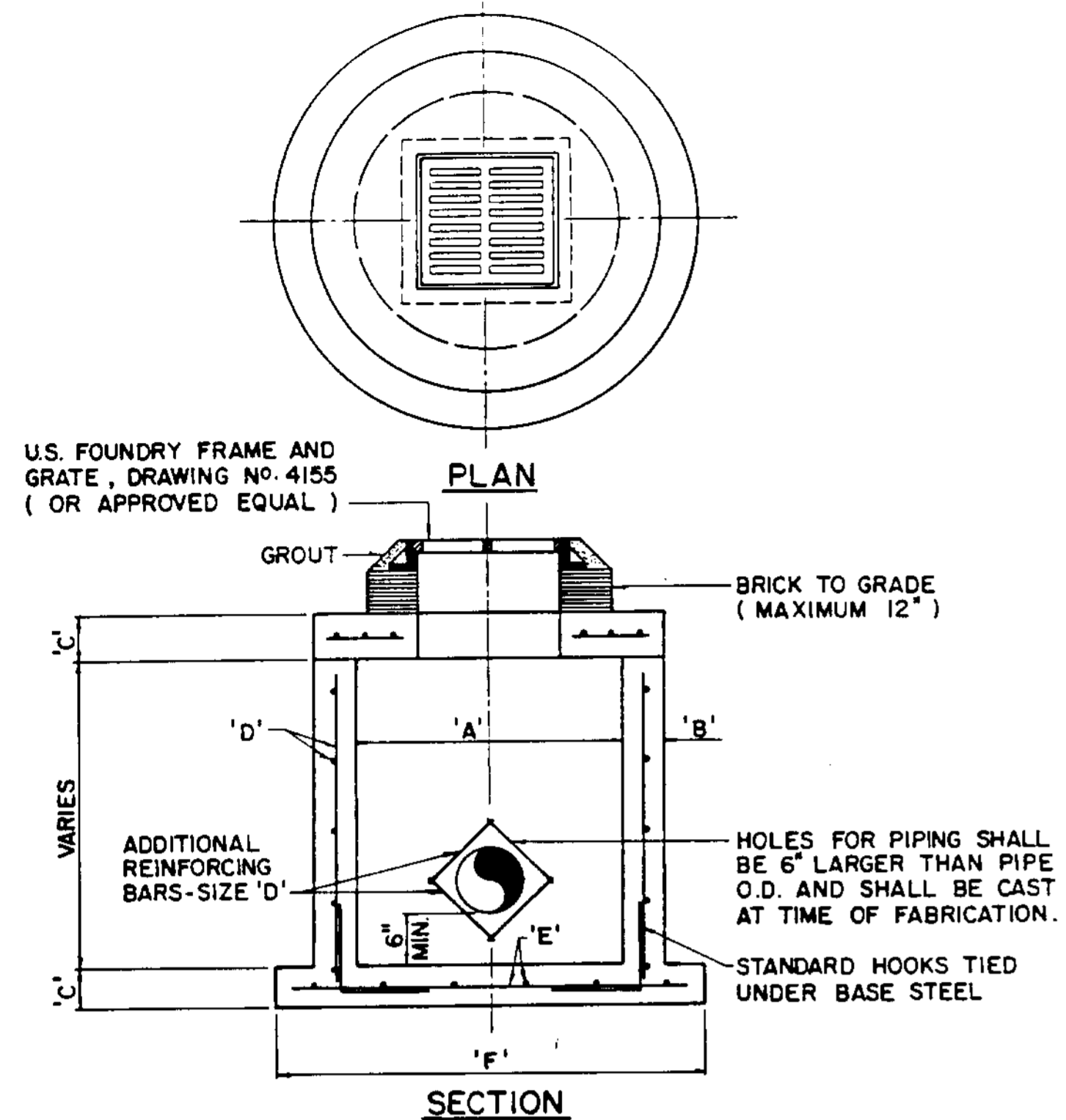


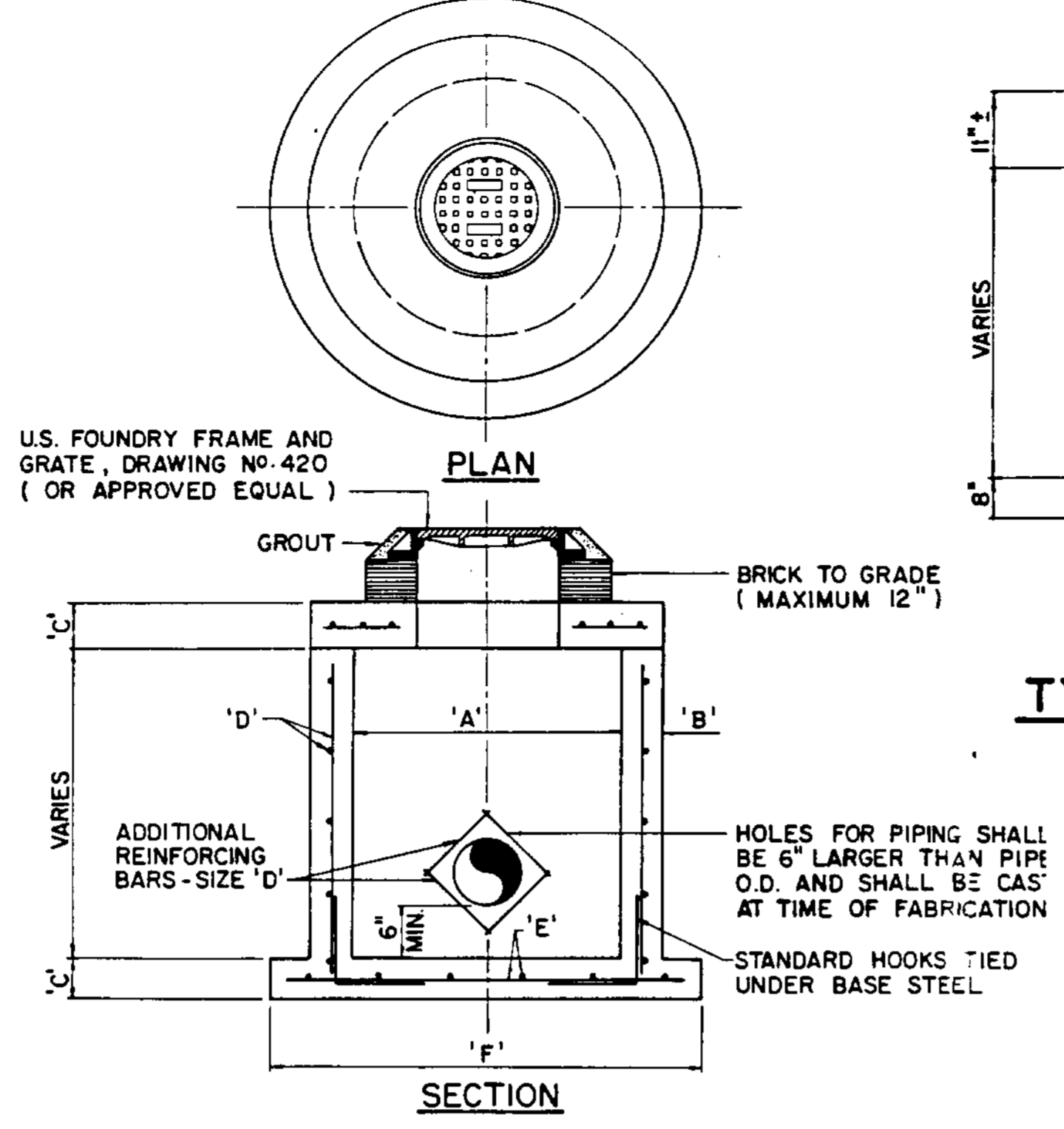
No.	DATE	REVISION	B.

ENGINEERING
 3500 PARK CENTRAL BLVD., NORTH
 SUITE 200 • POMPANO BEACH, FL 33064 • 968-0113



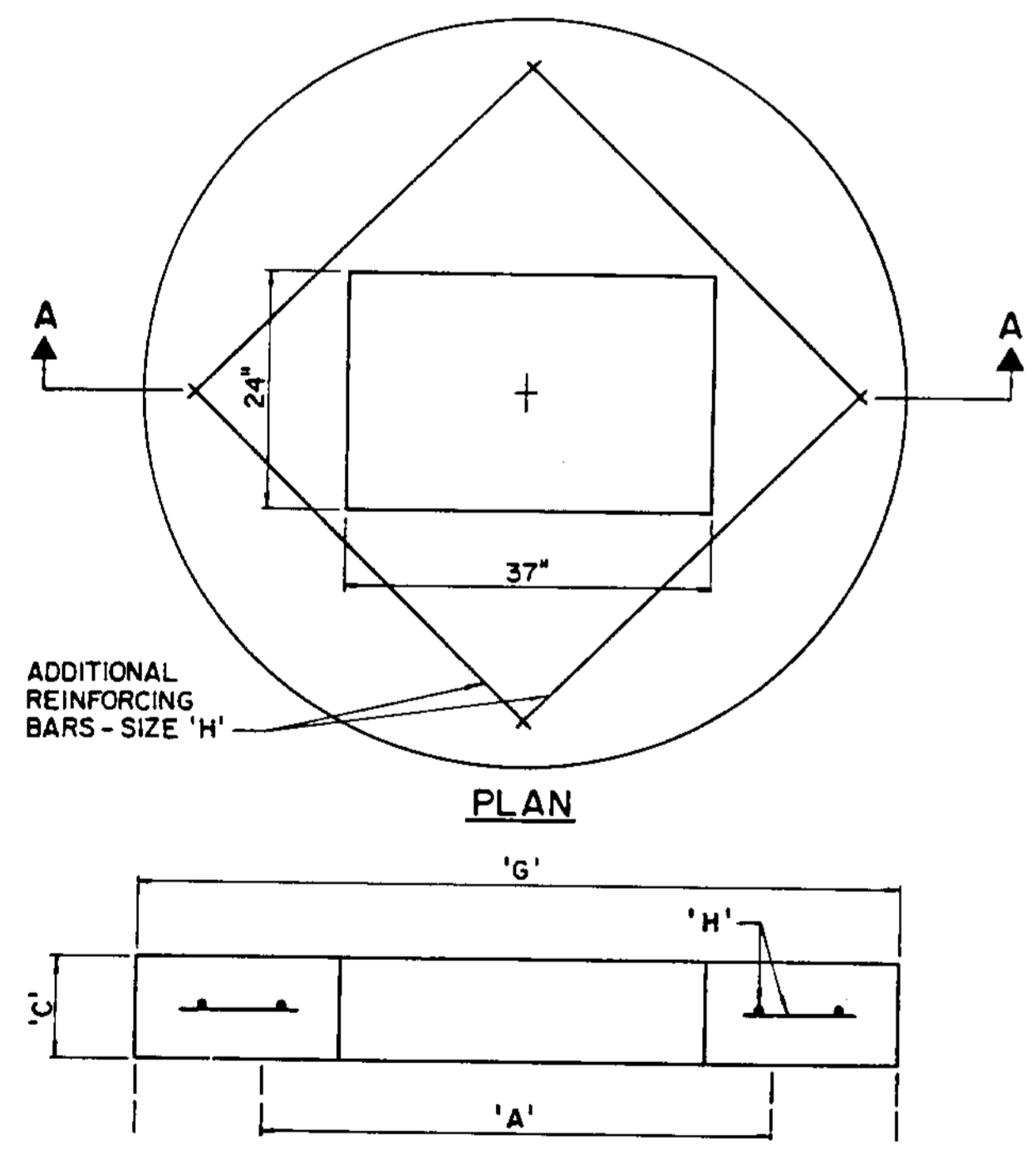
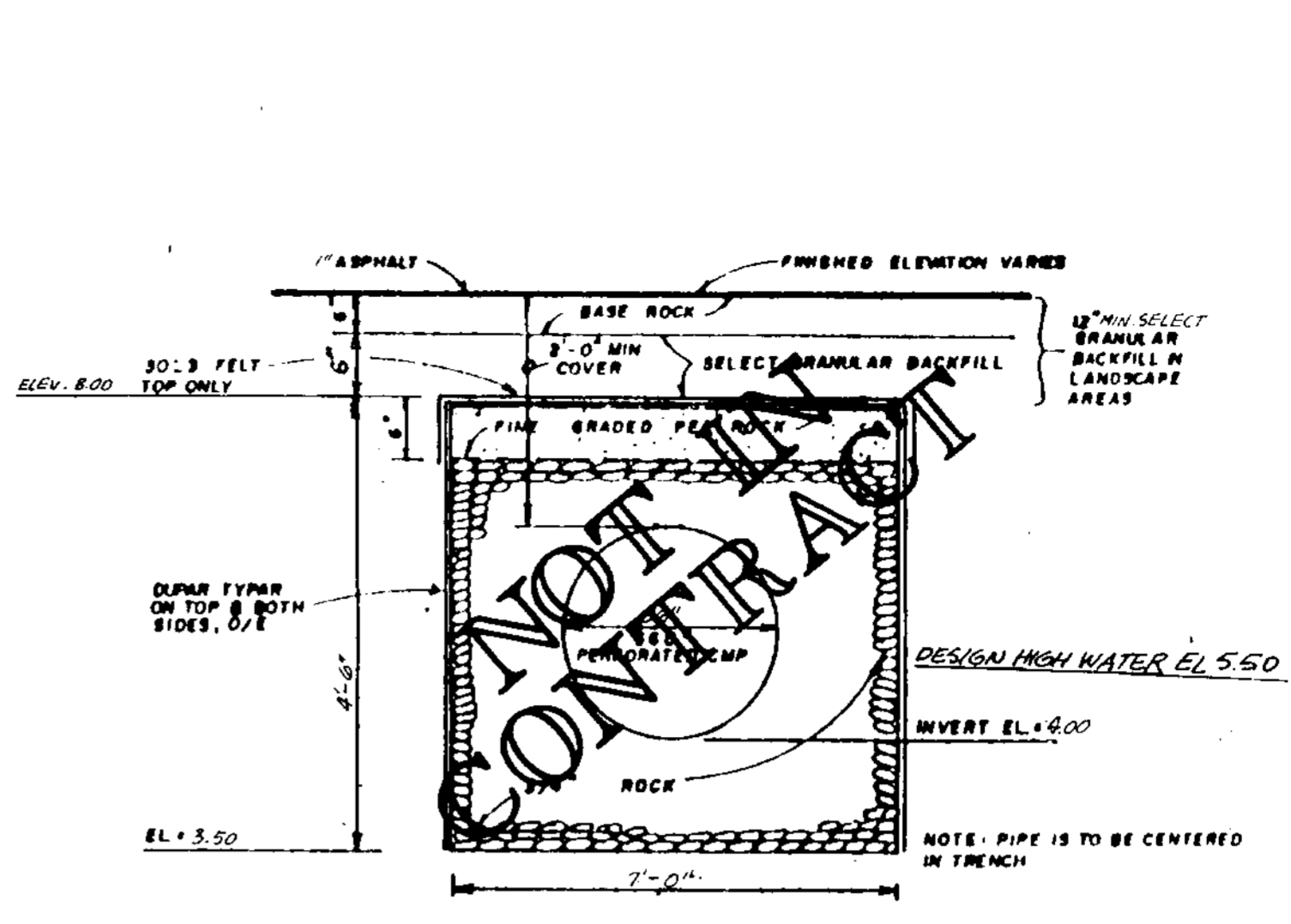
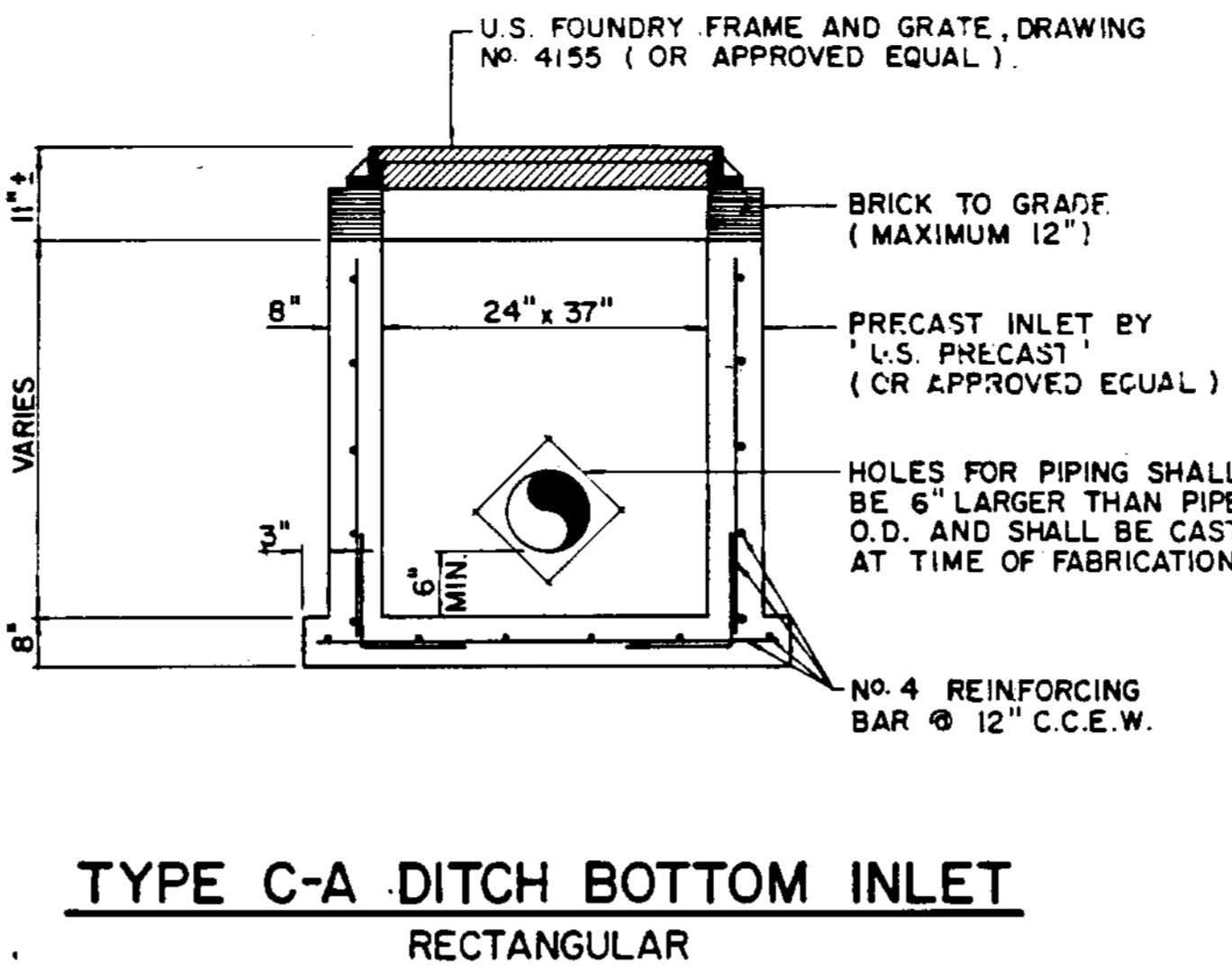
TYPE	'A'	'B'	'C'	'D'	'E'	'F'
C-4	4'-0"	8"	8"	#4@12" C.C.E.W.	#4@12" C.C.E.W.	6'-4"
C-5	5'-0"	8"	8"	#5@12" C.C.E.W.	#5@12" C.C.E.W.	7'-4"
C-6	6'-0"	8"	10"	#5@12" C.C.E.W.	#5@6" C.C.E.W.	8'-4"
C-7	7'-0"	8"	10"	#5@12" C.C.E.W.	#5@6" C.C.E.W.	9'-4"
C-8	8'-0"	10"	10"	#5@12" C.C.E.W.	#5@6" C.C.E.W.	10'-8"

PRECAST CIRCULAR CATCH BASIN



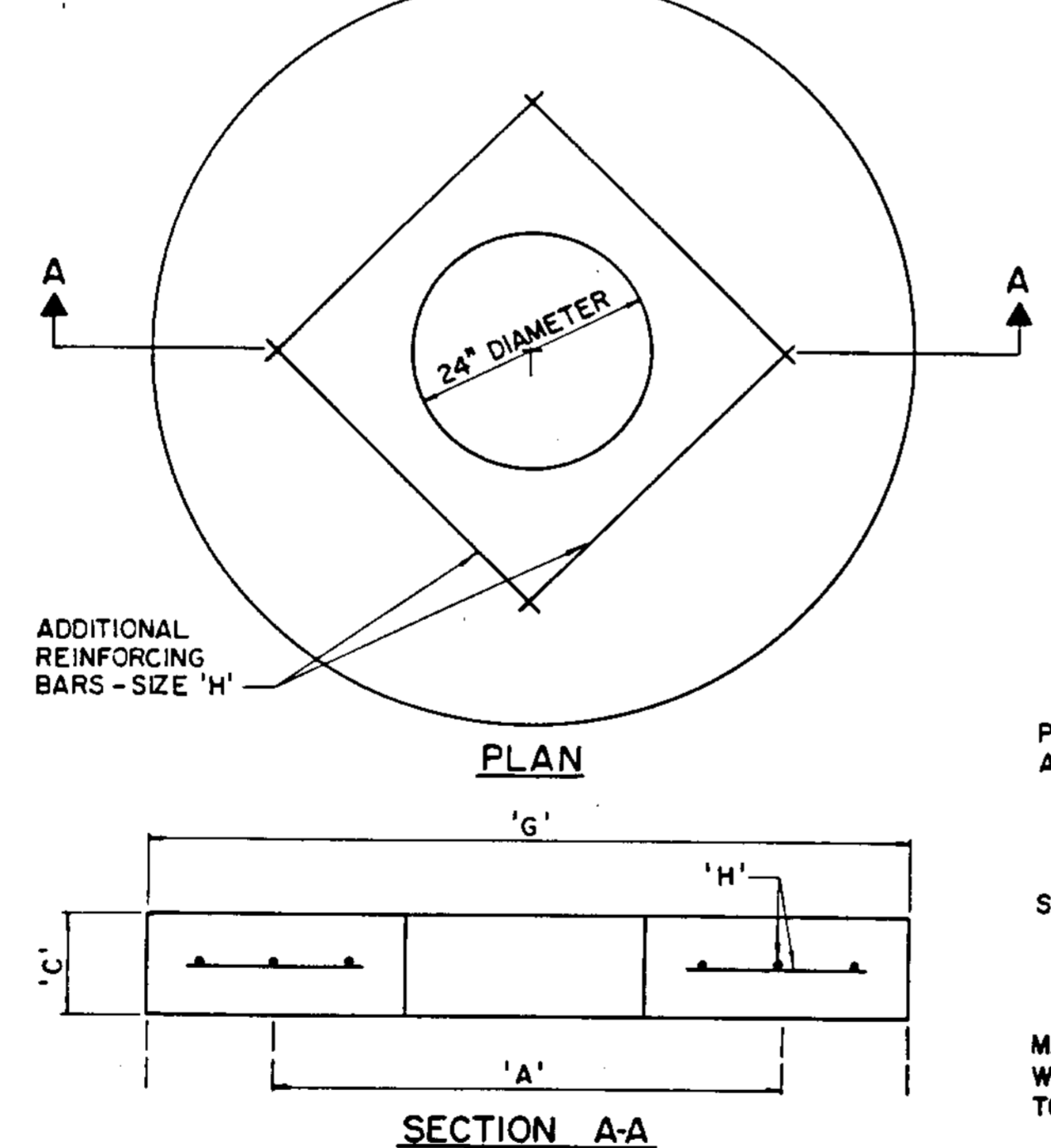
TYPE	'A'	'B'	'C'	'D'	'E'	'F'
M-4	4'-0"	8"	8"	#4@12" C.C.E.W.	#4@12" C.C.E.W.	6'-4"
M-5	5'-0"	8"	8"	#5@12" C.C.E.W.	#5@12" C.C.E.W.	7'-4"
M-6	6'-0"	8"	10"	#5@12" C.C.E.W.	#5@6" C.C.E.W.	8'-4"
M-7	7'-0"	8"	10"	#5@12" C.C.E.W.	#5@6" C.C.E.W.	9'-4"
M-8	8'-0"	10"	10"	#5@12" C.C.E.W.	#5@6" C.C.E.W.	10'-8"

PRECAST DRAINAGE MANHOLE



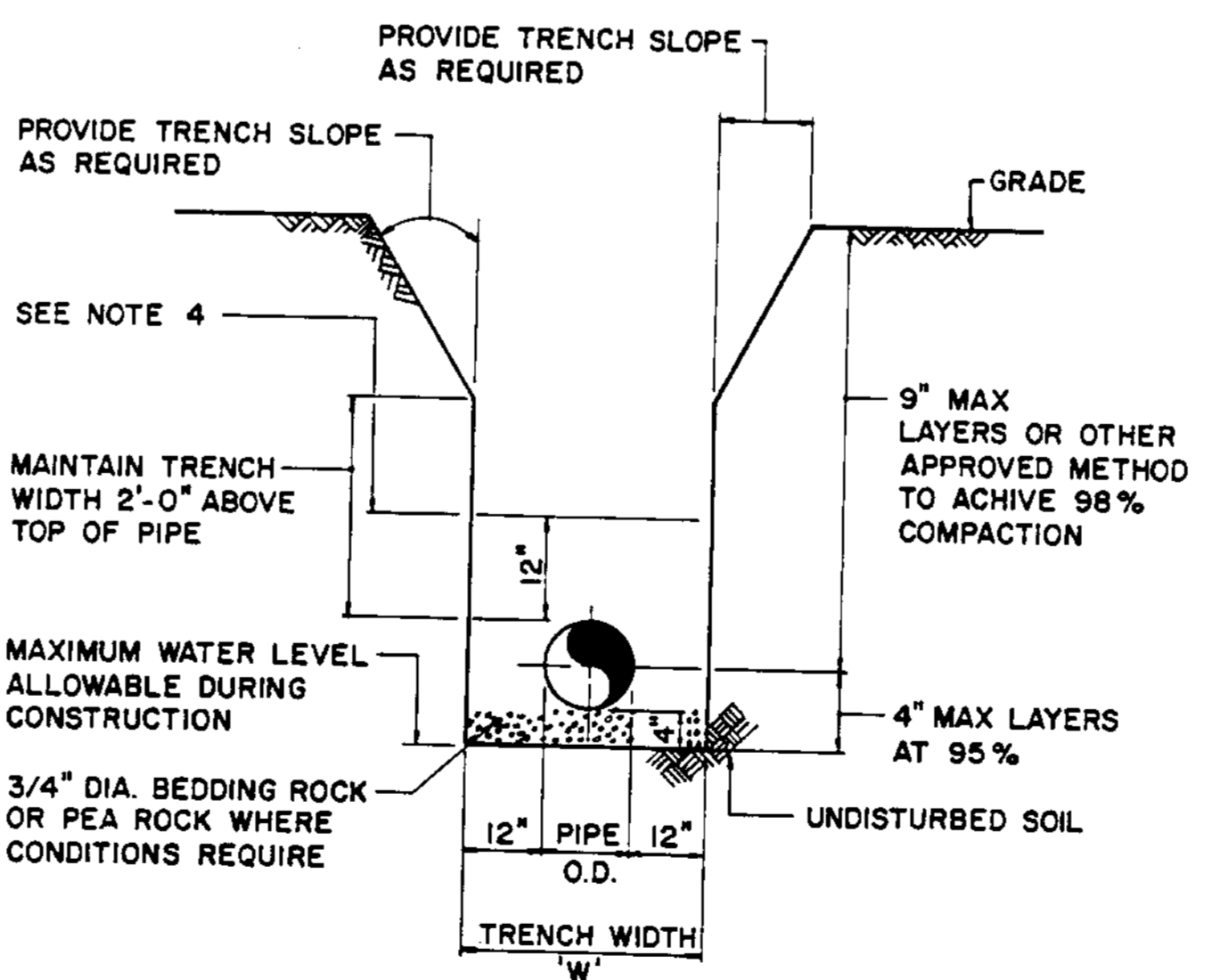
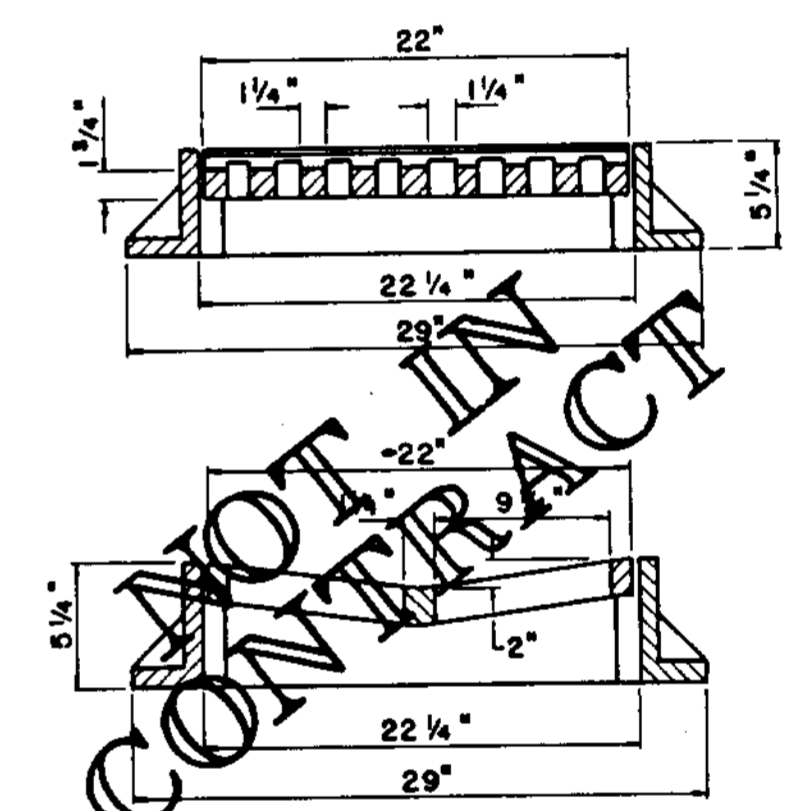
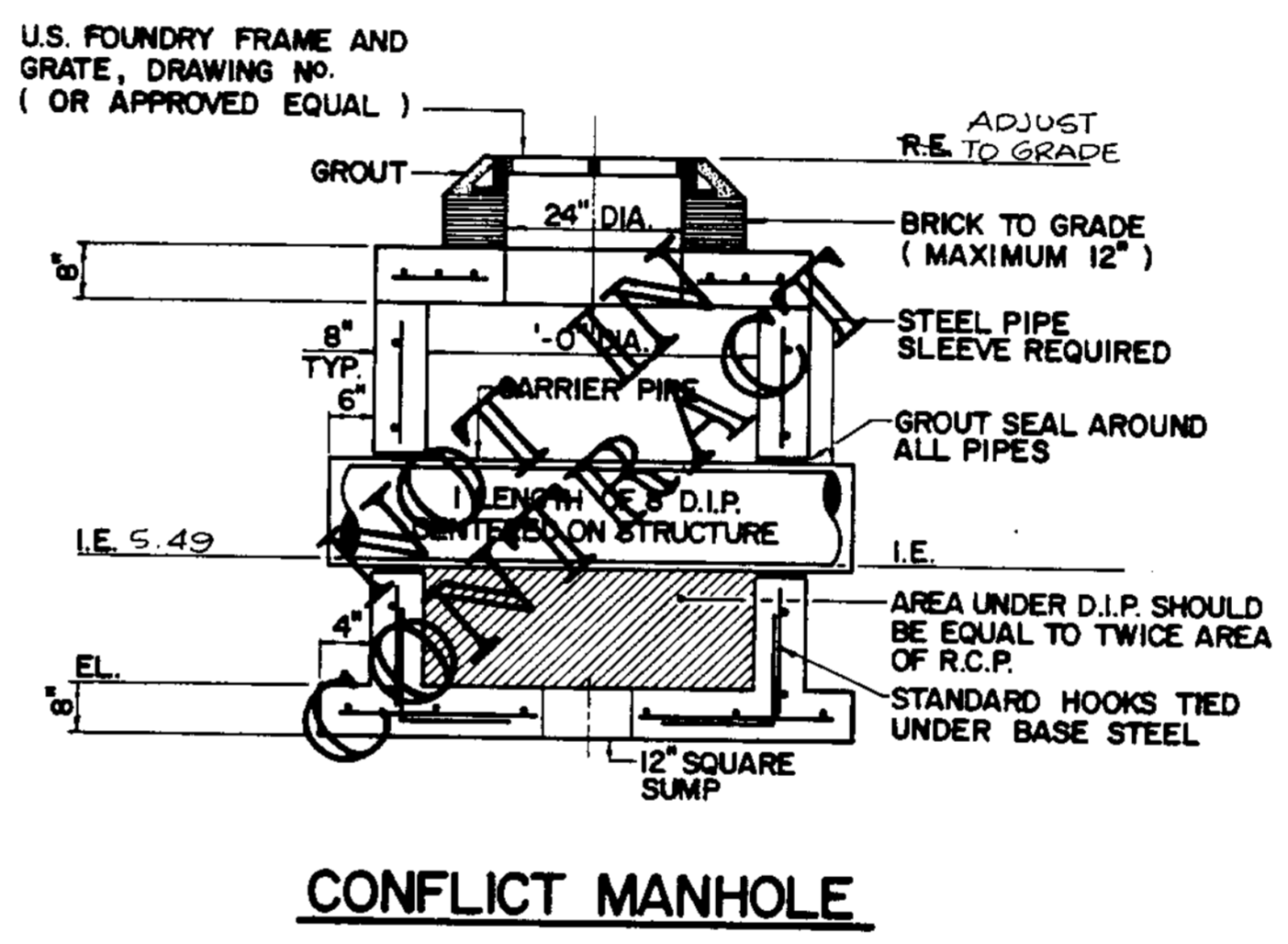
'A'	'C'	'G'	'H'
4'-0"	8"	5'-4"	#4@6" C.C.E.W.
5'-0"	8"	6'-4"	#5@8" C.C.E.W.
6'-0"	10"	7'-4"	#5@6" C.C.E.W.
7'-0"	10"	8'-4"	#5@6" C.C.E.W.
8'-0"	10"	9'-8"	#5@6" C.C.E.W.

PRECAST CONCRETE - TOP SLAB

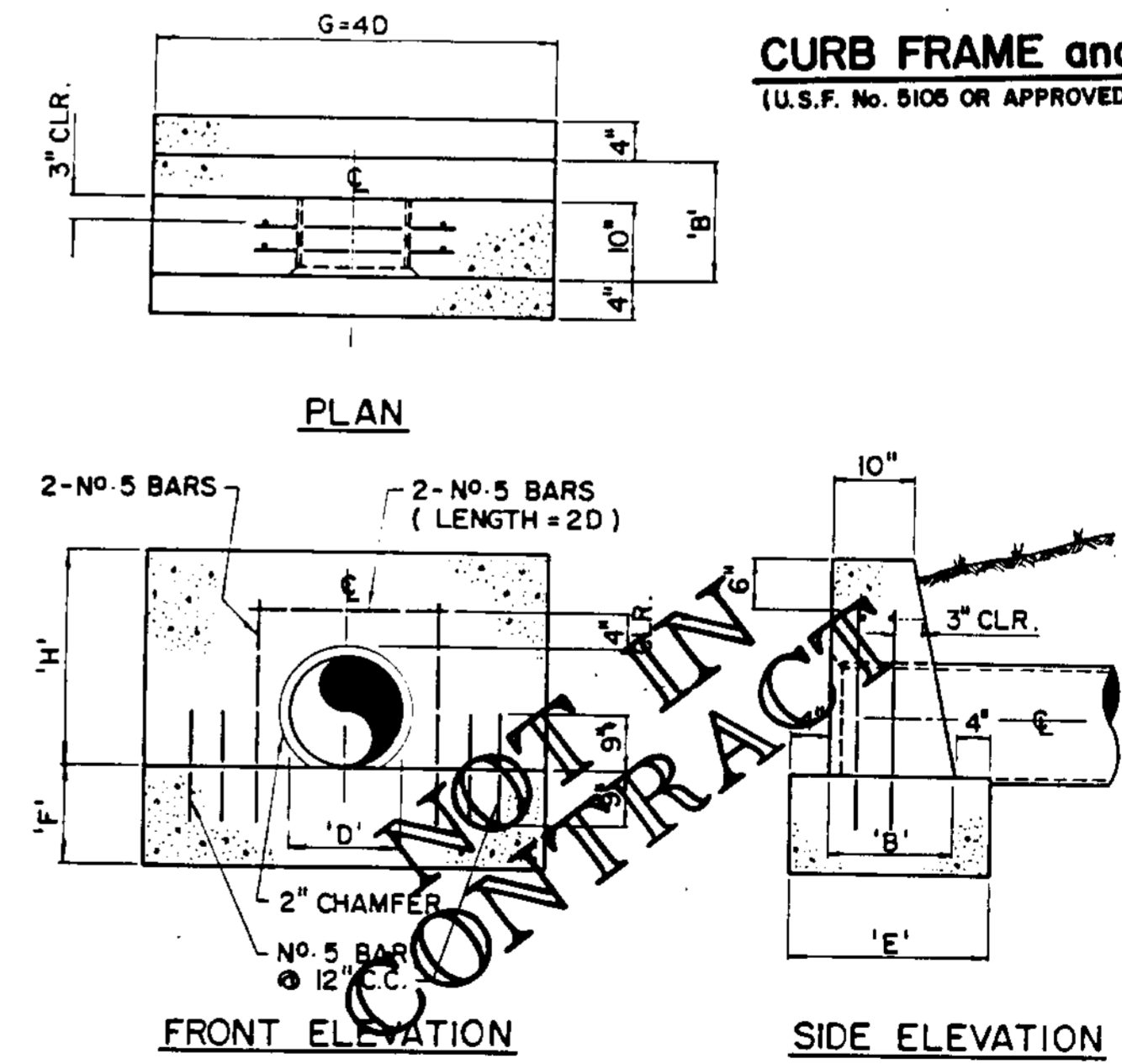


'A'	'C'	'G'	'H'
4'-0"	8"	5'-4"	#4@6" C.C.E.W.
5'-0"	8"	6'-4"	#5@8" C.C.E.W.
6'-0"	10"	7'-4"	#5@6" C.C.E.W.
7'-0"	10"	8'-4"	#5@6" C.C.E.W.
8'-0"	10"	9'-8"	#5@6" C.C.E.W.

PRECAST CONCRETE - TOP SLAB



- NOTES:
- WHERE SOIL CONDITIONS CAN NOT BE MAINTAINED AS SHOWN ABOVE, PROVIDE APPROVED METHOD OF CONSTRUCTION.
 - SHEETING WILL BE REQUIRED AS DETERMINED IN THE FIELD.
 - COMPACTION PERCENTAGES SHOWN REFER TO AASHTO T-180.
 - MECHANICAL COMPACTION NOT ALLOWED BELOW THIS LEVEL.



DIMENSIONS					
'D'	'B'	'E'	'F'	'G'	'H'
12"	1' 2"	1' 10"	1' 0"	4' 0"	2' 0"
15"	1' 2"	1' 10"	1' 2"	5' 0"	2' 3"
18"	1' 3"	1' 11"	1' 3"	6' 0"	2' 6"
24"	1' 4"	2' 0"	1' 4"	8' 0"	3' 0"
30"	1' 6"	2' 2"	1' 6"	10' 0"	3' 6"
36"	1' 8"	2' 4"	1' 8"	12' 0"	4' 0"
42"	1' 10"	2' 6"	2' 0"	14' 0"	4' 6"
48"	2' 1"	2' 9"	2' 0"	16' 0"	5' 0"
54"	2' 5"	3' 1"	2' 4"	18' 0"	5' 6"

CAST IN PLACE CONCRETE HEADWALL

DISCOUNT AUTO PARTS
 CITY OF COCONUT CREEK, FLORIDA

SEAL

STATE OF FLORIDA
 PROFESSIONAL ENGINEER

SEP 27 1989

PROJECT No. **890149**