

NO.	DATE	DESCRIPTION
1	02-04-02	PER REVISED SITE PLAN
2	03-08-02	REVISE SOUTH ENTRANCE

WESTCREEK COMMONS
 COCONUT CREEK
 FLORIDA
PAVEMENT MARKING PLAN

DATE:
NOV, 2001

SCALE:
1" = 40'

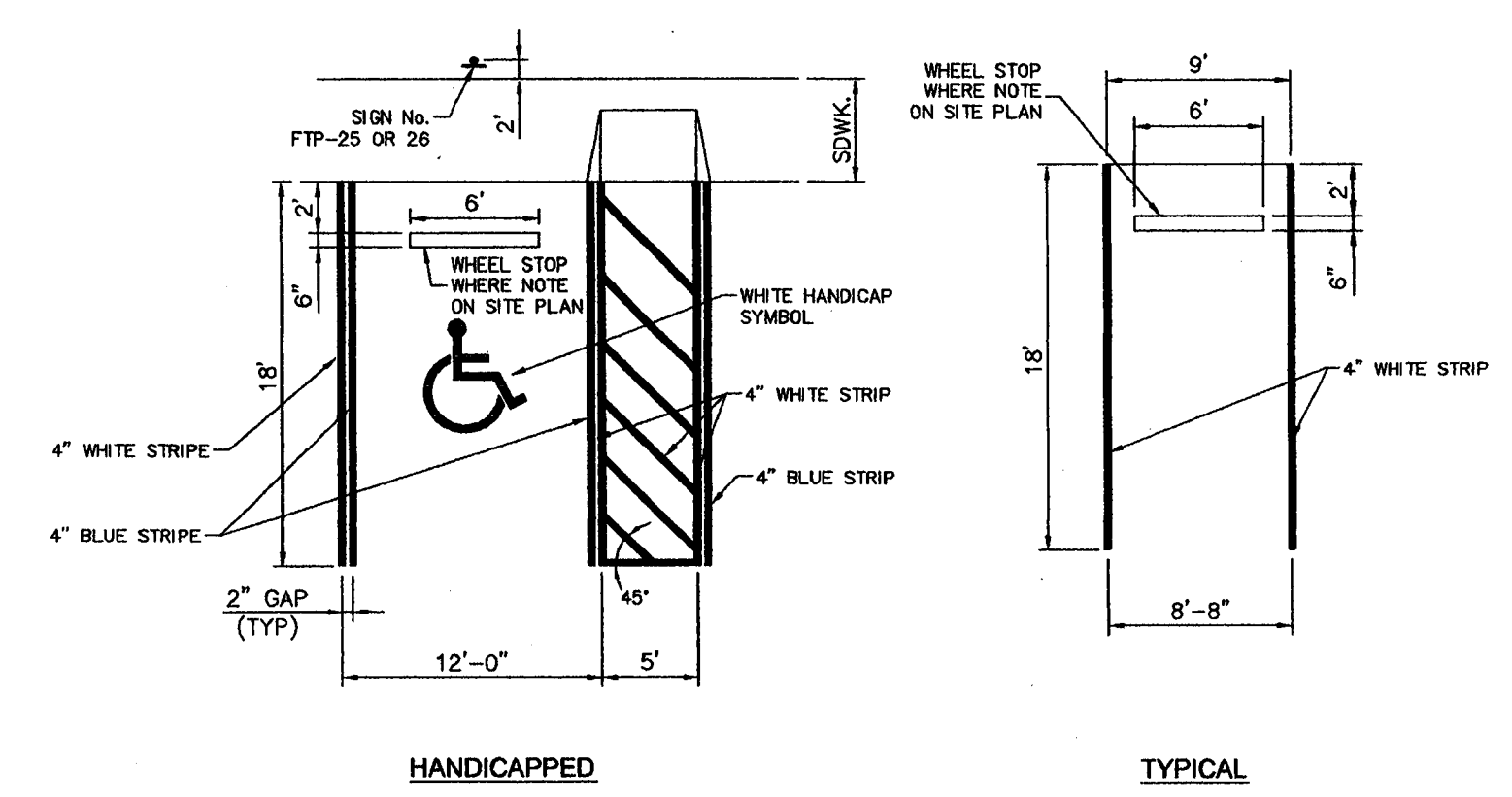
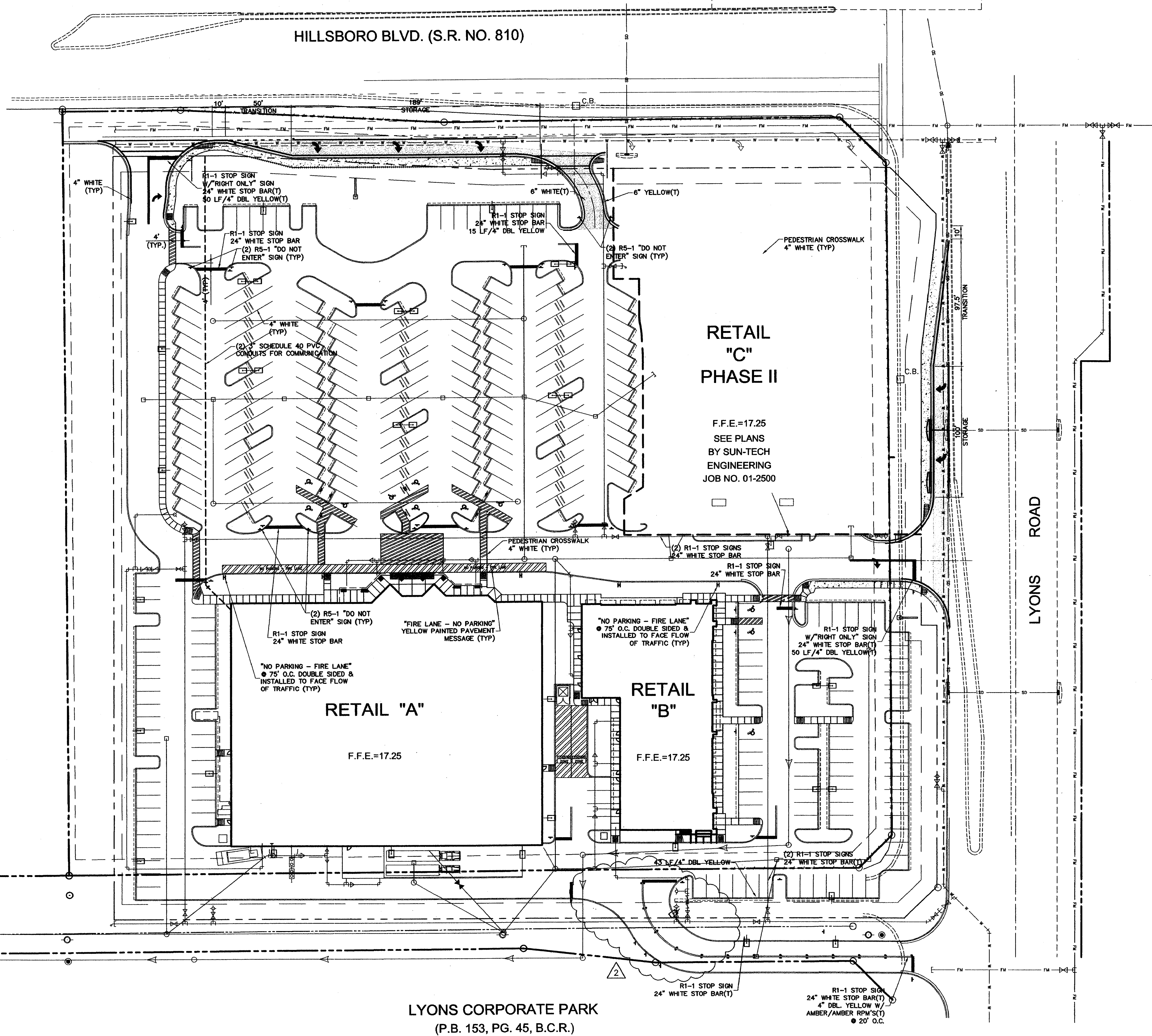
DESIGNED BY:
M.G.

DRAWN BY:
M.A.S.

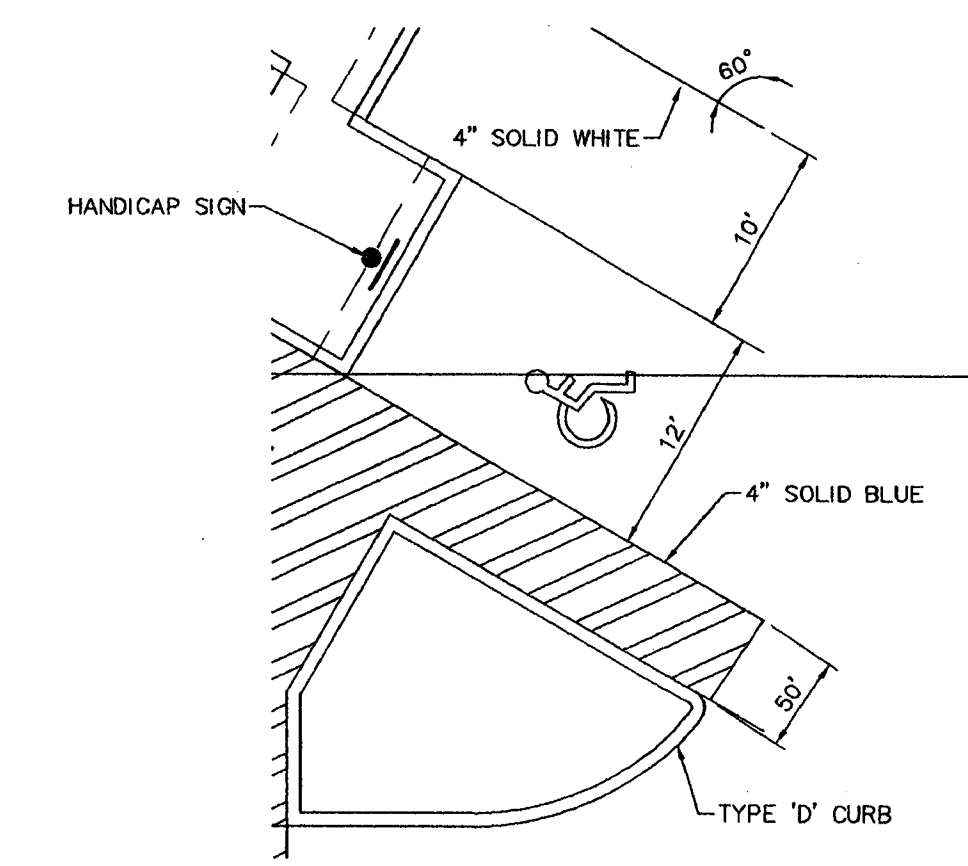
JOB NUMBER
01-2486

SHEET No.
PMS1

SEAL
RECEIVED
 APR 30 2002
 Sales Construction



TYPICAL PARKING DETAIL



TYPICAL ANGLED PARKING DETAIL

- PAVEMENT MARKING AND SIGNING NOTES:**
- ALL ONSITE STRIPING TO BE PAINT UNLESS OTHERWISE NOTED AS (T) FOR THERMOPLAST
 - A MINIMUM OF 3/4" OF ASPHALT SHALL BE INSTALLED AS FINAL LIFT.
 - STOP SIGNS (R1-1) SHALL BE 30"x30".
 - REFER TO B.C.T.E.D. STANDARD DETAIL SHEET, MAY 1989 FOR ADDITIONAL INFORMATION.
 - ALL SIGNS MUST MEET BROWARD COUNTY TRAFFIC ENGINEERING DIVISION STANDARDS AND M.U.T.C.D. AND SHALL BE TRADE MARKED.
 - STREET SIGNS (D3) & STOP SIGNS (R1-1) SHALL BE HIGH INTENSITY.

K:\PROJECTS\01-xxx\01-2486\DWG\2486pms.dwg DATE: Mar 08, 2002 - 11:58am EST

APR 1 2002