

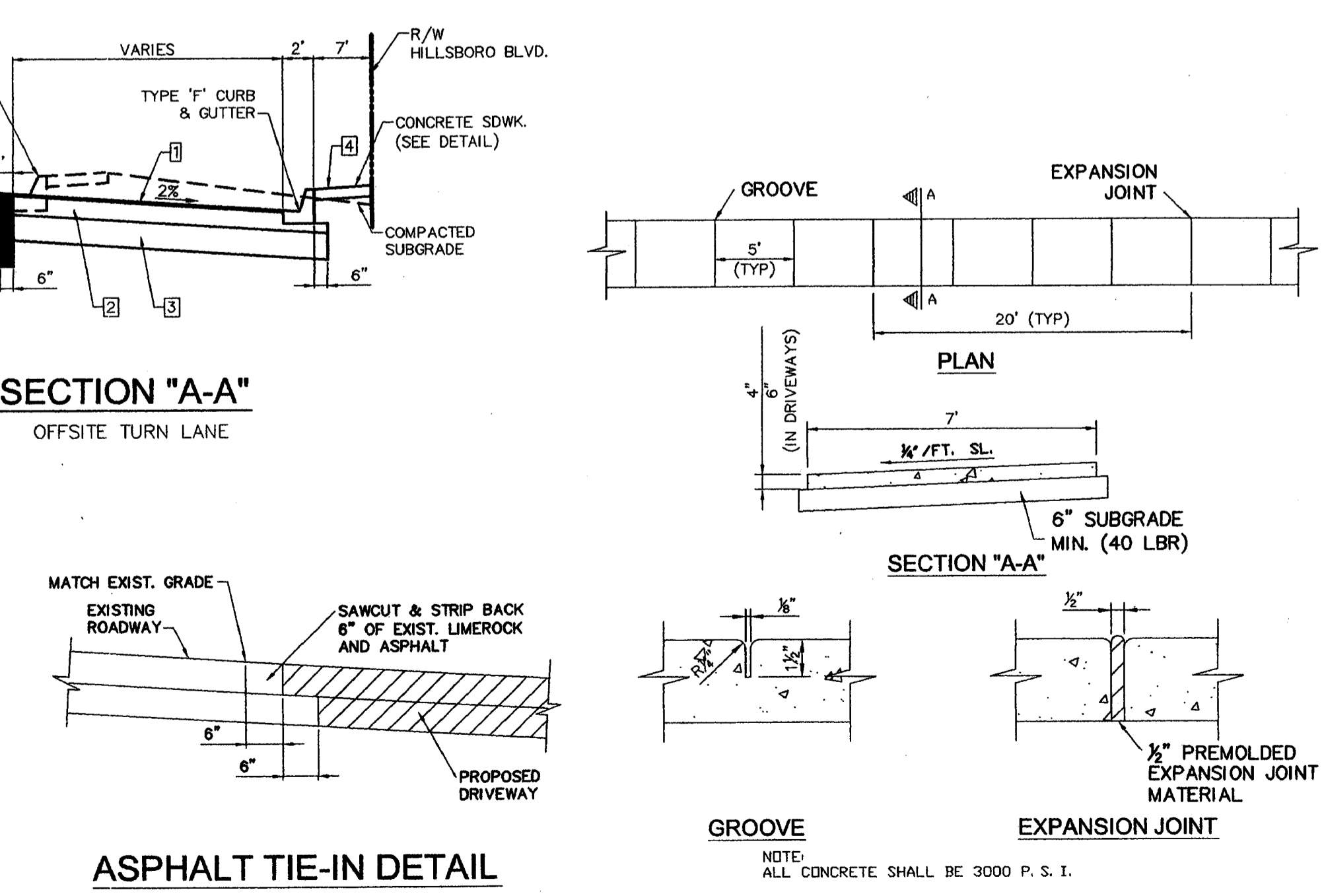
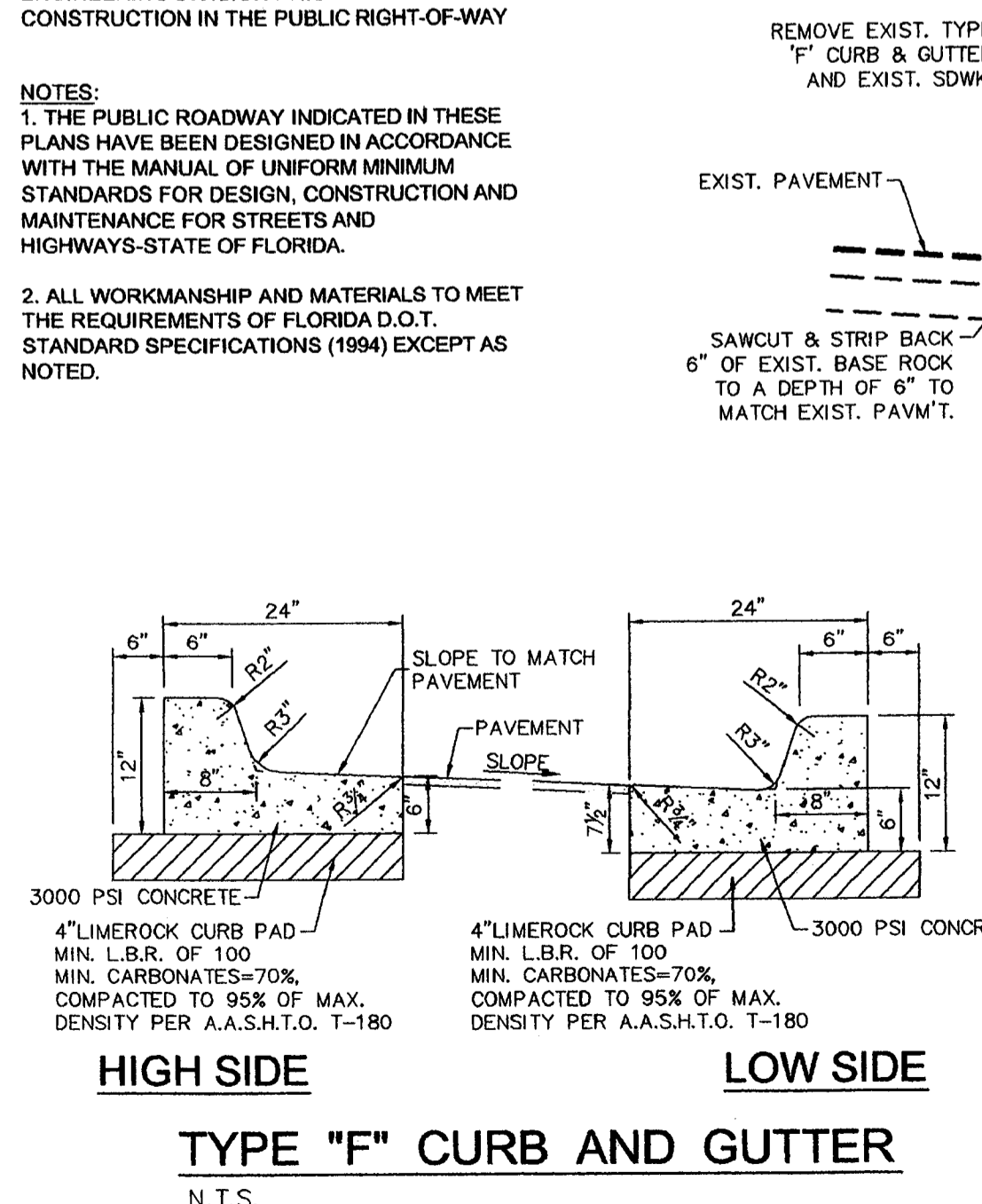
**PERMIT SET**  
MUST BE ON-SITE AT ALL TIMES DURING CONSTRUCTION

**MATERIALS**  
ALL MATERIALS USED AND INSTALLATIONS MADE WITHIN THE PUBLIC RIGHT-OF-WAY OR EASEMENTS SHALL BE IN ACCORDANCE WITH BROWARD COUNTY ENGINEERING DIVISION'S MINIMUM STANDARDS

**NOTICE INSPECTION REQUIRED**  
24 HRS. PRIOR TO COMMENCING ANY WORK IN THE PUBLIC RIGHT-OF-WAY CONTACT THE BROWARD COUNTY ENGINEERING DIVISION AT (954)577-6400 FOR INSPECTION

**NOTE**  
APPROVAL OF THIS PLAN DOES NOT CONSTITUTE A PERMIT FOR CONSTRUCTION. A PERMIT FOR CONSTRUCTION MUST BE OBTAINED FROM THE BROWARD COUNTY ENGINEERING DIVISION PRIOR TO COMMENCING CONSTRUCTION IN THE PUBLIC RIGHT-OF-WAY

**NOTES:**  
1. THE PUBLIC ROADWAY INDICATED IN THESE PLANS HAVE BEEN DESIGNED IN ACCORDANCE WITH THE MANUAL OF UNIFORM MINIMUM STANDARDS FOR DESIGN, CONSTRUCTION AND MAINTENANCE FOR STREETS AND HIGHWAYS-STATE OF FLORIDA.  
2. ALL WORKMANSHIP AND MATERIALS TO MEET THE REQUIREMENTS OF FLORIDA D.O.T. STANDARD SPECIFICATIONS (1994) EXCEPT AS NOTED.



**PAVEMENT NOTES:**

- 3/4" TYPE 1 (MODIFIED TOP COURSE BROWARD COUNTY DESIGN MIX ON 1 1/2" TYPE 5-1 BOTTOM COURSE WITH TACK COAT.
- 12" LIMEROCK BASE DOUBLE COURSE PRIMED AND COMPACTED TO 98% A.A.S.H.T.O. T-99 (C) (TYP).
- ALL ORGANIC AND YIELDING MATERIAL WITH THE LIMITS SHOWN SHALL BE REMOVED AND REPLACED WITH CLEAN FILL. THE SUBBASE SHALL EXTEND 12" BELOW THE BASE COURSE. SHALL HAVE A MINIMUM DRY DENSITY OF 115 P.C.F. AND SHALL BE COMPACTED TO 100% OF MAXIMUM DRY DENSITY PER A.A.S.H.T.O. SPECIFICATION T-99, METHOD "C". MAXIMUM LAYER THICKNESS SHALL BE 4.0.
- PLASTIC / A-8 MATERIALS TO BE REMOVED FROM THE EDGE OF EXISTING PAVEMENT TO R/W LINE.
- ALL WORKMANSHIP AND MATERIALS TO MEET THE REQUIREMENTS OF FLORIDA D.O.T. STANDARD SPECIFICATIONS (1982) EXCEPT AS NOTED.
- CONTRACTOR TO VERIFY DEPTH AND LOCATION OF ALL EXISTING UTILITIES.

**NOTES:**

- ALL SIGNING AND PAVEMENT MARKINGS SHALL BE IN ACCORDANCE WITH THE "MANUAL ON UNIFORM TRAFFIC CONTROL DEVICES FOR STREETS AND HIGHWAYS", LATEST EDITION, AND BROWARD COUNTY TRAFFIC ENGINEERING STANDARDS.
- STOP SIGNS (R1-1) 30"x30" AND STREET SIGNS (D3) SHALL BE HIGH INTENSITY REFLECTIVE MATERIAL.
- ALL SIGNS SHALL BE PLACED AT A HEIGHT OF 7' (HEIGHT IS MEASURED FROM THE BOTTOM OF THE SIGN TO THE EDGE OF NEAREST PAVEMENT). THE SIGN POST SHALL BE PLACED A MINIMUM OF 6" TO A MAXIMUM OF 12" FROM ADJACENT PAVEMENT, AND A MINIMUM OF 6" FROM THE CROSS TRAFFIC PAVEMENT.
- ALL PAVEMENT MARKINGS IN RIGHT-OF-WAY TO BE REFLECTORIZED THERMOPLASTIC.
- ALL MATERIALS AND WORKMANSHIP WITHIN THE NOB HILL ROAD (100TH AVE.) RIGHT-OF-WAY SHALL BE IN ACCORDANCE WITH BROWARD COUNTY MINIMUM STANDARDS.
- THE PUBLIC ROADWAYS INDICATED IN THESE PLANS HAVE BEEN DESIGNED IN ACCORDANCE WITH THE MANUAL OF UNIFORM MINIMUM STANDARDS FOR DESIGN, CONSTRUCTION MAINTENANCE FOR STREETS AND HIGHWAYS - STATE OF FLORIDA.
- DESIGN SPEED FOR LYONS ROAD IS 45 M.P.H.
- PAVEMENT MARKINGS ON PAVERS SHALL BE 5730/ 5731 TAPE 3M OR EQUAL APPLIED WITH CONTACT CEMENT OR THERMOPLASTIC APPLIED TO A CONCRETE RIBBON SEALED WITH F.D.O.T. APPROVED SEALER.
- RAISED PAVEMENT MARKERS SHALL BE CLASS B-911 OR EQUAL.
- RAISED PAVEMENT MARKERS SHALL BE APPLIED WITH EPOXY OR BITUMINUS.
- FOR THE LOCATION OF BROWARD COUNTY TRAFFIC ENGINEERING DIVISION FACILITIES CONTACT JEROME PONDER 954-484-9600 EXT. 264- 7 TO 10 DAYS PRIOR TO CONSTRUCTION.

**PAVING & DRAINAGE LEGEND**

R.E.	RIM ELEVATION
G.E.	GRATE ELEVATION
I.E.	INVERT ELEVATION
→	DIRECTION OF FLOW
150' @ 0.5%	PAVEMENT SLOPE
P.R.B.	POLLUTION RETARDANT BASIN
F.F. = 10.00	FINISHED FLOOR ELEVATION
---	EXISTING OR FUTURE UTILITIES
○	STRUCTURE DESIGNATION
100 LF / 15"	LENGTH, SIZE OF STORM DRAIN
---	EXISTING GRADE
---	PROPOSED GRADE
---	D.I.P. PIPE

**BROWARD COUNTY PUBLIC WORKS DEPARTMENT**  
**ENGINEERING DIVISION**

PLAN CONSISTANT WITH PLAT REQUIREMENTS

PUBLIC RIGHT OF WAY APPROVAL FOR PAVING, GRADING AND DRAINAGE

DATE: APR 17 2002

**Sun-Tech Engineering, Inc.**  
Engineers - Planners - Surveyors  
TECH  
1600 West Oakland Park Boulevard  
Ft. Lauderdale, FL 33311  
E-Mail: suntech@suntecheengineering.com  
Phone: (954)773-3123  
Fax: (954)773-3114

NO.	DATE	DESCRIPTION

**WESTCREEK COMMONS**  
FLORIDA  
OFFSITE TURN LANE  
LYONS ROAD  
COCONUT CREEK

DATE: NOV. 2001  
SCALE: 1"=30'  
DESIGNED BY: M.G.  
DRAWN BY: M.A.S.  
JOB NUMBER: 01-2486  
SHEET No.: OS-2  
SEAL