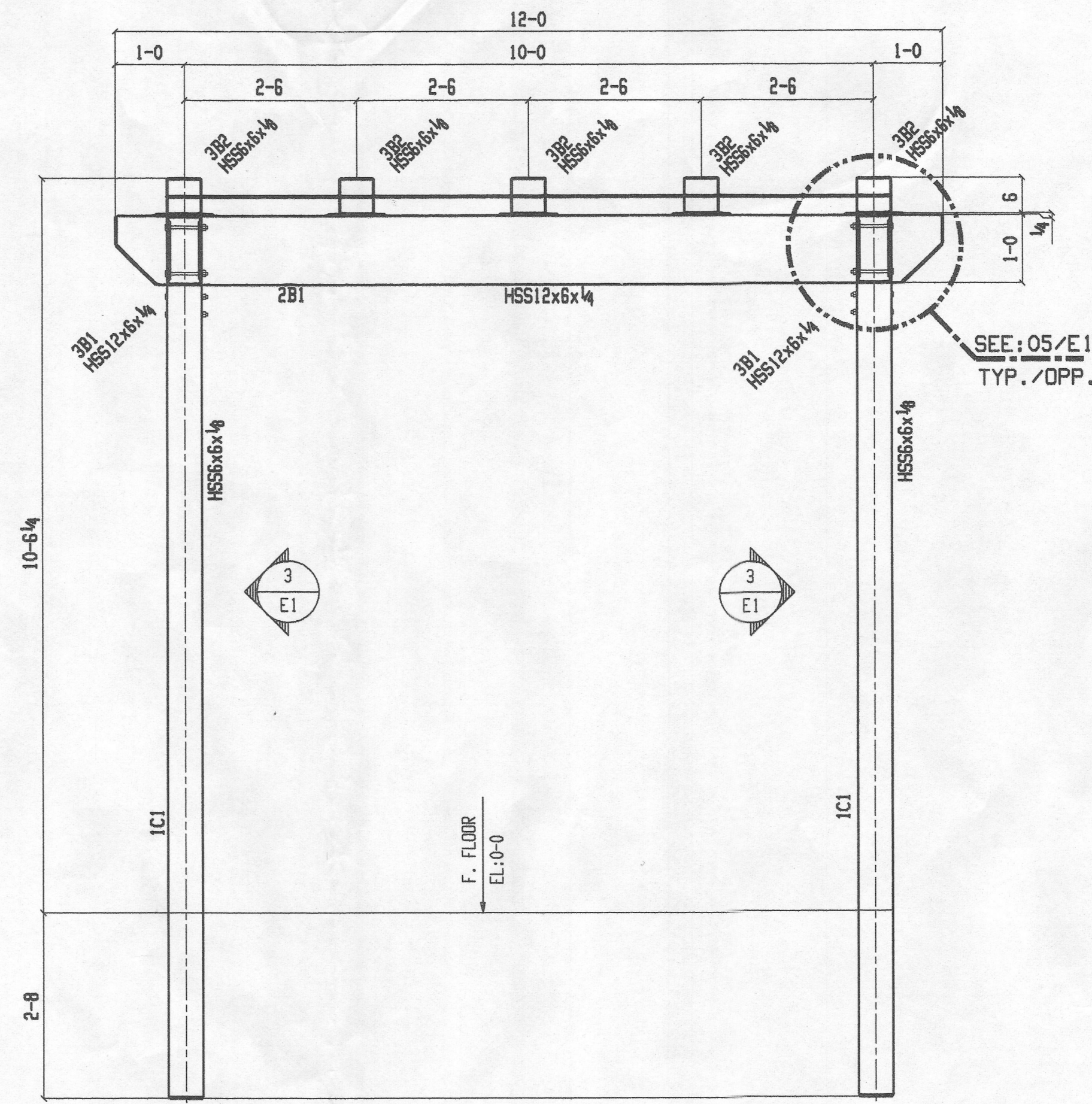
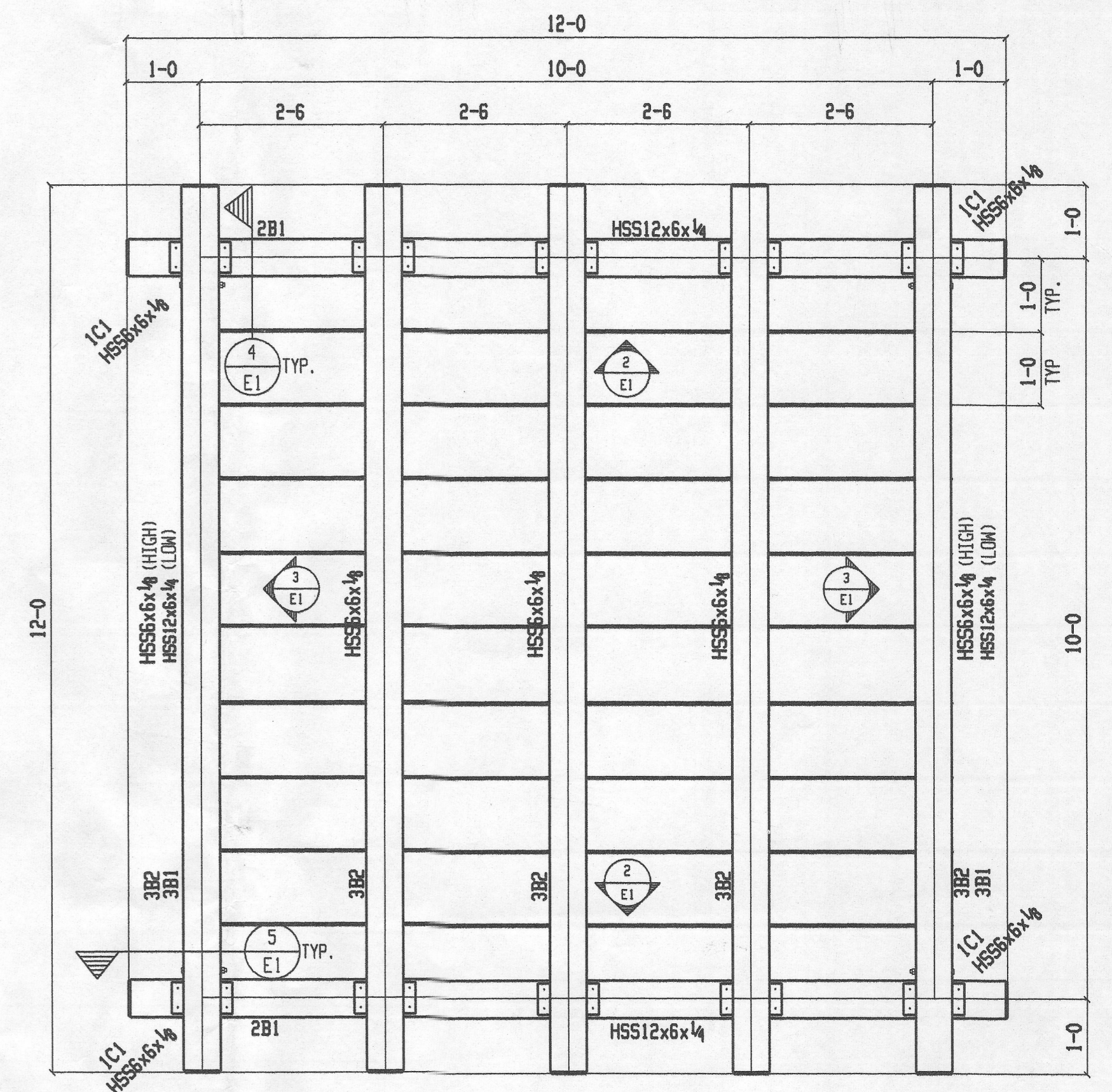


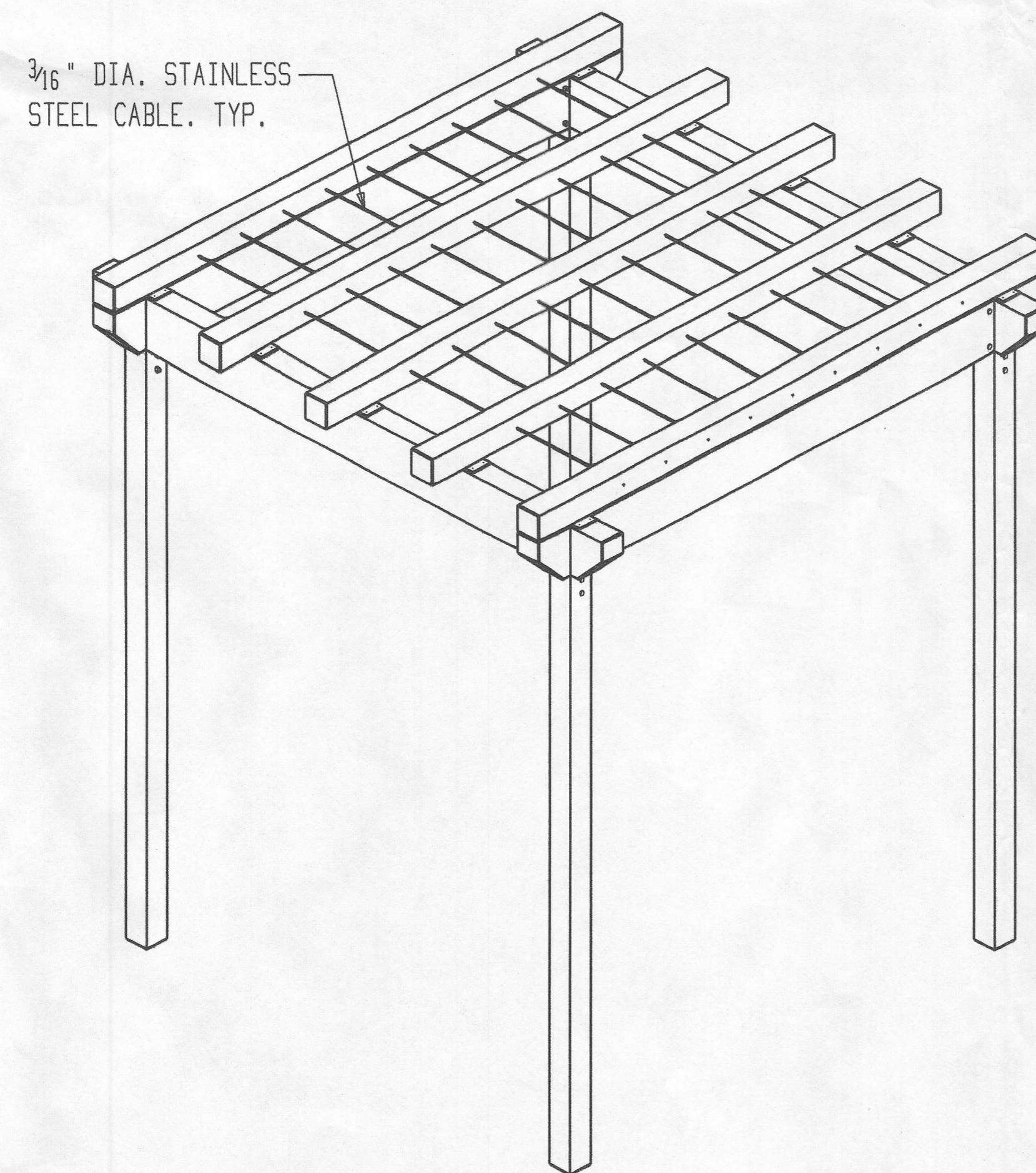
3 FACIA BEAM ELEVA. VIEW  
E1 (REF: B/SHT.#7)SIM.



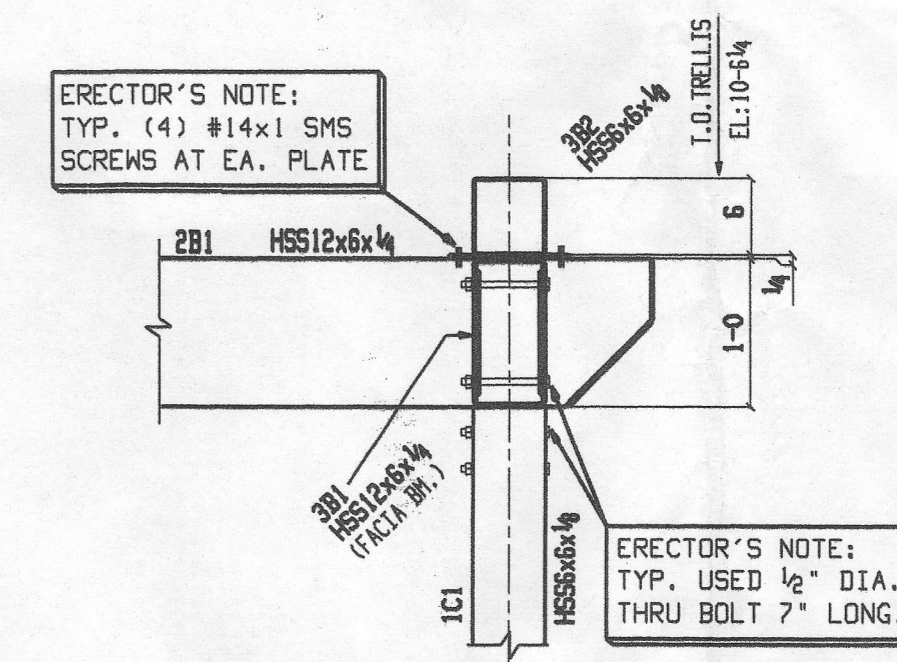
2 SUPP. BEAM ELEVA. VIEW  
E1 (REF: A/SHT.#7)SIM.



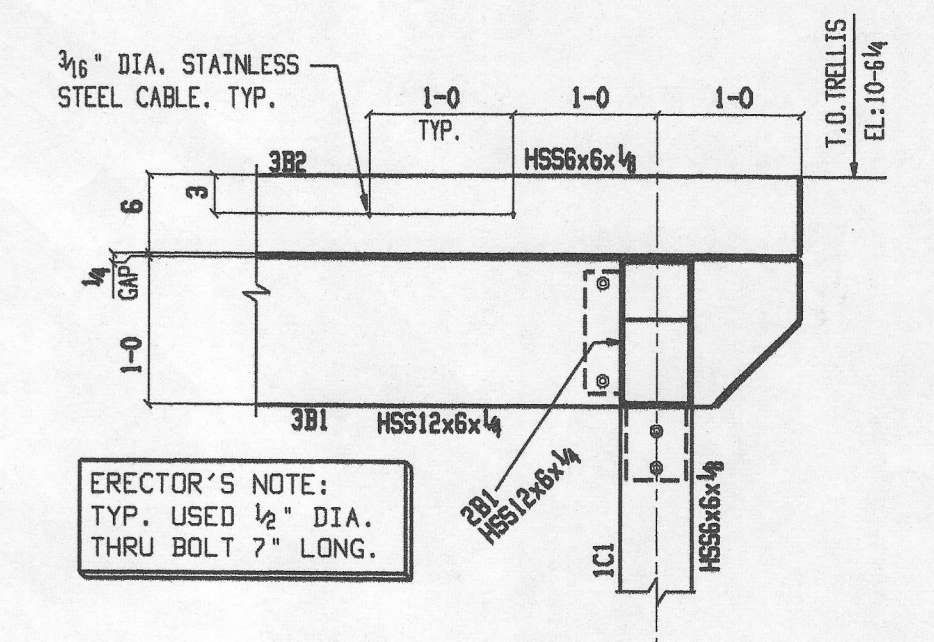
1 TRELLIS FRAMING PLAN  
E1 TOP OF TRELLIS ELEVATION @ 10'-6 1/4 (U.O.N.)  
(REF: SHT.#7)SIM.



ISO-VIEW



5 SECTION  
E1 TYP. FACIA BM. FRAMING REF: N/A



4 SECTION  
E1 TYP. FRAMING REF: 01/SHT.07

ERECTOR NOTE: ERECT EACH BEAM OR JOIST WITH PIECE MARK LOCATED AS SHOWN ON PLAN WITH PIECE MARK IN UPRIGHT POSITION AS READ FROM BELOW.

| NO. | DATE     | BY   | DESCRIPTION     |
|-----|----------|------|-----------------|
| 1   | 12.29.13 | R.T. | PER DESIGN INC. |

**J.T. Welding**

THESE DRAWINGS ARE THE PROPERTY OF J.T. WELDING AND ARE NOT TO BE REUSED OR REPRODUCED WITHOUT WRITTEN PERMISSION.

|            |                        |
|------------|------------------------|
| PROJECT:   | HOBBY LOBBY            |
| LOCATION:  | DAVIE, FL              |
| CUSTOMER:  | CRAWFORD CONSTRUCTION  |
| ENGINEER:  | TS ENGINEERING, Inc.   |
| ARCHITECT: | SGA Design Group, P.C. |

|               |                         |        |
|---------------|-------------------------|--------|
| FOR APPROVAL: | 12.29.2013              | FINAL: |
| TITLE:        | STOREFRONT FRAMING PLAN |        |
| DR. BY:       | J. T. WELDING           | DATE:  |
| DATE:         | 12.29.13                |        |

|                 |      |
|-----------------|------|
| FILE NUMBER:    | 1401 |
| DRAWING NUMBER: | E1   |

*Norman L. Brown III*  
Bull-Gator Engineering  
Norman L. Brown III, PE  
Florida Certificate #28272  
Florida License #56822  
(954) 404-8807 (954) 483-0056  
01/07/2014