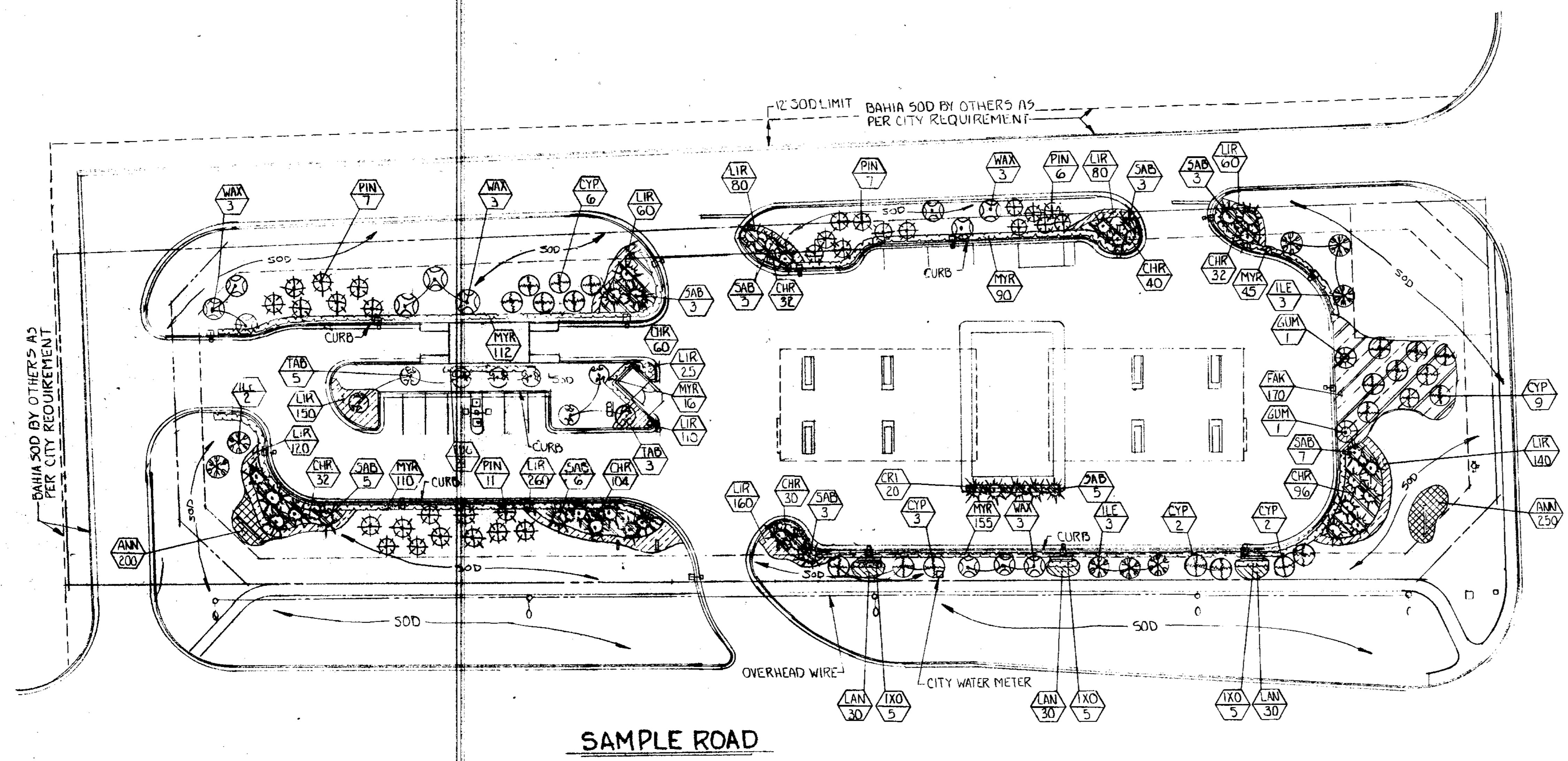


REVISIONS	
9-21-92 REDRAWN	20

Project: **KENNETH E. LONES**
LANDSCAPE ARCHITECT
 10360 NE 120 ST.
 COCKECHOBER, FL

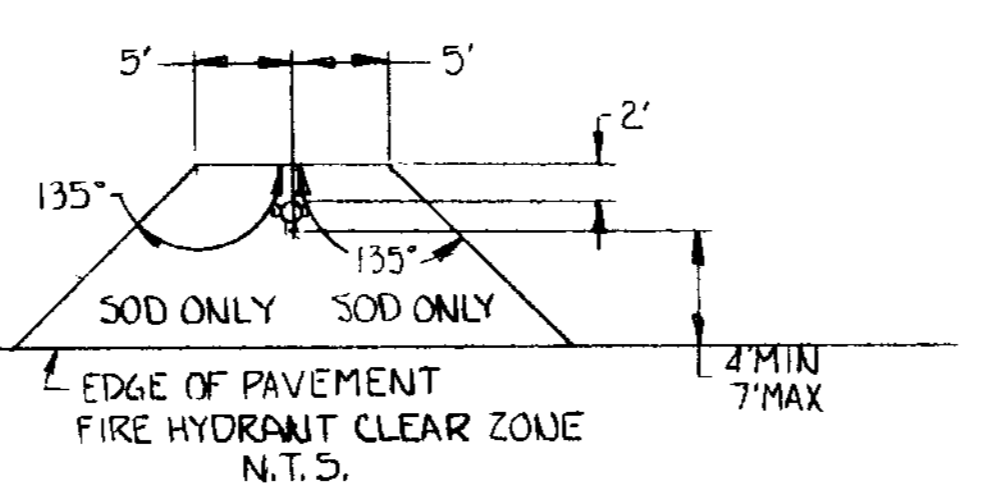
Project: **AMERICAN EQUITY CORP.**
GAS FACILITY & CONVENIENCE STORE
 SAMPLE & LYONS ROADS
 COCONUT CREEK, FLA.

DATE	8-6-92
SCALE	1"=30'-0"
JOB NO	92-08-2513
SHEET	LI
OF 3 SHEETS	



SAMPLE ROAD

LYONS ROAD



LANDSCAPE LEGEND						
CODE	AMOUNT	BOTANICAL NAME/COMMON NAME	SIZE	REMARKS	NATIVE	DROUGHT TOLERANT
CYP	22	TAXODIUM DISTICHUM/BALD CYPRESS	12"HT x 5"SPD	FG	Y	VERY
ILE	8	ILEX CASSINE/DAHOON HOLLY	12"HT x 5"SPD	FG	Y	VERY
PIN	31	PINUS ELLIOTTII/SLASH PINE	12"HT x 5"SPD	FG	Y	VERY
TAB	8	TABEBUIA ARGENTEA/YELLOW TRUMPET	12"HT x 5"SPD	FG	N	VERY
WAX	12	MYRICA CERIFERA/WAX MYRTLE	12"HT x 5"SPD	FG	Y	VERY
SAB	38	SABAL PALMETTO/CABBAGE PALM	12"-14"-18" C.T.	FG	Y	VERY
CHR	426	CHRYSOBALANUS ICACO/COCOPLUM	24"HT x 18"SPD 36AL	30"O.C.	Y	MED
EUG	21	EUGENIA UNIFLORA/SURINAM CHERRY	24"HT x 18"SPD 36AL	30"O.C.	Y	VERY
FAK	170	TRIPACUM DACTYLOIDES/FAKAHATCHEE GRASS	36"HT x 24"SPD 36AL	36"O.C.	Y	VERY
IXO	15	IXORA MAUI/RED IXORA	18"HT x 18"SPD 36AL	24"O.C.	N	MED
MYR	328	MYRICA CERIFERA/WAX MYRTLE	24"HT x 18"SPD 36AL	30"O.C.	Y	VERY
LAN	90	LANTANA CAMARA/YELLOW LANTANA	8"HT x 18"SPD 6AL	12"O.C.	Y	VERY
LIR	1245	LIRIOPE MUSCARI/EVERGREEN GIANT	12"HT x 18"SPD 2AL	18"O.C.	N	VERY
CRI	20	CRINUM/CRINUM LILY	24"HT x 18"SPD 36AL	24"O.C.	N	VERY
ANN	450	ANNUAL FLOWERS	4" POTS	LA. SELECT	N	MED.
GUM	2	BURSERA SIMARUBA/GUMBO LIMBO	12"HT x 5"SPD	FG	Y	VERY

CODE CALCULATIONS

CODE #	REQUIREMENT CALCULATION	REQUIRED	PROVIDED
13-443(A)	1 TREE & 4 SHRUBS - CORNER PLOT	1 TREE & 4 SHRUBS	1 TREE & 4 SHRUBS
13-443(B)	1 TREE & 5 SHRUBS / 40 L.F.	5 TREES & 25 SHRUBS	5 TREES & 25 SHRUBS
13-443(10A)	PERIMETER 1 TREE/40 L.F. + 3' HEDGE	11 TREES	11 TREES
13-443(12A)	PARKING 1 TREE/10 SPACES	1 TREE	1 TREE
13-433(4)	1 TREE/5 SHRUBS PER 1000 SQ. FT. GREEN AREA = 37,522 SQ. FT. = 37	37 TREES 185 SHRUBS	52 TREES 1,233 SHRUBS
13-443(9A)	MIN 10' LANDSCAPE STRIP (WIDTH) 1 TREE/40 LIN. FT. 1190 LIN. FT. + 40' x 30' HEDGE	30 TREES	30 TREES
13-444-C1	MIN 10% TREE-NATIVE 121 TREES = 13	13 NATIVE	(13 NATIVE) 93.4%
13-444 C2, B, C, E	MIN TREE: 12" HT. x 5" SPD - 2 1/2 CAL 4 1/2 DBH PALMS: 5" C.T. = 1 TREE SHRUBS: SPREADING: 12" HT. x 18" SPD UPRIGHT: 24" HT. x 18" SPD HEDGES: 24" HT. x 18" SPD (3' AFTER 2 YRS)		PROVIDED
13-443(14A)	SEE SPECIFICATION SHEET L-3		
13-443(11)	SEE SPECIFICATION SHEET L-3		
13-443(13A)	ROW 1 TREE/40 L.F.	21 TREES	21 TREES
TOTAL		106 TREES	121 TREES

PALM TREES = 31.4% OF TOTAL
 IRRIGATION SOURCE - CITY WATER METER

- NOTES:
- ALL TREES AT SIGHT DISTANCE CONCERNS MUST HAVE 6 FEET (6') CLEAR TRUNK. ALL HEDGES & PLANT MATERIAL TO BE INSTALLED & MAINTAINED NOT TO EXCEED 30' AT SIGHT DISTANCE CONCERNS.
 - SITE TO BE LANDSCAPED & IRRIGATED TO EDGE OF ROADWAY
 - BUYING OR STAKING METHODS THAT PROVIDE ATTACHMENTS (NAILS, SCREWS, ETC) THROUGH OUTSIDE LAYER OF TRUNK WILL BE IMMEDIATELY REJECTED. REPLACEMENT MUST BE DONE WITH LANDSCAPE INSPECTOR ON SITE.
 - SABAL FROND REMOVAL SHOULD BE ACHIEVED PRIOR TO HARVEST & TRANSPORTATION TO ELIMINATE SHOCK & HEART FRACTURE IN HANDLING.
 - ALL MECHANICAL EQUIPMENT, AIR CONDITIONING, IRRIGATION PUMPS, FPL TRANSFORMERS, ETC, MUST BE SCREENED ON THREE (3) SIDES BY LANDSCAPE SHRUBS.
 - BURLAP MATERIAL, WIRE CAGES, PLASTIC STRAPS, ETC, MUST BE CUT & REMOVED FROM TOP HALF (1/2) OF ROOT BALL.
 - TREES GROWN IN GROW BAGS OR GROW-BAG TYPE MATERIAL MUST HAVE THE GROW BAG REMOVED ENTIRELY PRIOR TO PLANTING THE TREE.
 - ALL PLANTING MATERIALS SHALL MEET OR EXCEED FLORIDA GRADE #1 AS SPECIFIED IN "GRADES & STANDARDS FOR NURSERY PLANTS - PART II, PALMS & TREES, CURRENT EDITION.
 - ALL LANDSCAPE & SPECIFICATIONS SHALL MEET OR EXCEED THE MINIMUM REQUIREMENTS AS SHOWN IN THE CITY OF COCONUT CREEK LAND DEVELOPMENT CODE.
 - ALL TREES TO HAVE 2 1/2" CALIPER WHEN MEASURED AT 4 1/2" DBH.