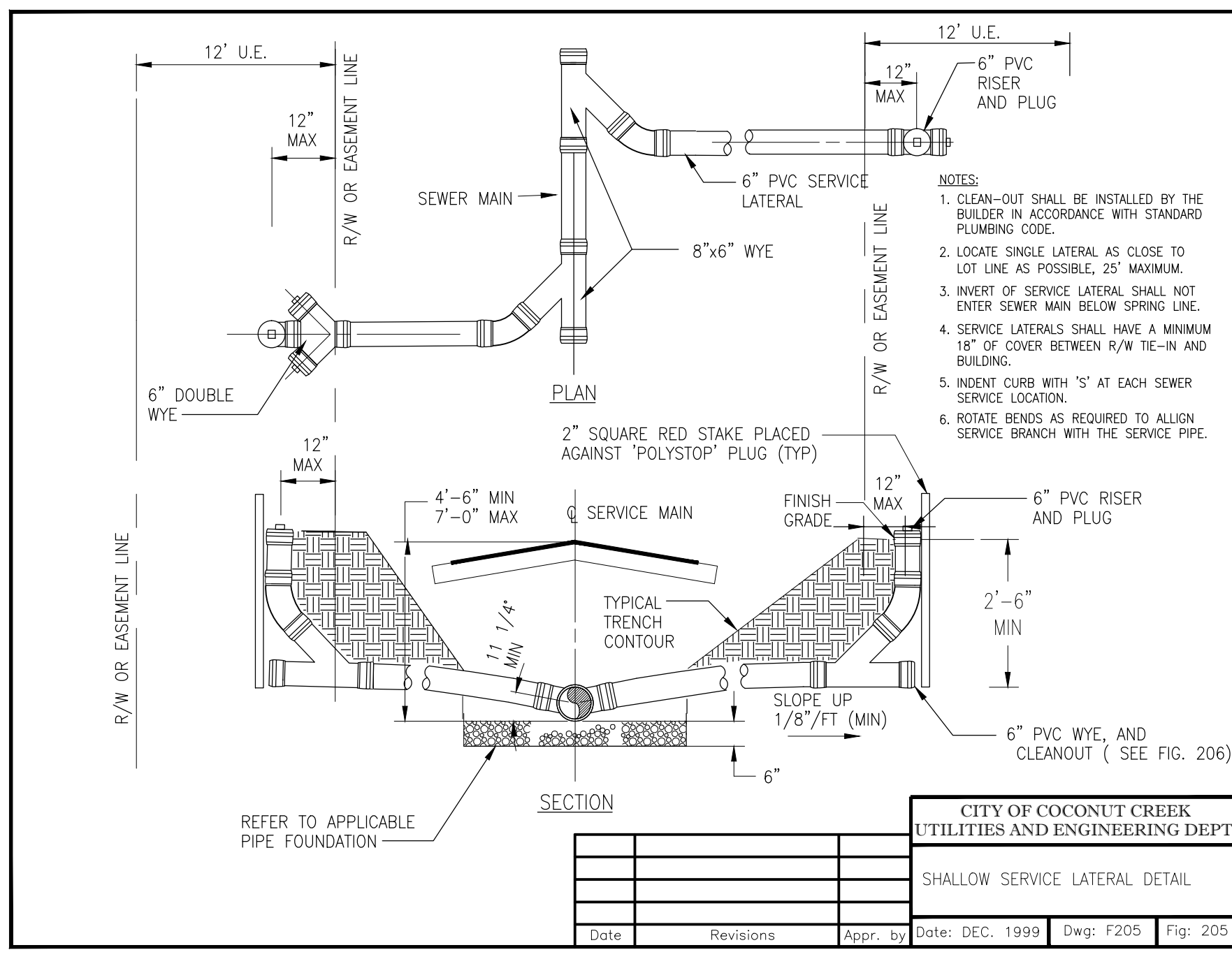


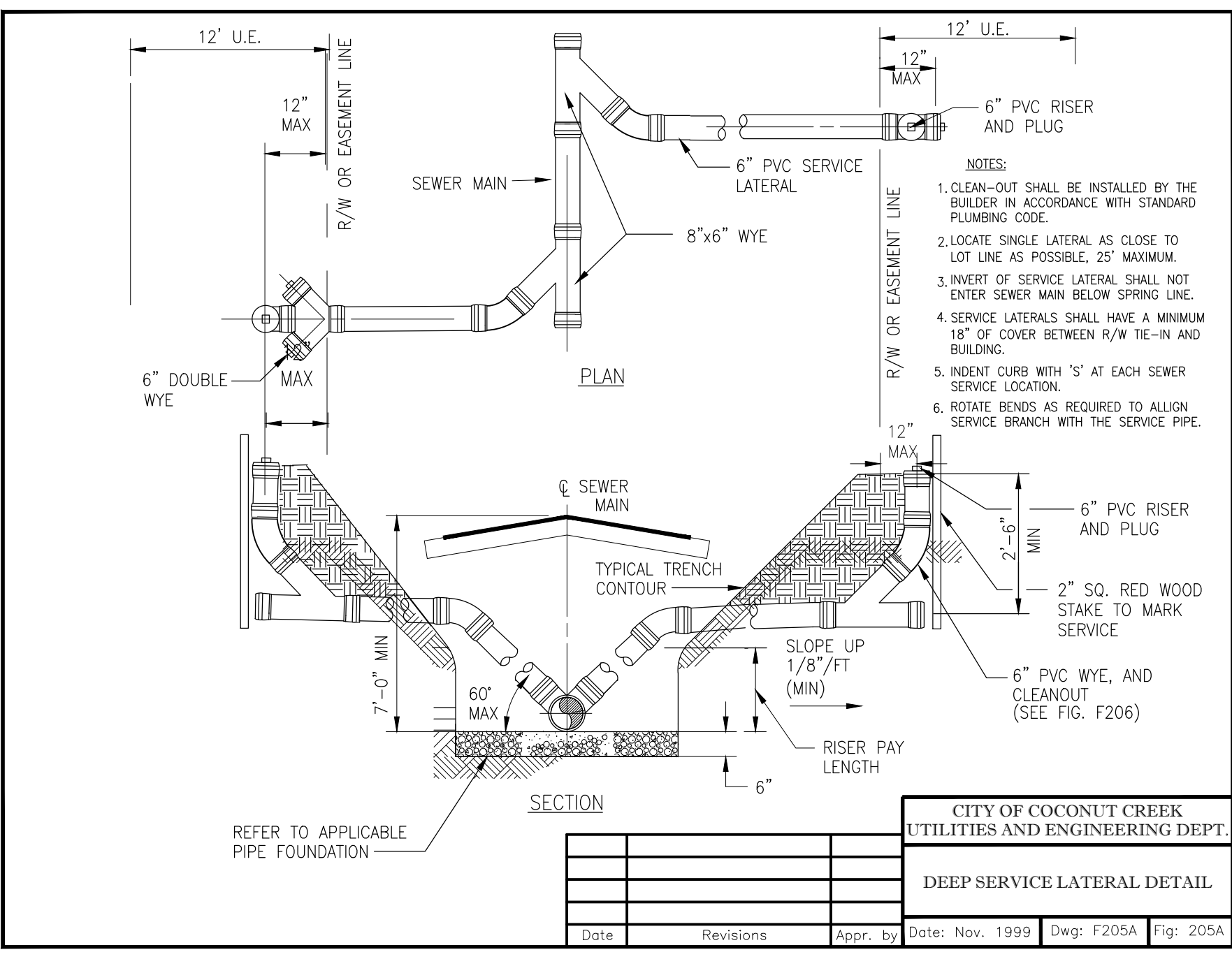
CITY OF COCONUT CREEK
UTILITIES AND ENGINEERING DEPARTMENT
SANITARY MANHOLE COVER

Date	Revisions	Appr. by	Date	Dwg.	Fig.



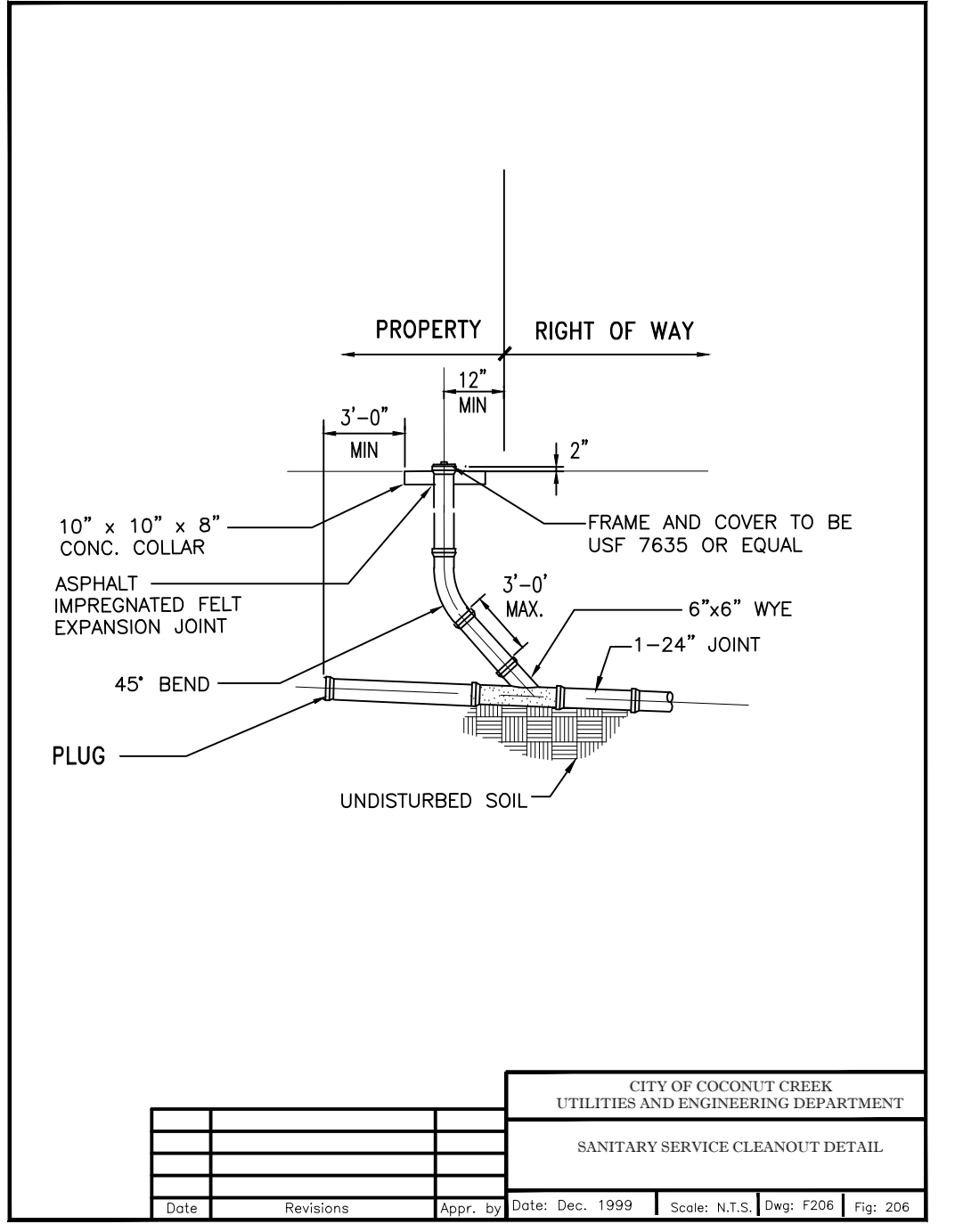
CITY OF COCONUT CREEK
UTILITIES AND ENGINEERING DEPT.
SHALLOW SERVICE LATERAL DETAIL

Date	Revisions	Appr. by	Date	Dwg.	Fig.



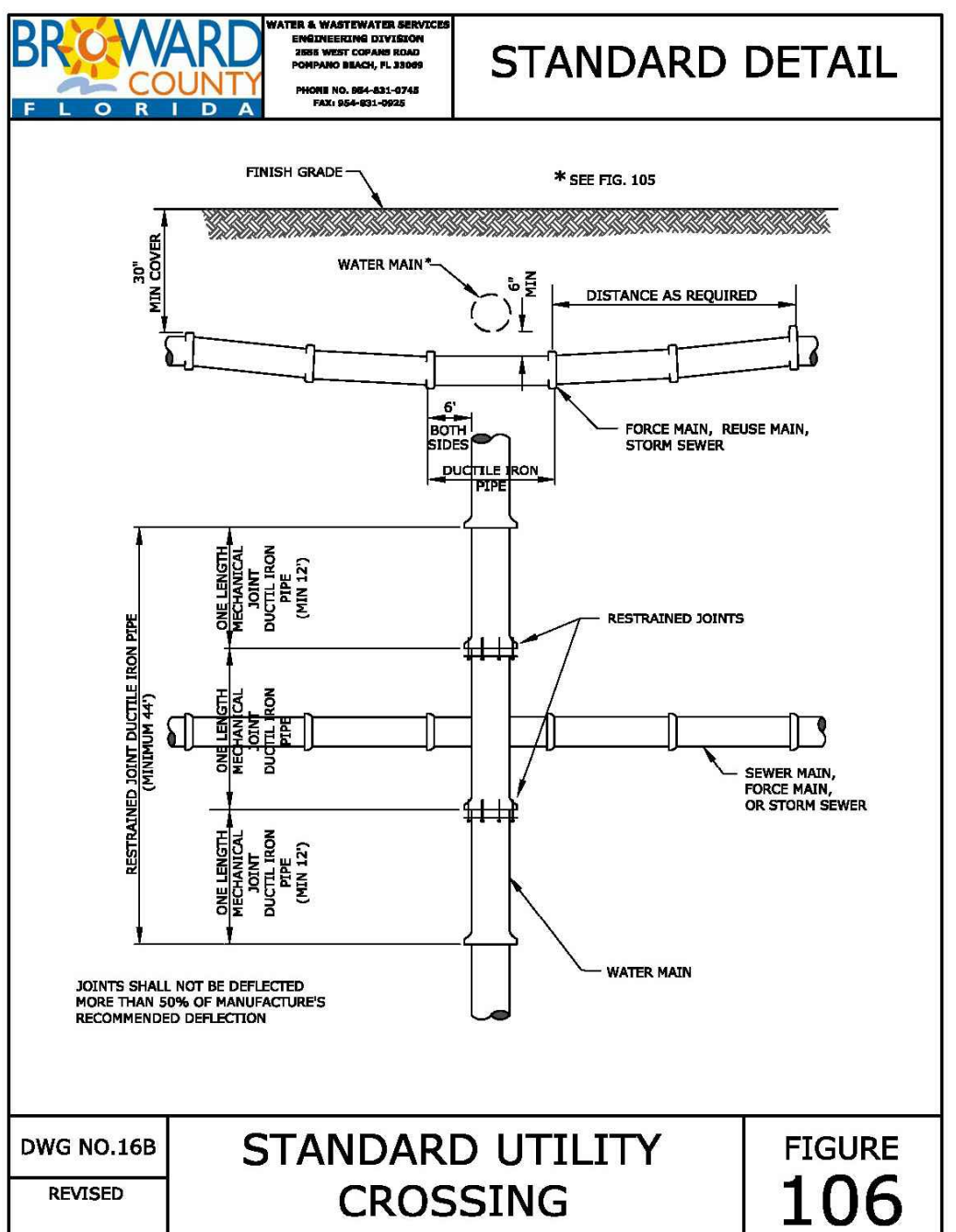
CITY OF COCONUT CREEK
UTILITIES AND ENGINEERING DEPT.
DEEP SERVICE LATERAL DETAIL

Date	Revisions	Appr. by	Date	Dwg.	Fig.



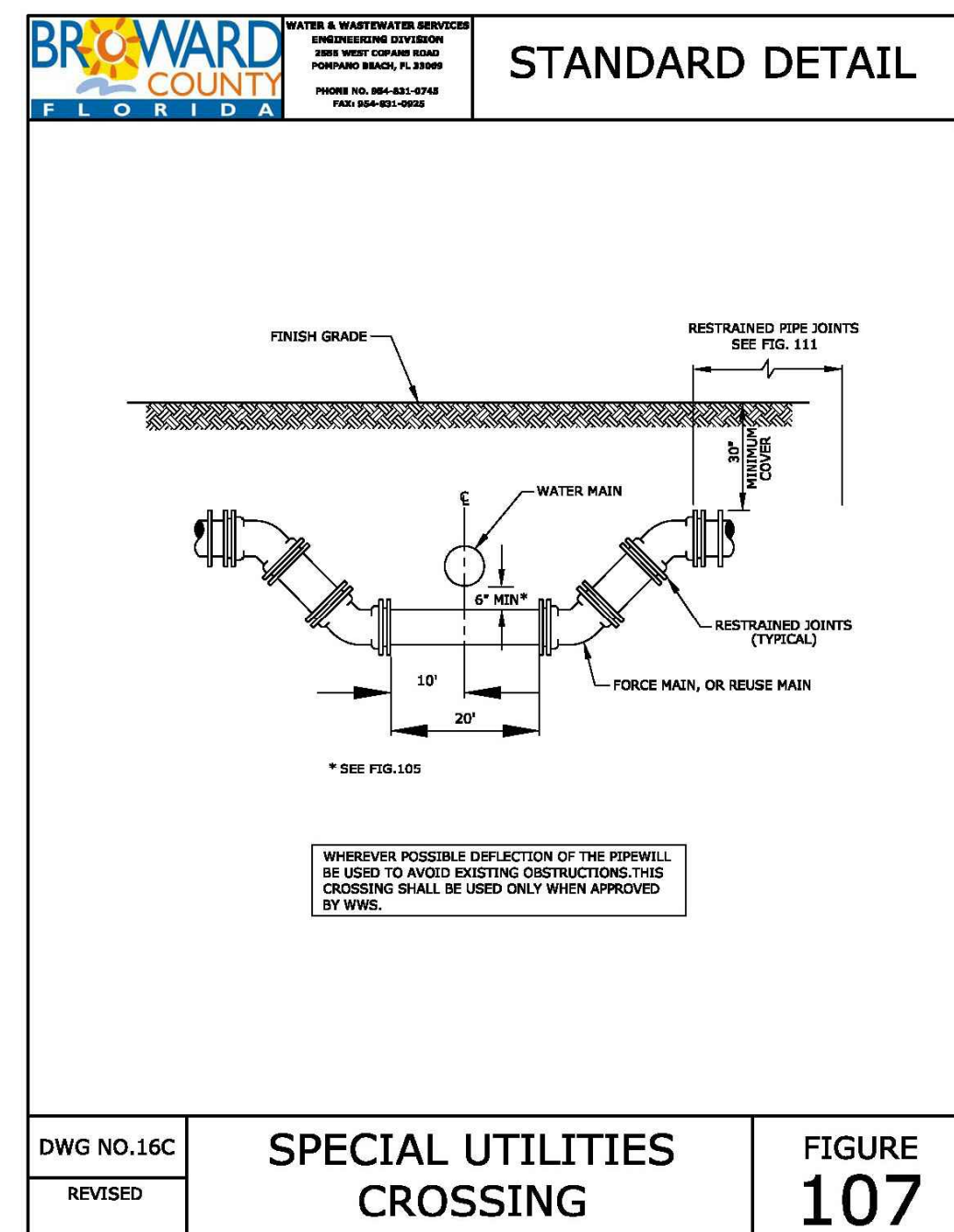
CITY OF COCONUT CREEK
UTILITIES AND ENGINEERING DEPARTMENT
SANITARY SERVICE CLEANOUT DETAIL

Date	Revisions	Appr. by	Date	Dwg.	Fig.



STANDARD UTILITY CROSSING
FIGURE 106

DWG NO.16B	REVISED



SPECIAL UTILITIES CROSSING
FIGURE 107

DWG NO.16C	REVISED

THOMAS
ENGINEERING GROUP

CIVIL ENGINEERS - PROJECT MANAGERS - LAND PLANNING - LANDSCAPE ARCHITECTS

1000 CORPORATE DR. FORT LAUDERDALE, FL 33334
4850 W. KENNEDY BLVD. FT. LAUDERDALE, FL 33309
JUPITER, FL 33489
P: 954-202-7000 F: 954-202-7003
WWW.THOMASENGINEERINGGROUP.COM

REVISIONS

REV.	DATE	COMMENT	BY

811 KNOW WHAT'S BELOW
ALWAYS CALL 811 BEFORE YOU DIG

It's fast. It's free. It's the law.

www.callsunshine.com

SITE ENTITLEMENTS

PROJECT No.:	F140188
DRAWN BY:	AAM
CHECKED BY:	MAT
DATE:	07/28/15 (TYP.)
CAD I.D.:	F140188 - UTILITY DETAILS

PROJECT:

**SHELL / DAILY'S
C-STORE No. 1810**

FOR

**FIRST COAST
ENERGY**

CITY OF COCONUT CREEK
FLORIDA

THOMAS
ENGINEERING GROUP

RADICE III
1000 CORPORATE DRIVE, SUITE 250
FORT LAUDERDALE, FL 33334
PH: (954) 202-7000
FX: (954) 202-7070
www.ThomasEngineeringGroup.com

MICHAEL A. TROXELL

PROFESSIONAL ENGINEER
June 6, 2017
FLORIDA LICENSE No. 55272
FLORIDA BUSINESS CERT. OF AUTH. No. 27528

SHEET TITLE:
**WATER, SEWER
& UTILITIES
DETAILS**

SHEET NUMBER:
C-10