



Lightolier LED retrofit downlight provides an easy and quick downlight solution without the traditional frame and reflector. Perfect for installation in existing ceilings or new construction with the benefits of energy saving LED technology.

**TYPE (A) -
AT COLONNADE
SOFFIT (NO NEED
FOR DARK SKY
RATING)**

Project: _____
 Location: _____
 Cat.No: _____
 Type: _____
 Lamps: _____ Qty: _____
 Notes: _____

Fixture

example: RD4R089301W

Family	Size	Lumens	CRI	CCT	Voltage	Finish
RD	4R 4-inch Round	08 900 lm	9 90CRI	30 3000K	1 120V	W White (matte)
	5R 5/6-inch Round	12 1400 lm				

Features

- Flange:** One piece self flange spun aluminum. White painted with baffle.
- Lens:** High transmittance lens allowing for smooth, comfortable light pattern.
- Power supply:** Integral class 2 driver. (see Electrical section for specifications)
- Friction spring:** Stainless steel.
- Lifetime:** L70 at 42,000 hours and backed with a 5-year warranty (see Philips.com/warranties for details).
- LED board:** Light emitted source.
- Power connection:** Trim features quick connect plug installed as standard. Trim ships with a medium base socket adapter whip for installation into incandescent housings with medium base sockets.

Electrical

Electronic power supply: RoHS compliant. Class 2 power unit for use in a dry and damp locations.

Dimming: Intended for ELV/TRIAC (120V) dimming. For more details, please see LED-DIM-DL spec sheet.

Electrical specs	Dimming	Nominal Lumens	Input volts	Input freq.	Input current	Input Power	THD Factor	Power Factor	Minimum Operating Temp.	Maximum Operating Temp.
RD4R	ELV/TRIAC	900lm	120V	60Hz	114A	13W	<35%	>0.9	-20°C	40°C
RD5R	ELV/TRIAC	1400lm	120V	60Hz	161A	18.5W	<30%	>0.9	-20°C	40°C

Labels

cULus classified.
 Title 24 (JA8-2016).
 ENERGY STAR®.
 Wet Location.
 IC rated.



RD Retrofit Downlight

Round 4" & 5/6" Apertures

Compatibility

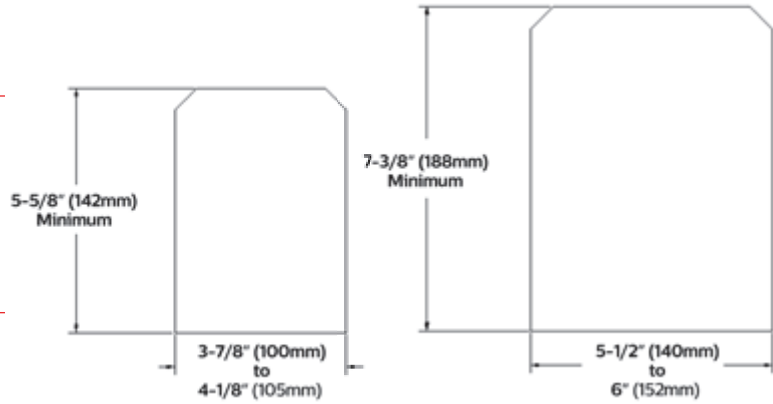
Installs into IC or Non-IC rough in sections with cylindrical recessed metal housings.

RD4R series

Manufacturer	Model
Philips	CP4RN
	CP4RR
	FDIC4V50
	P4
	P4R
	P4ASIC
	P4GU
	P4RGU
	R4
	RR4
	R4ASICG
Halo	H991CAT
	H99T
	H99RT
Seagull	1179
	1105
All-Pro	E1400ATSB

RD5R series

Manufacturer	Model	
Philips	CP6RN 1104IC	
	CP6RR 1004IC	
	CR1NBQP 1004ICN	
	QL6NBQP 1004ICNQ	
	P6GU 1004ICNS	
	P6RGU 1004ICQ	
	PR75ASIC 1004ICN	
	PRR75ICX	
	FD2IC6V90	
	Halo	H7T,
		H7RT,
H7ICAT,		
H7RICAT		
Lithonia	L7X	
Juno	IC22	
Progress	P87-A1	

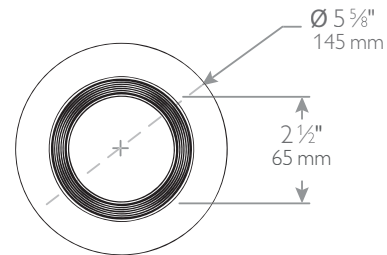
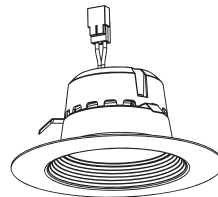
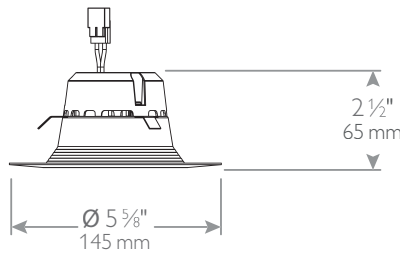


RD4R Series, minimum 3-7/8" (100mm) to maximum 4-1/8" (105mm) diameter and 5-5/8" (142mm) height

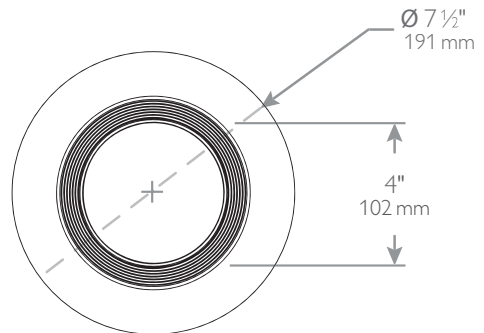
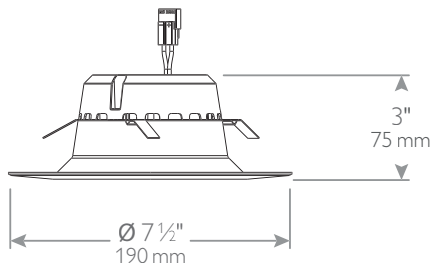
RD5R Series, minimum 5-1/2" (140mm) to maximum 6" (152mm) diameter and 7-3/8" (188mm) height

Dimensions

Retrofit downlight 4"



Retrofit downlight 5/6"

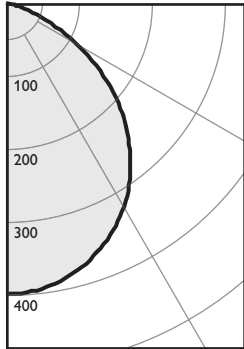


RD Retrofit Downlight

Round 4" & 5/6" Apertures

4-inch, 12W, 76.4lm/W

Candela Curve



Angle	Mean CP	Lumens
0	397	
5	395	37
10	388	
15	377	106
20	361	
25	342	158
30	320	
35	293	184
40	261	
45	227	181
50	190	
55	150	145
60	108	
65	67	82
70	32	
75	11	21
80	5	
85	1	3
90	0	

Single unit data

Height to Lighted Plane	Initial center beam foot-candles	Beam dia. (ft)*
5'	16	6.0'
6'	11	7.2'
7'	8	8.4'
8'	6	9.6'
9'	5	10.8'

* Beam diameter is where foot-candles drop to 50% of maximum.

Multiple unit data - RCR 2

Spacing on center	Initial center beam foot-candles	Watts per sq.ft.
5'	38.3	0.53
6'	25.2	0.35
7'	18.0	0.25
8'	15.0	0.21
9'	12.0	0.17

38'x38'x10' Room, Workplane 2.5' above floor, 80/50/20% Reflectances

Coefficients of utilization

Ceiling	80%				70%		50%		30%		0%	
	70	50	30	10	50	10	50	10	50	10	0	
RCR	Zonal cavity method - Effective floor reflectance = 20%											
Room Cavity Ratio	0	119	119	119	119	116	116	111	111	106	106	100
	1	111	107	103	100	104	98	100	95	96	92	87
	2	102	95	89	84	93	83	89	81	86	79	75
	3	94	84	77	71	83	70	80	69	77	68	65
	4	86	75	67	61	74	61	71	60	69	59	56
	5	79	68	59	53	66	53	64	52	63	52	49
	6	74	61	53	47	60	47	58	46	57	46	43
	7	68	56	47	42	55	41	53	41	52	41	39
	8	64	51	43	37	50	37	49	37	48	37	35
	9	60	47	39	34	46	34	45	33	44	33	31
	10	56	43	36	31	43	31	42	30	41	30	28

Zonal lumens & percentages

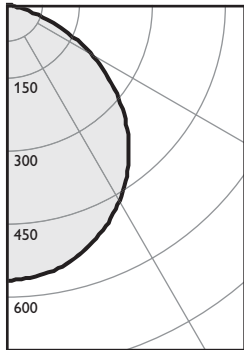
Zone	Lumens	%Luminaire
0-30	302	32.9%
0-40	486	53.0%
0-60	812	88.5%
0-90	917	100.0%

Report#: RD4R089301W

Output lumens:	917 lms	Efficacy:	76.4 lm/w
Spacing Criterion:	1.2	CCT ³ :	3000K
Input Watts ² :	12W	CRI:	90 min

5/6-inch, 18W, 78.4lm/W

Candela Curve



Angle	Mean CP	Lumens
0	564	
5	561	53
10	552	
15	538	152
20	517	
25	492	227
30	463	
35	429	270
40	390	
45	347	272
50	300	
55	250	232
60	197	
65	139	151
70	80	
75	30	49
80	8	
85	3	4
90	0	

Single unit data

Height to Lighted Plane	Initial center beam foot-candles	Beam dia. (ft)*
5'	23	6.0'
6'	16	7.2'
7'	12	8.4'
8'	9	9.6'
9'	7	10.8'

* Beam diameter is where foot-candles drop to 50% of maximum.

Multiple unit data - RCR 2

Spacing on center	Initial center beam foot-candles	Watts per sq.ft.
5'	58.3	0.80
6'	38.3	0.52
7'	27.3	0.37
8'	22.8	0.31
9'	18.2	0.25

38'x38'x10' Room, Workplane 2.5' above floor, 80/50/20% Reflectances

Coefficients of utilization

Ceiling	80%				70%		50%		30%		0%	
	70	50	30	10	50	10	50	10	50	10	0	
RCR	Zonal cavity method - Effective floor reflectance = 20%											
Room Cavity Ratio	0	119	119	119	119	116	116	111	111	106	106	100
	1	110	106	102	99	104	97	99	94	96	91	87
	2	101	93	87	82	92	81	88	79	85	77	74
	3	92	83	75	69	81	68	78	67	75	66	63
	4	85	74	65	59	72	58	70	58	67	57	54
	5	78	66	57	51	65	51	63	50	61	50	47
	6	72	59	51	45	59	44	57	44	55	44	41
	7	67	54	46	40	53	39	52	39	50	39	37
	8	62	49	41	35	49	35	47	35	46	35	33
	9	58	45	37	32	45	32	44	32	43	31	30
	10	55	42	34	29	41	29	40	29	39	29	27

Zonal lumens & percentages

Zone	Lumens	%Luminaire
0-30	433	30.6%
0-40	702	49.8%
0-60	1206	85.5%
0-90	1411	100.0%

Report#: RD5R129301W

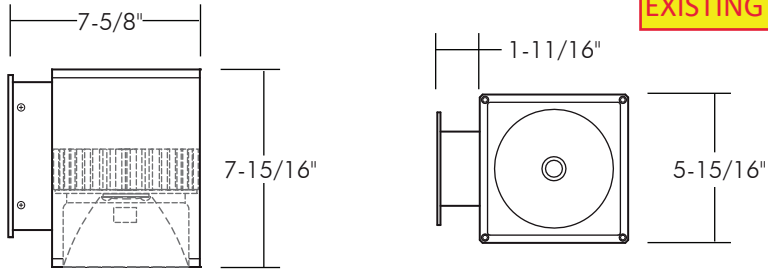
Output lumens:	1411 lms	Efficacy:	78.4 lm/w
Spacing Criterion:	1.2	CCT ³ :	3000K
Input Watts ² :	18W	CRI:	90 min

1. Tested using absolute photometry as specified in LM79: IESNA Approved Method for the Electrical and Photometric Measurements of Solid-State Lighting Products.
2. Wattage: controlled to within 5%
3. Correlated Color Temperature: within specs as defined in ANSI_NEMA_ANSI C78.377-2008: Specifications for the Chromaticity of Solid State Lighting Products.



WD1Q360 - 6" SQUARE 1-DIRECTION WALL MOUNT (IP65) - 1000LM/1500LM/2200LM/2600LM SURFACE 1-DIRECTION WALL MOUNT

**TYPE (B) -
AT EXTERIOR NEW &
EXISTING PIERS**



SPECIFICATION

Application: This WD1 Series directional Wall luminaire can be used in both interior and outdoor settings and can be pointed up or down. Typical locations are in commercial and retail spaces that contain walls and/or columns that require directional lighting. Can be used as downlight for direct illumination or an uplights for indirect illumination of architecture facades.

Housing: Constructed from a square two piece high grade aluminum extrusion with a rectangular extrusion arm, end cap, faceplate and a mounting plate with a powder coat finish. Includes LED, optics and LED driver. Mounting plate is secured to arm with four (4) flat head phillips stainless steel screws. Mounting plate installs onto an electrical junction box.

Mounting: Fixture includes a mounting bracket for installation directly to a 4" octagonal electrical junction-box.

Faceplate: Square one piece die cast aluminum with powder coat finish, clear tempered glass lens, and silicone o-ring. Faceplate is secured to the housing by four (4) tamper resistant, stainless steel screws.

Reflector Construction: One piece, heavy-gauge aluminum reflector prevents ugly dents during shipping and installation. Deeply mounted singular LED provides 50 degree visual cutoff for a glare-free appearance.

Lumen Maintenance: Minimum 50,000 hours L70 life based on ANSI TM-21 calculations from LM80 standardized test results. See ordering guide for delivered lumens.

Dimming: (-DUN) option is a universal dimming system that works with most 3-Wire ELV, 2-Wire Incandescent and 5-Wire 0-10V fluorescent dimmers.

Electrical: AC 50/60Hz Electronic Direct Current Class 2 driver integrally mounted. Power Factor > 0.90. For cold weather applications (-22°C and above) use -DUN driver option.

Emergency Options: Emergency LED Battery Back-up available, remotely mounted adjacent to housing by installer. When AC power fails, the device immediately switches to the emergency mode, operating the LEDs for a minimum of 90 minutes. Remote test switch and plate cover included.

Caution: LITON recommends use of surge protectors on the power entering LED Housings. Surge damage is not covered by warranty.

Optional: Integral Surface Mounted Junction Box – The surface mounted, weatherproof junction box provides a clean finished look in situations where a recessed junction box is not an option. This feature includes four (4) conduit ports along with two (2) closure plugs.

Warranty: Covered by a 5 Year Warranty to be free of defects in materials and craftsmanship. Fixture should not be installed in applications with ambient temperature above 60 degrees C. Doing so will result in reduced lamp life and voided warranty.

Note: Dark Sky compliant when fixture is pointing downward.

Listing: ETL / cETL Listed. Suitable for wet location. Assembled in USA. (IP65).

Finish: A 7-stage electrostatic, polymer process provides a finish that delivers outstanding durability, superior anti-aging, resistance to corrosion and UV-degradation Standard finishes are White, Silver, Basic Bronze, Black. Special order finishes are Light Silver, Dark Grey, Metallic Gold and Metallic Black.

Beam Spread: Available in Wide Flood, 2° Pencil, Narrow Spot, Spot, Flood and Type IV (Forward Throw).

LED: Energy efficient Chip-On-Board (COB) Singular LED Light Source provides for smooth uniform light output, eliminating the multiple shadow effect seen by multiple LED Source products. Binned with 4-step MacAdam ellipses as recommended by ANSI Standard. Available in 4000K, 1700K*, 2500K*, 2700K, 2700K, 97CRI*, 3000K, 3000K, 97CRI*, 3500K, 5000K, 5600K and 590nm AMBER*.

- Benefit:**
- Daylight Sensor available
 - Uniform, low glare illumination
 - Durable, corrosion resistant finish
 - Emergency back up available
 - Singular COB Light Source
 - 5 year limited warranty
 - Available with Type IV/Forward Throw Option

FEATURE:



ORDERING EXAMPLE : WD1Q360B-L15-B02-UE-DUN-T17-EMAC

WD1Q360	FINISH	LUMEN	BEAM SPREAD	DIMMING	LED
WD1Q360	W :White	Blank :1000lm (15W)	Blank :Wide Flood	Blank :Non-Dimming (120V)	Blank :4000K
	S :Silver	-L15 :1500lm (22W)	-B02 :2° Pencil	UE-DUN :UniDim™ (120V/277V)	-T17 :1700K*
	BZ :Basic Bronze	-L20 :2200lm (22W)	-B10 :Narrow Spot		-T25 :2500K*
	B :Black	-L26 :2600lm (30W)	-B20 :Spot		-T27 :2700K
	LS :Light Silver*		-B45 :Flood		-T27-C97 :2700K, 97CRI*
	DG :Dark Grey*		-BIV :Type IV (Forward Throw)		-T30 :3000K
	MG :Metallic Gold*				-T30-C97 :3000K, 97CRI*
	MB :Metallic Black*				-T35 :3500K
					-T50 :5000K
					-T56 :5600K
					-TAM :590nm AMBER

OPTIONS

- Blank** :None
- EMAC** :Emergency
- SDL** :Daylight Sensor*
- LVR** :Hex-Cell Louver*
- JB** :Integra Junction Box 1-Outlet
- JB2** :Integral Junction Box 2-Outlet

*Special order finish. Minimum order, extended lead time may apply. Consult factory.

2019.09.11

WD1Q360 - PHOTOMETRY

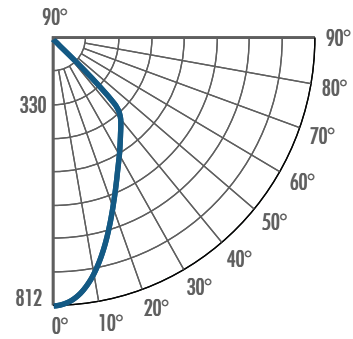
6" Square 1-Direction Wall Mount

LUMEN PACKAGE :	1000lm	1500lm	2200lm	2600lm
SYSTEM POWER :	15W	22W	22W	30W

WD1Q360WUE-DUN - 1000lm - Wide Flood - 4000K

System Power : 15.0W	Multipliers	
Test Date : 9/2016	5600K	1.42
Beam Angle 50% : 70.4°	5000K	1.27
Field Angle 10% : 100.2°	3500K	0.89
Color Temperature : 3930K	3000K	0.76
CRI : 83.8	2700K	0.69
R9 Value : 20.7	2500K	0.64
Lumens Delivered : 1069lm	1700K	0.42
CBCP : 812cd	Lumen Multipliers	
Power Factor : 0.99	1500lm	1.40
	2200lm	2.06
	2600lm	2.43
	CRI	
	80CRI (Blank)	:0.95
	90CRI (-C90)	:1.07
	97CRI (-C97)	:1.16

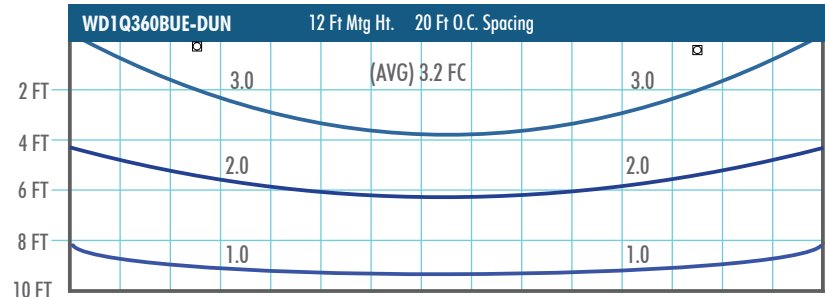
CANDELA TABULATION



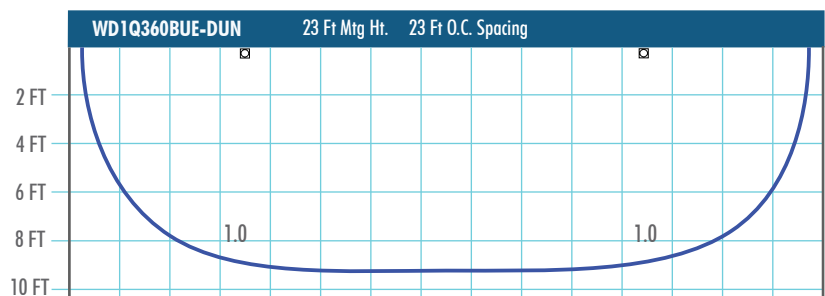
FOOTCANDLE DISTRIBUTION

Height	Beam Diameter	FC
8.0'	11.3'	12.7
10.0'	14.1'	8.1
12.0'	16.9'	5.6
14.0'	19.8'	4.1
16.0'	22.6'	3.2

ISO FOOTCANDLE PLOTS - Two Fixture

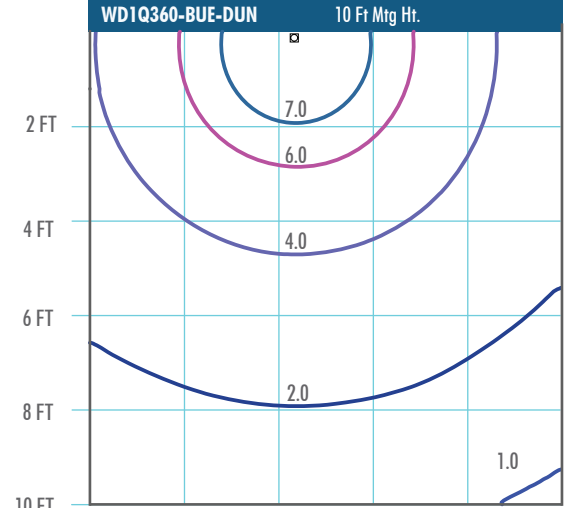


1 Grid = 2 FT
30 FT x 10 FT Surface Area to achieve (Avg) 2.3 FC
49% Reflectance Value on Wall
10% Reflectance Value on Surface



1 Grid = 2 FT
30 FT x 10 FT Surface Area to achieve (Avg) 1 FC
49% Reflectance Value on Wall
10% Reflectance Value on Surface

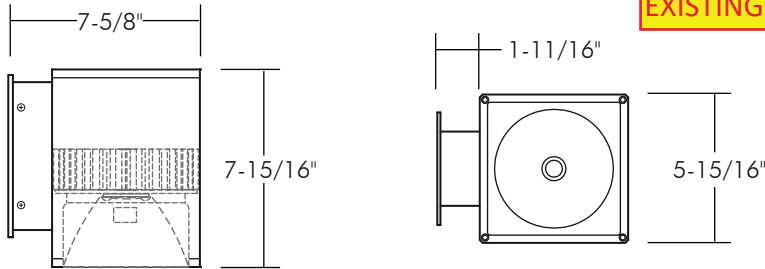
ISO FOOTCANDLE PLOTS - Single Fixture



1 Grid = 2 FT
10 FT x 10 FT Surface Area to achieve (Avg) 3.4 FC
49% Reflectance Value on Wall
10% Reflectance Value on Surface

WD1Q360 - 6" SQUARE 1-DIRECTION WALL MOUNT (IP65) - 1000LM/1500LM/2200LM/2600LM SURFACE 1-DIRECTION WALL MOUNT

**TYPE (B) -
AT EXTERIOR NEW &
EXISTING PIERS**



SPECIFICATION

Application: This WD1 Series directional Wall luminaire can be used in both interior and outdoor settings and can be pointed up or down. Typical locations are in commercial and retail spaces that contain walls and/or columns that require directional lighting. Can be used as downlight for direct illumination or an uplights for indirect illumination of architecture facades.

Housing: Constructed from a square two piece high grade aluminum extrusion with a rectangular extrusion arm, end cap, faceplate and a mounting plate with a powder coat finish. Includes LED, optics and LED driver. Mounting plate is secured to arm with four (4) flat head phillips stainless steel screws. Mounting plate installs onto an electrical junction box.

Mounting: Fixture includes a mounting bracket for installation directly to a 4" octagonal electrical junction-box.

Faceplate: Square one piece die cast aluminum with powder coat finish, clear tempered glass lens, and silicone o-ring. Faceplate is secured to the housing by four (4) tamper resistant, stainless steel screws.

Reflector Construction: One piece, heavy-gauge aluminum reflector prevents ugly dents during shipping and installation. Deeply mounted singular LED provides 50 degree visual cutoff for a glare-free appearance.

Lumen Maintenance: Minimum 50,000 hours L70 life based on ANSI TM-21 calculations from LM80 standardized test results. See ordering guide for delivered lumens.

Dimming: (-DUN) option is a universal dimming system that works with most 3-Wire ELV, 2-Wire Incandescent and 5-Wire 0-10V fluorescent dimmers.

Electrical: AC 50/60Hz Electronic Direct Current Class 2 driver integrally mounted. Power Factor > 0.90. For cold weather applications (-22°C and above) use -DUN driver option.

Emergency Options: Emergency LED Battery Back-up available, remotely mounted adjacent to housing by installer. When AC power fails, the device immediately switches to the emergency mode, operating the LEDs for a minimum of 90 minutes. Remote test switch and plate cover included.

Caution: LITON recommends use of surge protectors on the power entering LED Housings. Surge damage is not covered by warranty.

Optional: Integral Surface Mounted Junction Box – The surface mounted, weatherproof junction box provides a clean finished look in situations where a recessed junction box is not an option. This feature includes four (4) conduit ports along with two (2) closure plugs.

Warranty: Covered by a 5 Year Warranty to be free of defects in materials and craftsmanship. Fixture should not be installed in applications with ambient temperature above 60 degrees C. Doing so will result in reduced lamp life and voided warranty.

Note: Dark Sky compliant when fixture is pointing downward.

Listing: ETL / cETL Listed. Suitable for wet location. Assembled in USA. (IP65).

Finish: A 7-stage electrostatic, polymer process provides a finish that delivers outstanding durability, superior anti-aging, resistance to corrosion and UV-degradation Standard finishes are White, Silver, Basic Bronze, Black. Special order finishes are Light Silver, Dark Grey, Metallic Gold and Metallic Black.

Beam Spread: Available in Wide Flood, 2° Pencil, Narrow Spot, Spot, Flood and Type IV (Forward Throw).

LED: Energy efficient Chip-On-Board (COB) Singular LED Light Source provides for smooth uniform light output, eliminating the multiple shadow effect seen by multiple LED Source products. Binned with 4-step MacAdam ellipses as recommended by ANSI Standard. Available in 4000K, 1700K*, 2500K*, 2700K, 2700K, 97CRI*, 3000K, 3000K, 97CRI*, 3500K, 5000K, 5600K and 590nm AMBER*.

- Benefit:**
- Daylight Sensor available
 - Uniform, low glare illumination
 - Durable, corrosion resistant finish
 - Emergency back up available
 - Singular COB Light Source
 - 5 year limited warranty
 - Available with Type IV/Forward Throw Option

FEATURE:



ORDERING EXAMPLE : WD1Q360B-L15-B02-UE-DUN-T17-EMAC

WD1Q360	FINISH	LUMEN	BEAM SPREAD	DIMMING	LED
WD1Q360	W :White	Blank :1000lm (15W)	Blank :Wide Flood	Blank :Non-Dimming (120V)	Blank :4000K
	S :Silver	-L15 :1500lm (22W)	-B02 :2° Pencil	UE-DUN :UniDim™ (120V/277V)	-T17 :1700K*
	BZ :Basic Bronze	-L20 :2200lm (22W)	-B10 :Narrow Spot		-T25 :2500K*
	B :Black	-L26 :2600lm (30W)	-B20 :Spot		-T27 :2700K
	LS :Light Silver*		-B45 :Flood		-T27-C97 :2700K, 97CRI*
	DG :Dark Grey*		-BIV :Type IV (Forward Throw)		-T30 :3000K
	MG :Metallic Gold*				-T30-C97 :3000K, 97CRI*
	MB :Metallic Black*				-T35 :3500K
					-T50 :5000K
					-T56 :5600K
					-TAM :590nm AMBER

OPTIONS

- Blank** :None
- EMAC** :Emergency
- SDL** :Daylight Sensor*
- LVR** :Hex-Cell Louver*
- JB** :Integra Junction Box 1-Outlet
- JB2** :Integral Junction Box 2-Outlet

*Special order finish. Minimum order, extended lead time may apply. Consult factory.

2019.09.11

WD1Q360 - PHOTOMETRY

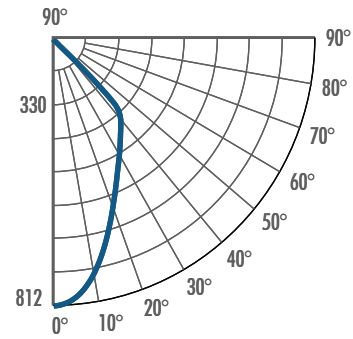
6" Square 1-Direction Wall Mount

LUMEN PACKAGE :	1000lm	1500lm	2200lm	2600lm
SYSTEM POWER :	15W	22W	22W	30W

WD1Q360WUE-DUN - 1000lm - Wide Flood - 4000K

System Power : 15.0W	Multipliers	
Test Date : 9/2016	5600K	1.42
Beam Angle 50% : 70.4°	5000K	1.27
Field Angle 10% : 100.2°	3500K	0.89
Color Temperature : 3930K	3000K	0.76
CRI : 83.8	2700K	0.69
R9 Value : 20.7	2500K	0.64
Lumens Delivered : 1069lm	1700K	0.42
CBCP : 812cd	Lumen Multipliers	
Power Factor : 0.99	1500lm	1.40
	2200lm	2.06
	2600lm	2.43
	CRI	
	80CRI (Blank)	:0.95
	90CRI (-C90)	:1.07
	97CRI (-C97)	:1.16

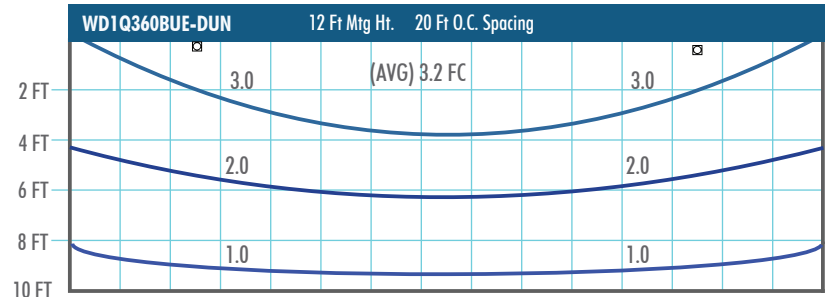
CANDELA TABULATION



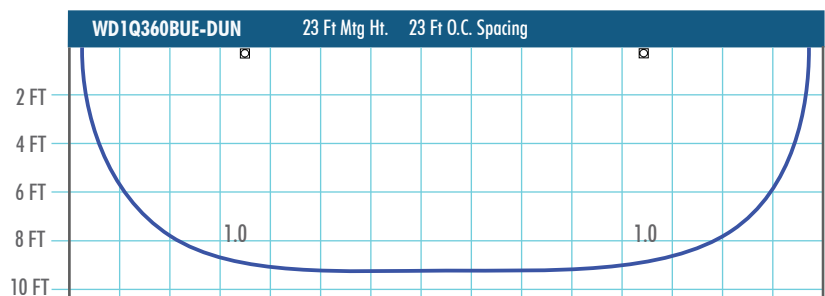
FOOTCANDLE DISTRIBUTION

Height	Beam Diameter	FC
8.0'	11.3'	12.7
10.0'	14.1'	8.1
12.0'	16.9'	5.6
14.0'	19.8'	4.1
16.0'	22.6'	3.2

ISO FOOTCANDLE PLOTS - Two Fixture

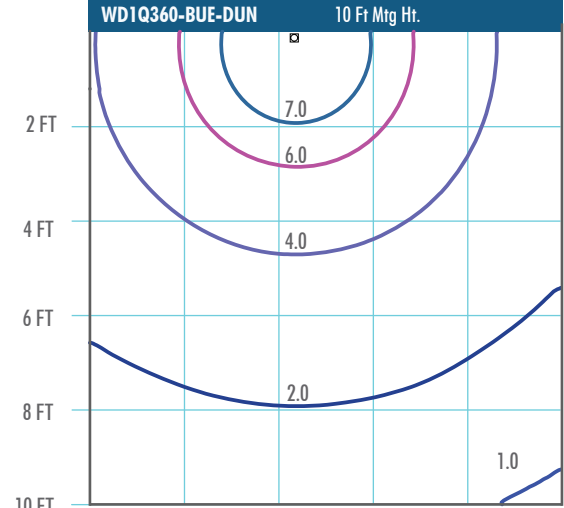


1 Grid = 2 FT
 30 FT x 10 FT Surface Area to achieve (Avg) 2.3 FC
 49% Reflectance Value on Wall
 10% Reflectance Value on Surface

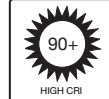


1 Grid = 2 FT
 30 FT x 10 FT Surface Area to achieve (Avg) 1 FC
 49% Reflectance Value on Wall
 10% Reflectance Value on Surface

ISO FOOTCANDLE PLOTS - Single Fixture

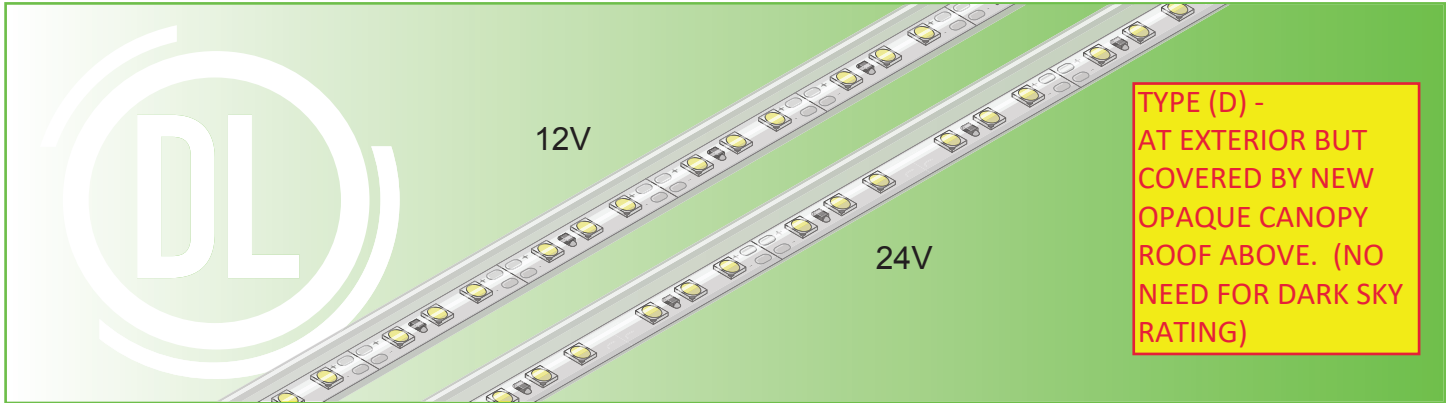


1 Grid = 2 FT
 10 FT x 10 FT Surface Area to achieve (Avg) 3.4 FC
 49% Reflectance Value on Wall
 10% Reflectance Value on Surface



Item # _____

Project _____



	DI-12V-BLBSC2	DI-24V-BLBSC2
Voltage	12V	24V
Wattage	2.93/ft.	2.93/ft.
Lumens	2700K	206/ft.
	3000K	221/ft.
	5000K	227/ft.
Max. Run¹	20 ft.	40 ft.
Cut Points	1 in.	2 in.
LED Chips	36/ft	
Color Temperature	2700K, 3000K, 5000K	
CRI	90+	
Dimmable	Yes	
Dimensions	0.39 x 0.18 in. (W x H)	
Environment²	Indoor / Wet Location/ IP65	
Certification	UL Listed 2108	
Warranty	7-Year Warranty	

SKU Builder

DI		BLBSC	2		
	Voltage	Model	Type	Color Temp	Length
	12V			27	W016
	24V			30	W100
				50	

Example: DI-12V-BLBSC2-27-W016 = Diode LED, 12 Volt, Wet Location BLAZE™ BASICS, Type 2, 2,700° CCT, 16.4 foot spool.

BLAZE™ BASICS 200 Wet Location LED Tape Light

SPECIFICATION SHEET

SPECIFICATIONS

- LED Chip Type: 2835 GuangMu Chip
- LED Chip Beam Angle: 120°
- Luminous Efficacy³ (lm/w): 70~77
- Mounting⁴: Mounting Clips, & 3M 55236 Adhesive Backing
- Connections⁵: 2.5 inch hard-wire lead: 20/2 AWG
- Ambient Temp⁶: -4 ~ 122°F (-20 ~ 50°C)
- Operating Temp⁷: -4 ~ 176°F (-20 ~ 80°C)

COMPLIANCE & REGULATORY APPROVALS

Safety

- UL Listed 2108 Low Voltage Lighting System / Low Voltage Luminaire. UL 1598 / CSA 250.0-08, UL 8750. UL 879 / CAN/CSA-C22.2 no. 207-M89. Certified for United States and Canada. File # E469769.
- UL Listed Field Cuttable.
- UL Recognized Component - Sign Accessories. Available in UL Sign Components Manual (SAMS Manual). File # E469770.
- CE & EMC Compliant: Verification No. GZEM141200683705V

Environmental

- RoHS Compliant: Verification No. CANEC1610091501

Performance

- Can be used to comply with TITLE 24 Part 6 High efficacy LED requirements - JA8-2016-E
- LED chip data measured in accordance to IES LM-80-08.
- Photometric & Colorimetry data measured in accordance to IES LM-79-08, in Elemental LED's Innovation Lab.

COMPATIBLE DRIVERS & CONTROLS

Visit the product page at www.DiodelED.com for compatible LED drivers & controls. See the Installation Guide for system diagrams.

ADDITIONAL ACCESSORIES

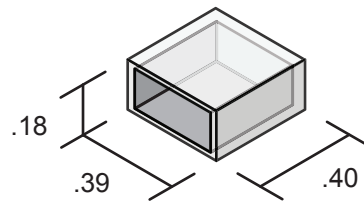
Accessories listed below fully support our Tape Light product line. Further information on these products and more accessories can be found in our latest catalog or online at www.DiodelED.com.

MECHANICAL DIAGRAM

BLAZE™ BASICS WET LOCATION END CAP

Terminal End Cap

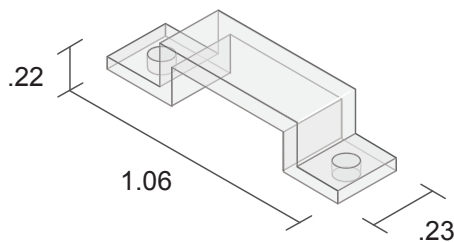
DI-WL-EC



BLAZE™ BASICS WET LOCATION MOUNTING CLIP

Mounting Clip

DI-0754



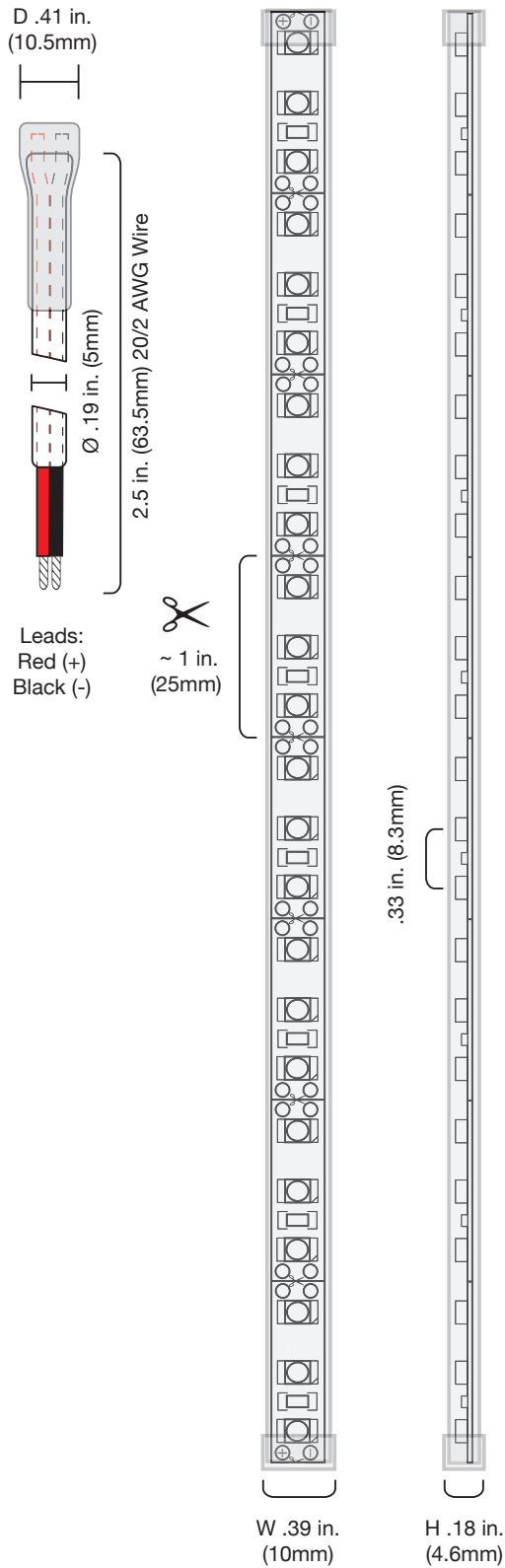
1. Each maximum run requires a dedicated power feed from the driver. Do not extend beyond the recommended maximum run length.
2. All plastics are affected by the elements and may shift in color and other properties after product installation, particularly with direct exposure to sun, chlorinated water, and other chemicals.
3. Actual efficacy value is dependent to specified LED driver (power supply). An estimated efficacy value can be calculated as follows: Lumen value divided by average power consumption per foot.
4. Ideal tape application temperature range is 70°F to 100°F (21°C to 38°C). Initial tape application to surfaces at temperatures below 50°F (10°C) is not recommended because the adhesive becomes too firm to adhere readily. However, once properly applied, low temperature holding is generally satisfactory.
5. Wire leads and accessories are not rated for in-wall installation unless otherwise noted. Attached wire leads and connections are field-cuttable.
6. Do not install product in an environment outside the listed ambient temperature. Exceeding the maximum ambient temperature may damage LED chips, reduce the total lamp life, lumen output, and/or adversely impact color consistency.
7. Operating temperature is measured according to the minimum and maximum ambient temperature environment.

BLAZE™ BASICS 200 Wet Location LED Tape Light

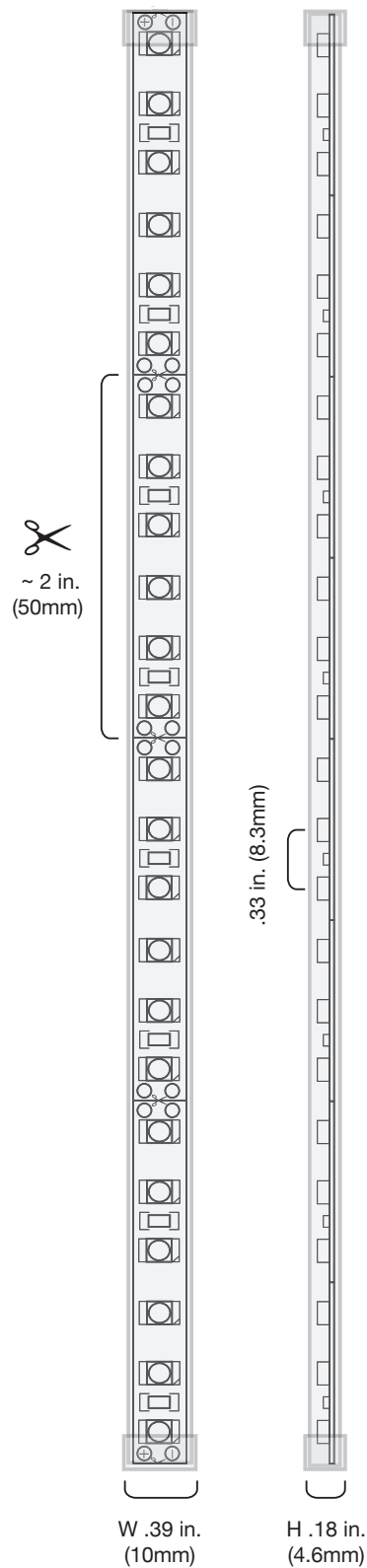
SPECIFICATION SHEET

MECHANICAL DIAGRAM

BLAZE™ BASICS 200 Wet Location 12V



BLAZE™ BASICS 200 Wet Location 24V



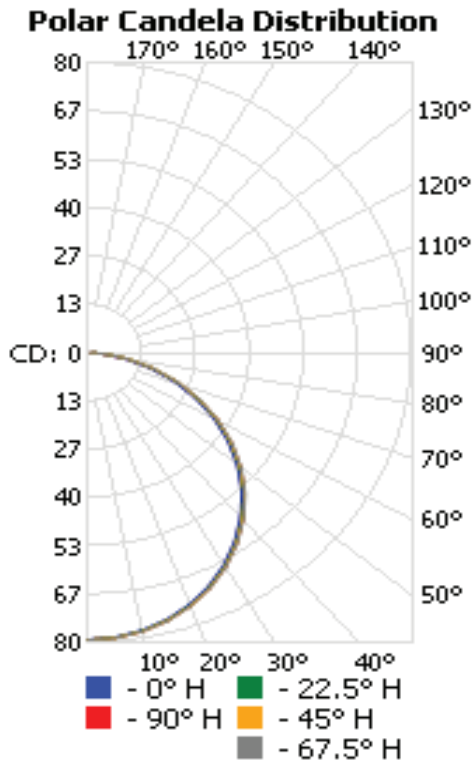
BLAZE™ BASICS 200 Wet Location LED Tape Light

SPECIFICATION SHEET

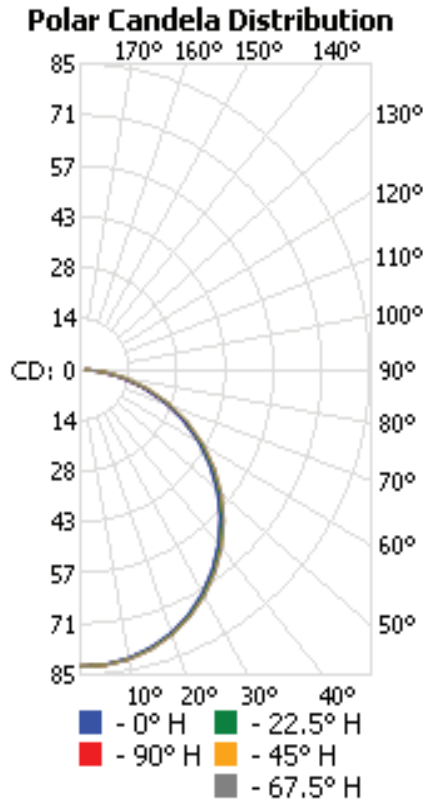
PHOTOMETRICS

BLAZE™ BASICS DI-12V-BLBSC2

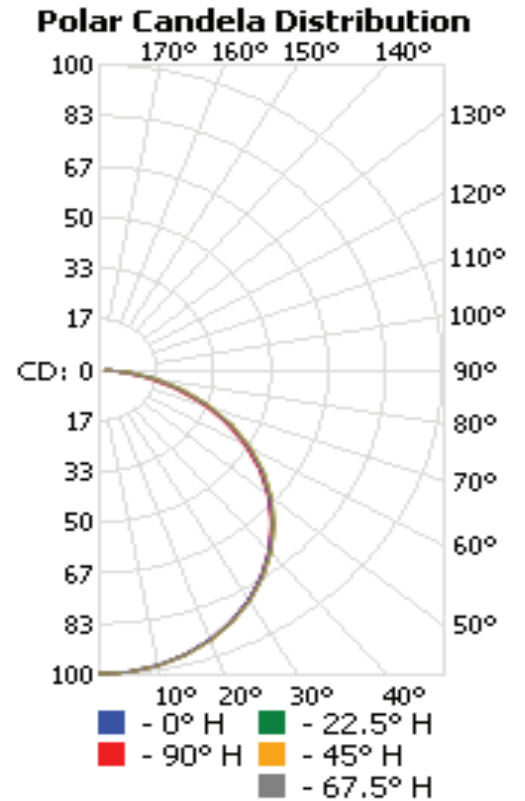
DI-12V-BLBSC2-27



DI-12V-BLBSC2-30



DI-12V-BLBSC2-50



BLAZE™ BASICS 200 Wet Location LED Tape Light

SPECIFICATION SHEET

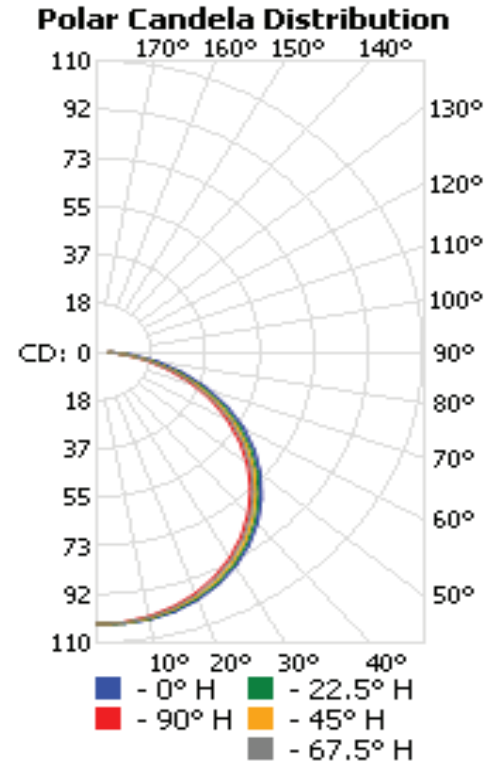
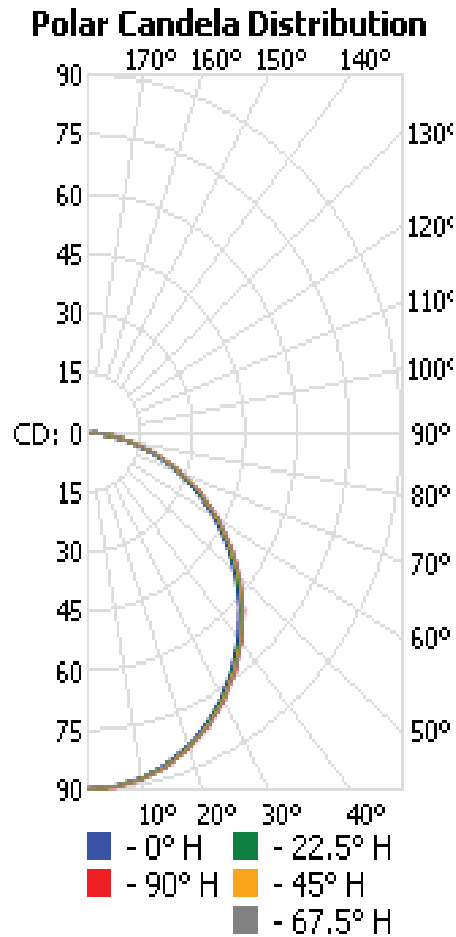
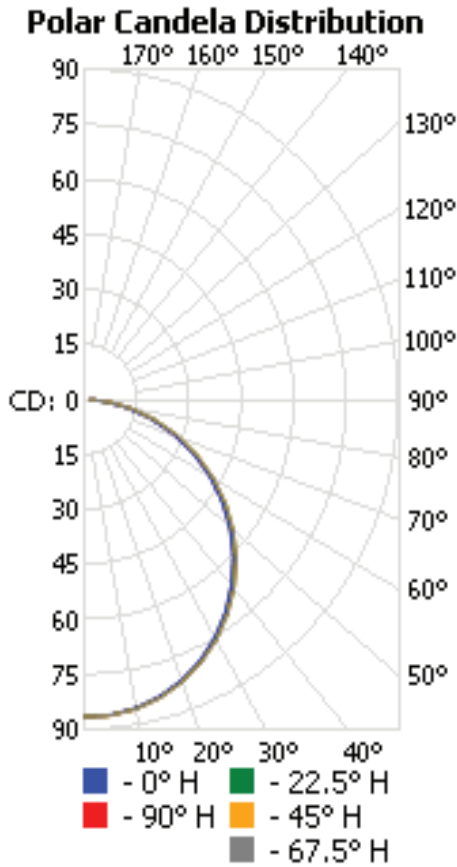
PHOTOMETRICS

BLAZE™ BASICS DI-24V-BLBSC2

DI-24V-BLBSC2-27

DI-24V-BLBSC2-30

DI-24V-BLBSC2-50



BLAZE™ BASICS 200 Wet Location LED Tape Light

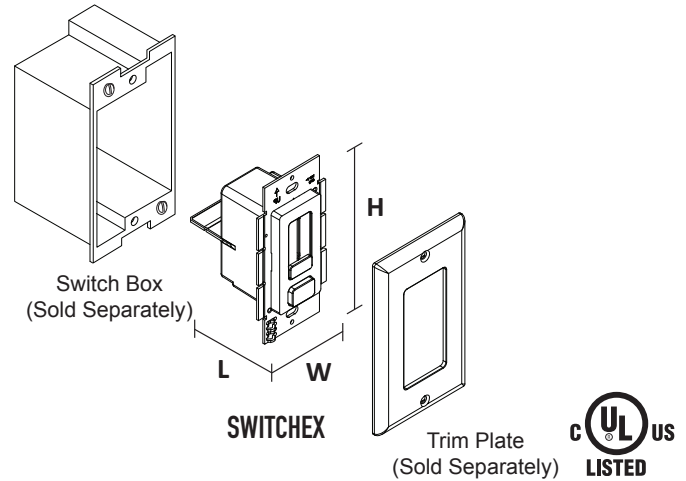
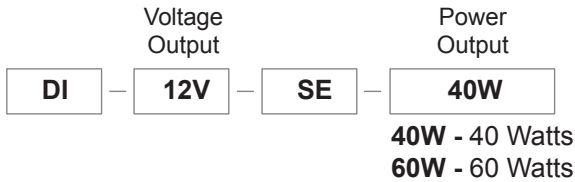
SPECIFICATION SHEET

LED DRIVERS (Required)

The following Listed LED Drivers are recommended to meet NEC code when installed according to specifications. For additional LED Driver options see Diode LED's product page at: <https://www.diodeled.com/products/led-power-supplies.html>

SWITCHEX® DRIVER + DIMMER SWITCH

SWITCHEX combines an LED driver and LED dimmer switch into a single integrated unit. Fits into standard switch boxes.

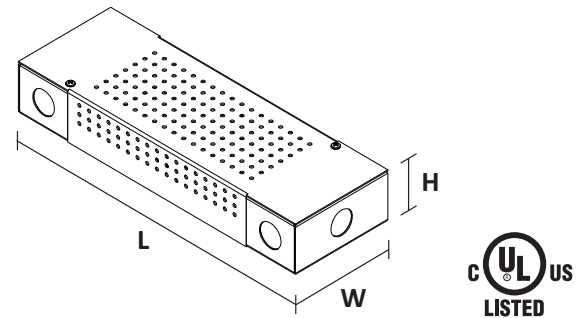
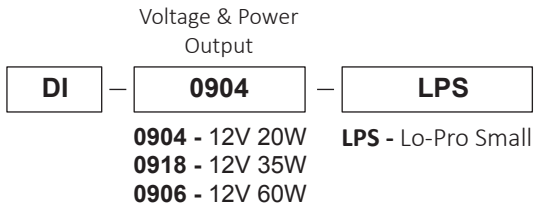


SKU	L - LENGTH	W - WIDTH	H - HEIGHT
DI-12V-SE-40W			
DI-12V-SE-60W			

Fits in Standard Switch Box

LO-PRO® JUNCTION BOX & DRIVER COMBO - 12V CONSTANT VOLTAGE LED DRIVER

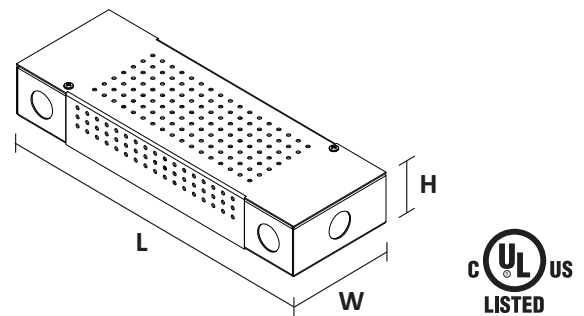
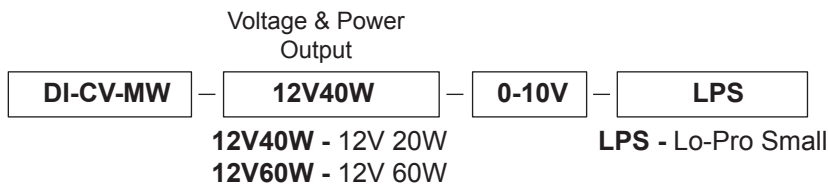
Use Constant Voltage Drivers to power your low voltage tape light. Compatible with Standard 120VAC On/Off Switches, REIGN® 12-24V Low Voltage Dimmers, TOUCHDIAL™ Control System, DMX Decoders, and PWM Controls.



SKU	L - LENGTH	W - WIDTH	H - HEIGHT
DI-0904-LPS			
DI-0918-LPS	11.25 in.	3.75 in.	1.90 in.
DI-0906-LPS			

LO-PRO® JUNCTION BOX & DRIVER COMBO - 12V COMMERCIAL GRADE 0-10V LED DIMMABLE DRIVER

Compatible with 0-10V controls and dimmer systems.



SKU	L - LENGTH	W - WIDTH	H - HEIGHT
DI-CV-MW-12V40W-0-10V-LPS			
DI-CV-MW-12V60W-0-10V-LPS	11.25 in.	3.75 in.	1.90 in.

BLAZE™ BASICS 200 Wet Location LED Tape Light

SPECIFICATION SHEET

LED DRIVERS (Required)

The following Listed LED Drivers are recommended to meet NEC code when installed according to specifications. For additional LED Driver options see Diode LED's product page at: <https://www.diodeled.com/products/led-power-supplies.html>

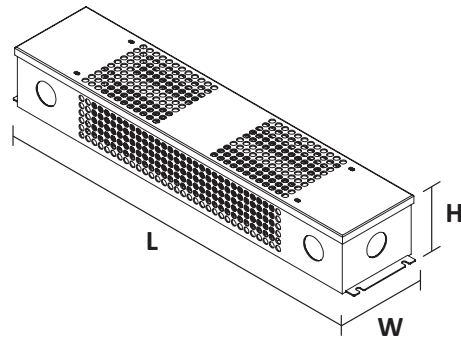
OMNIDRIVE® 2 ELECTRONIC DIMMABLE LED DRIVER

OMNIDRIVE 2 features a zero minimum load and 100-5% dimming range. Compatible with Forward Phase and Reverse Phase Dimmers.

Voltage & Power
Output



12V24W - 12V 24W
12V60W - 12V 60W
12V120W - 12V 120W
12V200W - 12V 200W



SKU	L - LENGTH	W - WIDTH	H - HEIGHT
DI-OD2-12V24W	13.75 in.	3.00 in.	1.60 in.
DI-OD2-12V60W	13.75 in.	3.00 in.	1.60 in.
DI-OD2-12V120W	15.00 in.	3.10 in.	2.40 in.
DI-OD2-12V200W	16.10 in.	3.40 in.	2.40 in.

LUTRON® Hi-lume 1% LED DIMMABLE DRIVER

Hi-lume 1% LED driver has a minimum load of 5W and Dims from 100-1%.

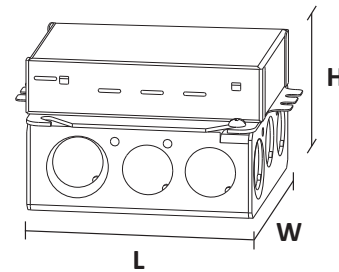
Voltage & Power
Output

3-Wire or 2-Wire Dimmers



12V40W - 12V 40W

L3D - Lutron Hi-lume 1% EcoSystem /3-Wire Voltage LED Driver
LTE - Lutron Hi-lume 1% 2-Wire LED Driver (120V Forward Phase Only)



SKU	L - LENGTH	W - WIDTH	H - HEIGHT
DI-DM-12V40W-L3D	4.89 in.	4.00 in.	2.62 in.
DDI-DM-12V40W-LTE			

LUTRON® Hi-lume Premier 0.1% LED DIMMABLE DRIVER

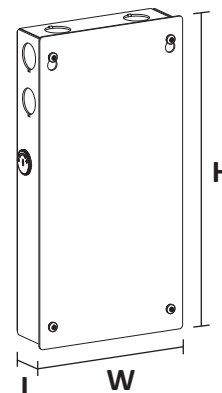
Hi-Lume Premier 0.1% LED driver has a minimum load of 5W and Dims from 100-0.1%.

Voltage & Power
Output



12V40W - 12V 40W

L3D - Lutron Hi-lume Premier 0.1% EcoSystem/3-Wire LED Driver



SKU	L - LENGTH	W - WIDTH	H - HEIGHT
DI-DM-24V96W-L3D	5.50 in.	2.20 in.	10.50 in.

BLAZE™ BASICS 200 Wet Location LED Tape Light

SPECIFICATION SHEET

LED DRIVERS (Required)

The following Listed LED Drivers are recommended for compatibility and to meet NEC code when installed according to specifications. For additional LED Driver options see Diode LED's product page at: <https://www.diodeled.com/products/led-power-supplies.html>

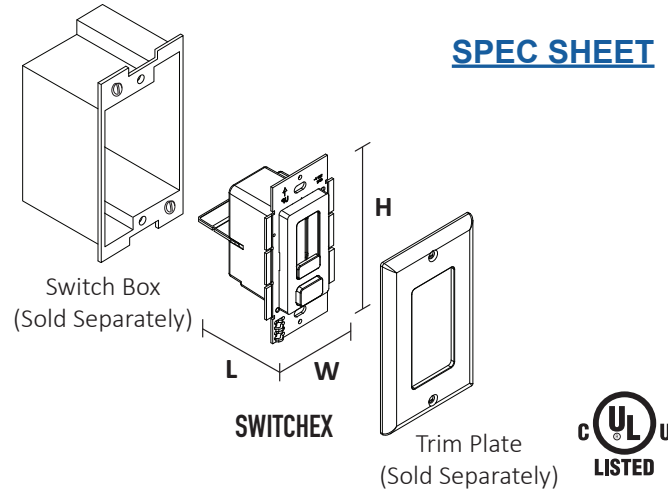
SWITCHEX® DRIVER + DIMMER SWITCH

SWITCHEX combines an LED driver and LED dimmer switch into a single integrated unit. Fits into standard switch boxes.



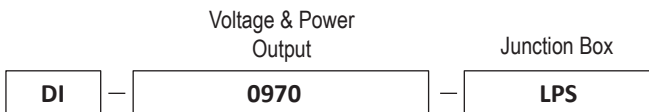
SKU	L - LENGTH	W - WIDTH	H - HEIGHT
DI-24V-SE-60W	1.40 in.	2.10 in.	4.10 in.
DI-24V-SE-100W	1.40 in.	2.10 in.	4.10 in.

Fits in Standard Switch Box

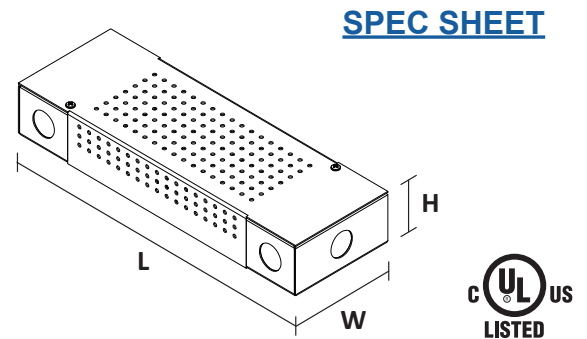


LO-PRO® JUNCTION BOX & DRIVER COMBO - 24V CONSTANT VOLTAGE LED DRIVER

Use Constant Voltage Drivers to power your lighting system. Compatible with Standard 120VAC On/Off Switches, REIGN® Low Voltage Dimmers, TOUCHDIAL™ Control System, DMX Decoders, and PWM Controls.

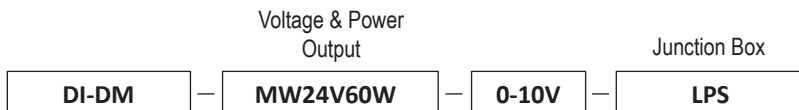


SKU	L - LENGTH	W - WIDTH	H - HEIGHT
DI-0970-LPS	11.25 in.	3.75 in.	1.90 in.
DI-CV-MW24V60W-277-LPS	11.25 in.	3.75 in.	1.90 in.
DI-CV-MW24V90W-277-LPS	11.25 in.	3.75 in.	1.90 in.
DI-0954-LPL	13.5 in.	4.5 in.	2.37 in.

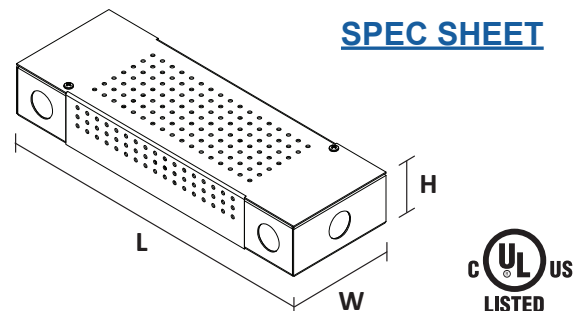


LO-PRO® JUNCTION BOX & DRIVER COMBO - 24V COMMERCIAL GRADE 0-10V LED DIMMABLE DRIVER

Compatible with 0-10V controls and dimming systems.



SKU	L - LENGTH	W - WIDTH	H - HEIGHT
DI-DM-MW-24V60W-0-10V-LPS	11.25 in.	3.75 in.	1.90 in.
DI-DM-MW-24V90W-0-10V-LPL	13.5 in.	4.5 in.	2.37 in.



BLAZE™ BASICS 200 Wet Location LED Tape Light

SPECIFICATION SHEET

LED DRIVERS CONT. (Required)

The following Listed LED Drivers are recommended for compatibility and to meet NEC code when installed according to specifications. For additional LED Driver options see Diode LED's product page at: <https://www.diodeled.com/products/led-power-supplies.html>

OMNIDRIVE® 2 ELECTRONIC DIMMABLE LED DRIVER

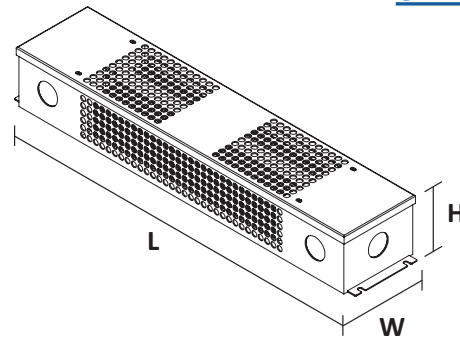
OMNIDRIVE 2 features a zero minimum load and 100-5% dimming range. Compatible with Forward Phase and Reverse Phase Dimmers. Please see Diode LED's Compatibility List at: <https://www.diodeled.com/custom/download/productFile/filename/DI-OD2-Compatibility%20List.pdf>

Voltage & Power
Output



[SPEC SHEET](#)

SKU	L - LENGTH	W - WIDTH	H - HEIGHT
DI-OD2-24V24W	13.75 in.	3.00 in.	1.60 in.
DI-OD2-24V60W	13.75 in.	3.00 in.	1.60 in.
DI-OD2-24V96W	15.00 in.	3.10 in.	2.40 in.
DI-OD2-24V120W	15.00 in.	3.10 in.	2.40 in.
DI-OD2-24V200W	16.10 in.	3.40 in.	2.40 in.



LUTRON® Hi-lume 1% LED DIMMABLE DRIVER

Hi-lume 1% LED Driver has a minimum load of 5W and dims from 100-1%.

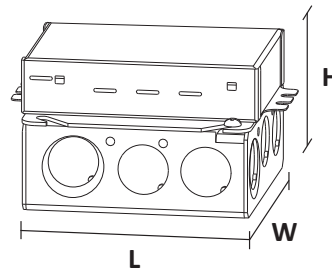
Voltage & Power
Output

3-Wire or 2-Wire Dimmers



[L3D SPEC SHEET](#)
[LTE SPEC SHEET](#)

SKU	L - LENGTH	W - WIDTH	H - HEIGHT
DI-DM-24V40W-L3D	4.89 in.	4.00 in.	2.62 in.
DI-DM-24V40W-LTE			



LUTRON® Hi-lume Premier 0.1% LED DIMMABLE DRIVER

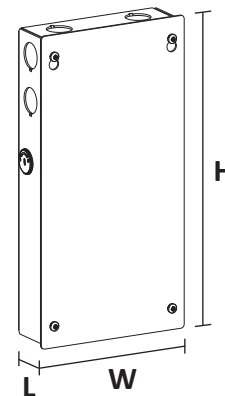
Hi-Lume Premier 0.1% LED Driver has a minimum load of 5W and dims from 100-0.1%.

Voltage & Power
Output



[SPEC SHEET](#)

SKU	L - LENGTH	W - WIDTH	H - HEIGHT
DI-DM-24V96W-L3D	5.50 in.	2.20 in.	10.50 in.



BLAZE™ BASICS 200 Wet Location LED Tape Light

SPECIFICATION SHEET

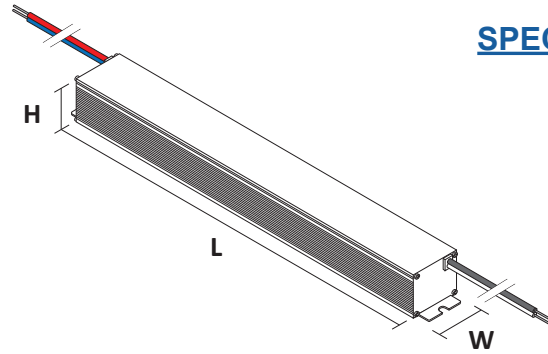
LED DRIVERS (Required)

The following Listed LED Drivers are recommended to meet NEC code when installed according to specifications. For additional LED Driver options see Diode LED's product page at: <https://www.diodeled.com/products/led-power-supplies.html>

VLM SERIES CONSTANT VOLTAGE DRIVER

Use Constant Voltage Drivers to power your low voltage tape light. Compatible with Standard 120VAC On/Off Switches, REIGN® 12-24V Low Voltage Dimmers, TOUCHDIAL™ Control System, DMX Decoders, and PWM Controls.

VLM		-	24
	Wattage		Voltage
	60W		
	100W		



[SPEC SHEET](#)

SKU	L - LENGTH	W - WIDTH	H - HEIGHT
VLM60W-24	5.1 in.	.75 in.	.77 in.
VLM100W-24	5.38 in.	1 in.	.77 in.



BLAZE™ BASICS 200 Wet Location LED Tape Light

ADDITIONAL INFORMATION

- LOW VOLTAGE LED TAPE LIGHT Installation Guide

SAFETY / WARNINGS / DISCLOSURES

1. Install in accordance with national and local electrical code regulations.
2. This product is intended to be installed and serviced by a qualified, licensed electrician.
3. Only install with a Class 2 DC Constant Voltage LED driver.
4. Only use copper wiring. Use wires rated for at least 176°F (80°C) and certified for use with external connection of electrical equipment.
5. Each maximum run requires a dedicated power feed from the driver. Do not extend beyond the recommended maximum run length.
6. Tape light, attached wire leads, and additional extension cables, connectors, etc., are not rated for in-wall installation unless otherwise noted. Tape light and attached wire leads are field-cuttable.
7. Ensure applicable wire is installed between driver, fixture, and any controls in-between. When choosing wire, factor in voltage drop, amperage rating, and type (in-wall rated, wet location rated, etc.). Inadequate wire installation could overheat wires, and cause fire.
8. All plastics are affected by the elements and may shift in color and other properties after product installation, particularly with direct exposure to sun, chlorinated water, and other chemicals.
9. Do not install in environment where excessive heat may exist (ex. close proximity to fireplace, etc.) See Ambient Temperature ratings
10. Do not install indoor LED tape light products in outdoor / wet location environments. Only wet location tape light models are rated for outdoor / wet locations.
11. Do not modify product beyond instructions or warranty will be void.
12. Tape light must be handled with care. Excessive handling, bending, and pressure may damage the product, voiding the warranty.
13. Actual color may vary from what is pictured on this sheet and other print materials due to the limitations of photographic processes.
14. We reserve the right to modify and improve the design of our fixtures without prior notice. We cannot guarantee to match existing installed fixtures for subsequent orders or replacements in regards to product appearance, CCT, or lumen output.

WARRANTY

Limited Warranty

This product has a seven (7) year limited warranty from the date of shipment. This warranty does not include the additional accessories referenced in this specification sheet. Complete warranty details for fixtures and additional accessories are available at www.diodeled.com/limited-warranty/ within the Policies section. For warranty related questions please contact product support.

Consumer's Acknowledgment

Elemental LED, Inc. stands behind its products when they are used properly and according to our specifications. By purchasing our products, the purchaser agrees and acknowledges that lighting design, configuration and installation is a complex process, wherein seemingly minor factors or changes in layout and in-field adjustments can have a significant impact on an entire system. Choosing the correct components is essential. Elemental LED is able to work with the original purchaser to make an appropriate product selection to the extent of the limited information that the customer can provide, but it is virtually impossible for Elemental LED to design a system that foresees every unknown factor. For this reason, this Warranty does not cover problems caused by improper design, configuration or installation issues. Any statement from a Elemental LED employee or agent regarding a customer's bill of goods and/or purchase order is NOT an acknowledgment that the products purchased are designed and configured correctly. The purchase agrees and acknowledges that it is the customer's responsibility to adhere strictly to all information contained in the Product Specification Sheets.

There is often more than one way to design, configure and layout an LED lighting application properly to achieve the same lighting effect. Elemental LED strongly recommends that licensed professionals be used in the design and installation of lighting systems that include Elemental LED products. The specifications include important information that a designer and installer should carefully review and strictly follow. Qualified designers and certified and/or licensed installers, with access to the final installation environment, customer goals, and Elemental LED product specifications can make the requisite decisions appropriate for a successful finished lighting application.

SPECIFICATION SHEET



© 2019 Elemental LED, Inc. All rights reserved.
Specifications are subject to change without notice.

Toll Free: 877.817.6028 | Fax: 415.592.1596 | www.DiodeLED.com | info@DiodeLED.com



Stonco LytePro LED medium wall sconce LPW16 features outstanding value in a compact, architectural design. This powerful and precise combination offers outstanding energy savings with excellent photometric performance. LPW16 is ideal for entryways and corridors in addition to wall lighting applications requiring strong lateral spacing and forward pattern projection.

TYPE (E) - NOT DARK SKY RATED, BUT LIGHT IS DISPURSE DOWN ONLY. DIMMABLE.

Project: _____
 Location: _____
 Cat.No: _____
 Type: _____
 Lamps: _____ Qty: _____
 Notes: _____

Ordering guide

Example: **LPW16-20-NW-G3-3-120-PCB-BZ**

					Options			
Prefix	Wattage	LED Color/Gen	Distribution	Voltage	Photocontrol		Finish	
LPW16	30	WW-G3	4	120			BZ	
LPW16 LytePro 16 LED medium wall sconce	20 20W 30 30W 50 50W	NW-G3 Neutral White 4000K 70 CRI Generation 3 WW-G3 Warm White 3000K 70 CRI Generation 3	3 Type 3 4 Type 4	120 120V 208 208V 240 240V 277 277V 347 347V 480 480V UNV 120-277V (50/60Hz) HVU 347-480V (50/60Hz)	--- None PCB Photocontrol Button ¹	Textured BK Black WH White BZ Bronze DGY Dark Gray MGY Medium Gray Customer specified RAL Specify optional color or RAL (ex: OC-LGP or OC-RAL7024) CC Custom color (Must supply color chip for required factory quote)		

Stocked luminaires – Ordering guide

Catalog Number	Description	Master Pack, Qty	UPC Code
LPW16-G3-8-BZ	LPW16, 30W, 650mA, 4000K, Type 3, 120-277V, Bronze textured paint	6	622252813872
LPW16-G3-8-DGY	LPW16, 30W, 650mA, 4000K, Type 3, 120-277V, Dark gray textured paint	6	622252813865

Stocked accessories – Ordering guide (Must be ordered separately)

Catalog Number	Description	Master Pack, Qty	UPC Code
LPWCVRPLT-BZ ²	LPW Universal wall cover mounting plate, Bronze textured paint	(none)	190096144860

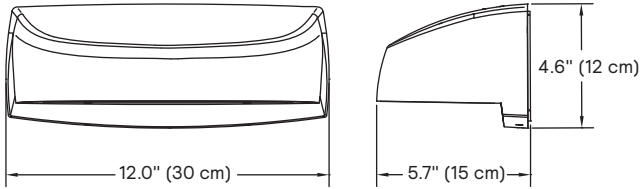
¹ Must specify voltage. Not available in 347V or 480V.
² Other colors available upon request as made-to-order



LPW16 LytePro

LED medium wall sconce

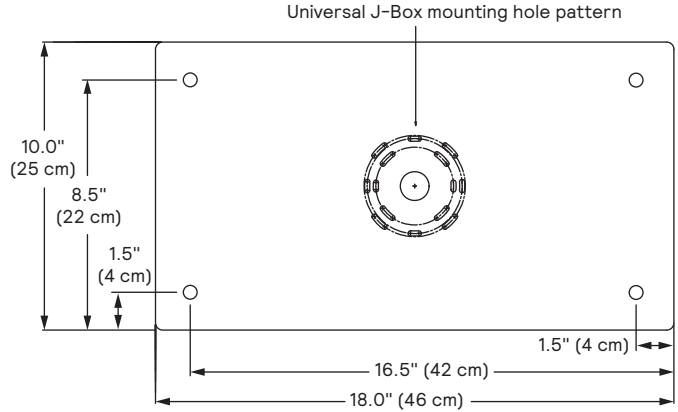
Dimensions



Luminaire weight: 6lbs (2.7 kg)

Accessory dimensions (ordered separately)

LPWCVRPLT-BZ LPW Universal wall cover mounting plate, 0.08" aluminum, bronze textured paint (used to cover larger pre-existing opening or surfaces, field installed). Offers same J-Box pattern as luminaire or may lagged to wall using (4) knockouts.



LED Wattage and Lumen Values

Ordering Code	Total LEDs	LED Current (mA)	Color Temp.	Average System Watts	Type 3			Type 4		
					Lumen Output	BUG Rating	Efficacy (LPW)	Lumen Output	BUG Rating	Efficacy (LPW)
LPW-16-20-NW-G3	16	400	4000	22.3	2,316	B1-U0-G1	104	2,242	B1-U0-G1	101
LPW-16-30-NW-G3	16	650	4000	34.3	3,474	B1-U0-G1	101	3,364	B1-U0-G1	98
LPW-16-50-NW-G3	16	900	4000	48.0	4,629	B1-U0-G1	96	4,482	B1-U0-G1	93
LPW-16-20-WW-G3	16	400	3000	22.3	2,132	B1-U0-G0	96	2,065	B1-U0-G1	93
LPW-16-30-WW-G3	16	650	3000	34.3	3,200	B1-U0-G1	93	3,098	B1-U0-G1	90
LPW-16-50-WW-G3	16	900	3000	47.5	4,263	B1-U0-G1	90	4,128	B1-U0-G1	87

Values from photometric tests performed in accordance with IESNA LM-79 and are representative of the configurations shown.

Actual performance may vary due to installation and environmental variables, LED and driver tolerances, and field measurement considerations. It is highly recommended to confirm performance with a photometric layout.

NOTE: Some data may be scaled based on tests of similar (but not identical) luminaires. Contact factory for configurations not shown.

Predicted lumen depreciation data

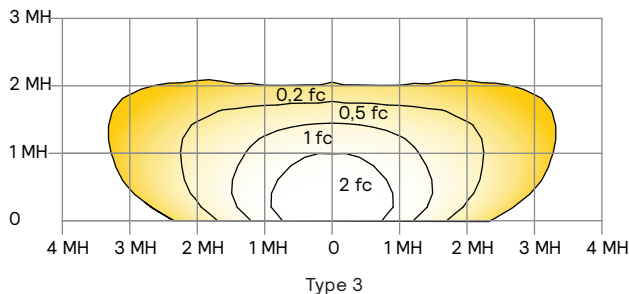
Predicted performance derived from LED manufacturer's data and engineering design estimates, based on IESNA LM-80 methodology.

Actual experience may vary due to field application conditions. L₇₀ is the predicted time when LED performance depreciates to 70% of initial lumen output. Calculated per IESNA TM21-11. Published L₇₀ hours limited to 6 times actual LED test hours

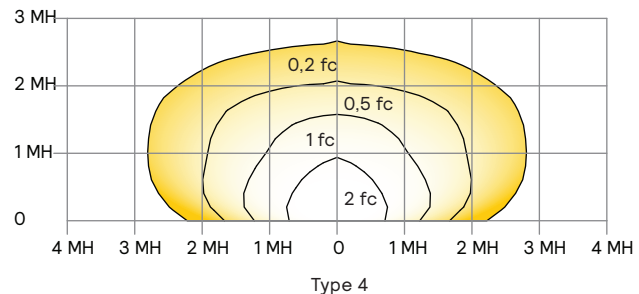
Ambient Temperature °C	Calculated L ₇₀ Hours	L ₇₀ per TM-21	Lumen Maintenance % at 60,000 hrs
up to 40°C	>200,000 hours	>54,000 hours	>96%

Optical distributions

Based on LPW16-30-NW-G3 at 15' mounting height



LPW16 15' mounting height			
Mounting height	10 ft	12 ft	15 ft
Multiplier	1.57	1.34	1.00



LPW16 15' mounting height			
Mounting height	10 ft	12 ft	15 ft
Multiplier	1.46	1.27	0.87

LPW16 LytePro

LED medium wall sconce

General Description

LytePro LED medium wall sconce LPW16 combines excellent performance, design and value to meet the needs of the energy and budget conscious. The LPW16 is available for use in downward facing, surface wall mount applications, over recessed j-boxes or where power can be directly fed through back surface, whereby connections splices can be made inside the luminaire housing. Two SKU's are available as in-stock configurations only (2-day quick ship).

Housing

Die-cast housing houses both the LED and driver assemblies. Design incorporates an integrated heat sink to maximize thermal performance and reliability. Backplate is corrosion free, composite polycarbonate, with built-in level bubble, offers integral interlocking hook and mount design for easy installation.

Mounting

Easy interlocking hook and mount housing/backplate design for easy installation. Mounts over 3.5", 4" octagonal j-boxes and single gang switch boxes or can be directly lagged to surface. Ensure proper steps for gasket/sealing luminaire to surface.

IP Rating

Optical compartment is IP65 rated.

LED Board and Array

Provides up to 104 lm/W at the system level. Standard color temp is 4000K or 3000K +/- 250K, minimum 70 CRI.

Electrical

Driver efficiency (>90% standard). 120-277V and 347-480V available. All drivers are dimmable.

Temp range: -40°C (-40°F) to 40°C (104°F).

Open/short circuit protection. Inherent surge protection up to (6KVA). RoHS compliant.

Surge protection (SP1): Surge protection device tested in accordance with ANSI/IEEE C62.45 per ANSI/IEEE C62.41.2 Scenario I Category C High Exposure 10kV/10kA waveforms for Line-Ground, Line-Neutral and Neutral-Ground, and in accordance with DOE MSSLC Model Specification for LED Roadway Luminaires Appendix D Electrical Immunity High test level 10kV/10kA.

Listings

Product is cETLus listed suitable for Wet Locations. Suitable for use in ambients from -40°C to 40°C (-40°F to 104°F). DesignLights Consortium® qualified.

Finish

Each luminaire receives a fade and abrasion resistant, electrostatically applied, thermally cured, triglycidal isocyanurate (TGIC) textured polyester powdercoat finish.

Warranty

LPW16 luminaires, the LED arrays, and the drivers are all covered by a 5-year limited warranty. See www.signify.com/warranties for details.

