

City of Coconut Creek

InterOffice Memorandum

To: File PZ 02080006

Date: August 13, 2009

From: Jim Hetzel
MainStreet Project Coordinator

Subject: Vista BMW - Sign Modification to
MINI signage

The following minor adjustment to the approved variance package has been accepted by the Development Review Committee. Due to the nature of the request and the negligible impacts associated with the change, no additional review is required.

Requested Changes:

This memo shall serve as formal acceptance of the following modifications to Vista BMW sign variance application:

- Corporate requirement to change background color of wall sign from white to black

Summary of Requested Changes:

The property owner is requesting to modify the background color of the MINI façade sign from white to black based on franchise obligations. This modification does impact the sign variance requested for this project and is simply the background color change. Since there was a variance application that included this sign location, staff felt it necessary to document the requested change. Attached to this memo is the written request from owner and sign drawings.

This memo will be filed in the variance application folder (PZ02080006).

Email cc: Planning Staff



July 22, 2009

City of Coconut Creek
Permit Department
4800 W Copans Road
Coconut Creek FL 33063

Re: Vista MINI Signage

To Whom It May Concern:

This letter is in reference to the permitting of the Vista MINI signage located at 4401 W. Sample Road, Coconut Creek, Florida.

The MINI Corporation of North America is requiring us to change the MINI wall sign to black as part of our franchise obligation. Furthermore, the MINI panel on the monument sign will remain white because corporate specifications require it to be white when it is on the same sign as a BMW logo.

If you have any questions or if we can be of further assistance please feel free to contact us directly at 954-935-1670.

Thank you.

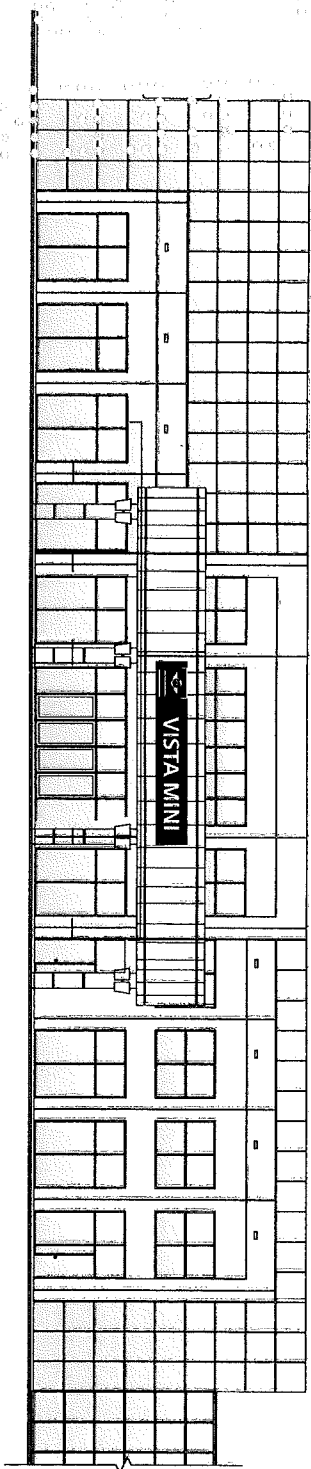
A handwritten signature in black ink, appearing to read 'm Perrault'.

Michael Perrault
General Manager
Vista Motors

Address
4401 W. Sample Rd.
Coconut Creek
FL 33063
http://vismotors.com/flag
954-935-1670 (Toll Free)

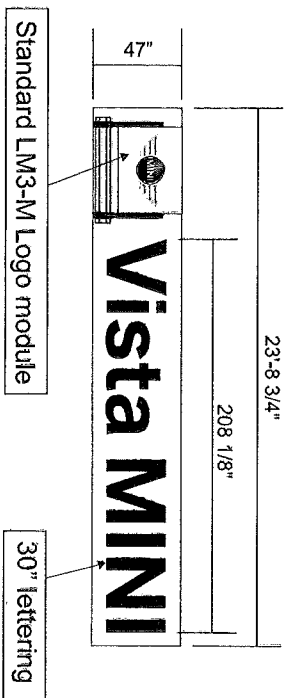
Telephone
954-935-1670 (Coconut
Creek)
954-935-2700 (Beverly Hills)
1 (800) 935-1670 (Toll Free)

Parts & Accessories
954-235-1688 (Coconut
Creek)
1 (800) 935-1688 (Toll Free)



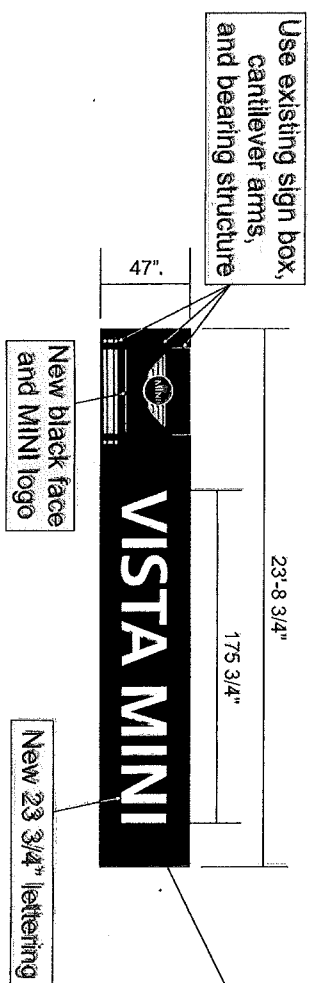
Part. Elevation: "Vista MINI" Letters with MINI Logo

Scale: 1/16"=1'0"



Existing LM-3 and WML-4 on radius panel

Scale: 3/16"=1'0" @ 11 x 17



Use existing sign box, cantilever arms, and bearing structure

Scope of Work:
 Remove and dispose of existing white radius sign panel and channel letters.
 Re-use logo module sign box, cantilever arms, and bearing structure.
 Re-face logo module with new black face and MINI logo in the field.
 Attach (4) new clips to radius black panel to re-install logo module in the field.

Proposed Reface

Scale: 3/16"=1'0" @ 11 x 17

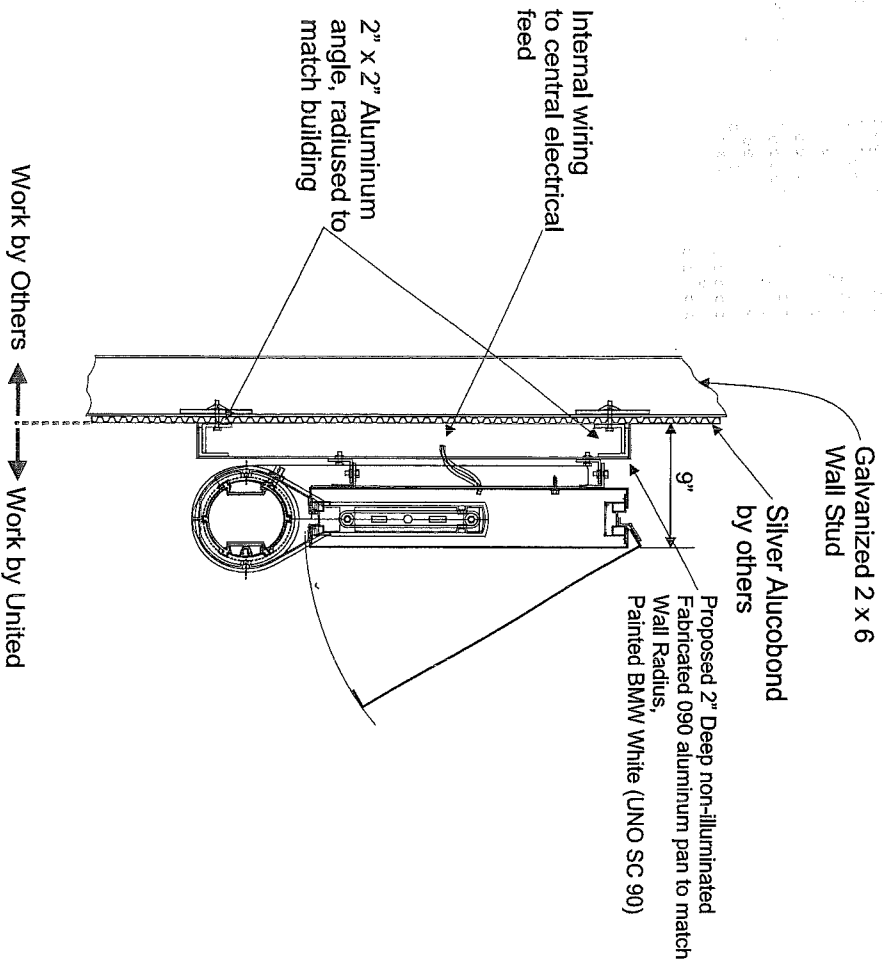
United Sign Systems
 A Division of United Advantage Sign Companies, Inc.
 PH. 888-704-1516

CLIENT:	Vista Motors
LOCATION:	Coconut Creek, FL
DATE:	REV. 06/23/09
DRAWING #	MINI-Vista-Reface
APPRVD. BY:	Checked By: _____
DRAWN BY:	CB

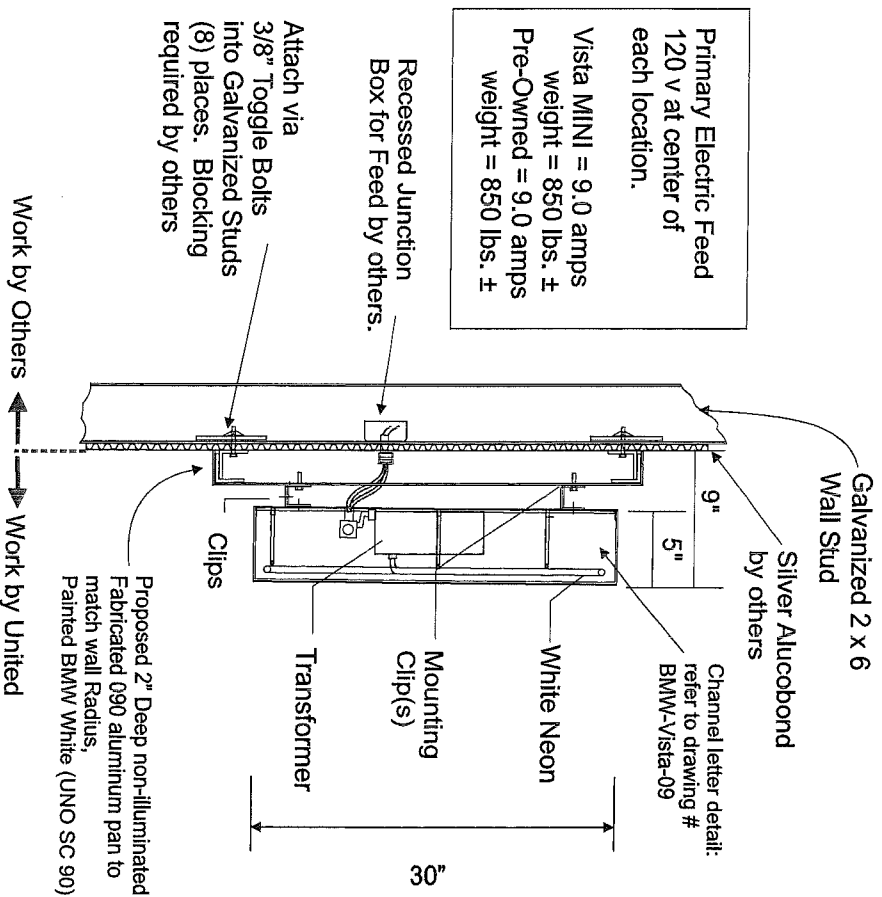
THIS DESIGN IS SUBMITTED AS PART OF OUR PROPOSAL AND IS TO REMAIN OUR PROPERTY EXCLUSIVELY UNTIL ACCEPTED AND APPROVED BY PURCHASE.

EXISTING





Section A-A
Scale: none

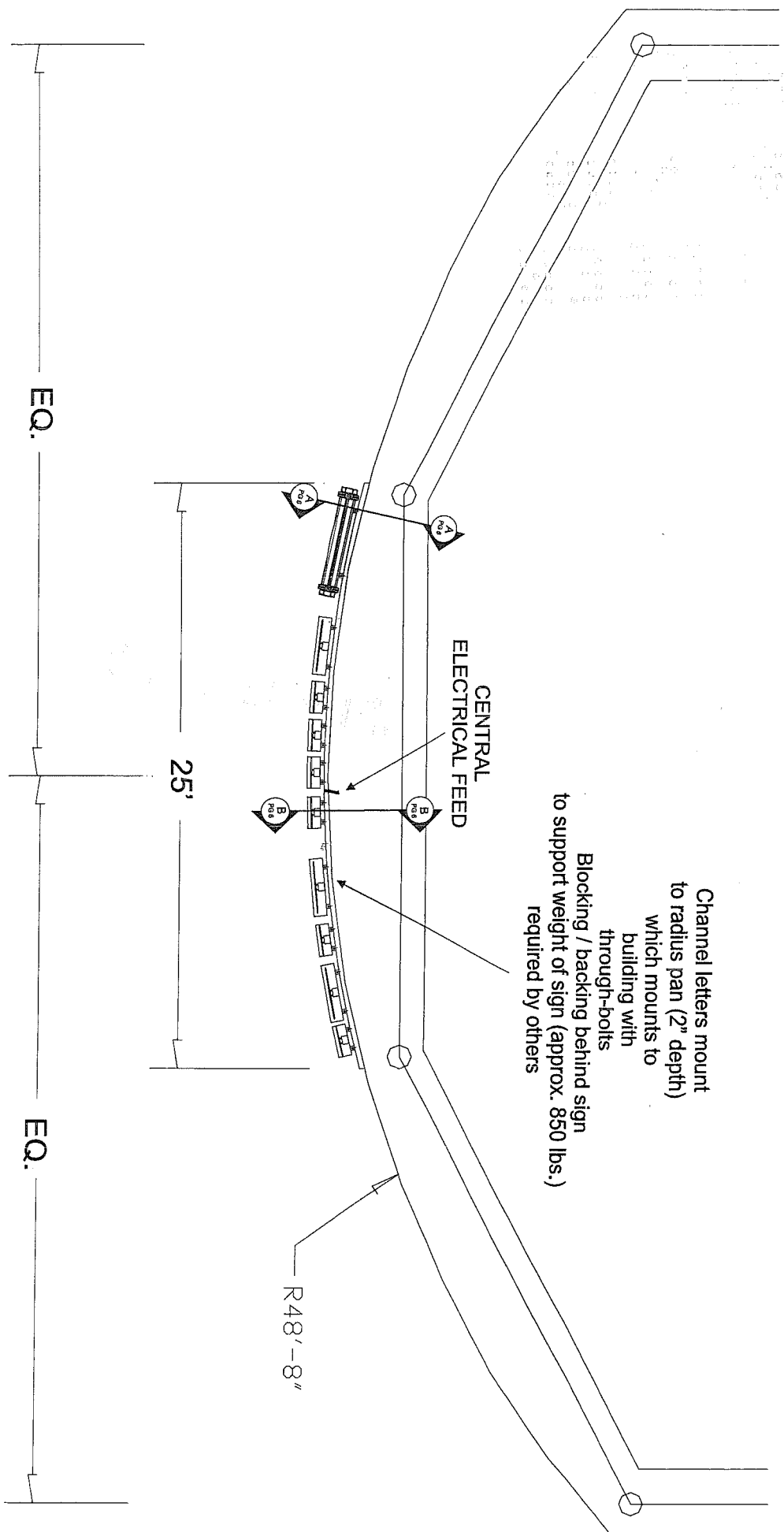


Section B-B
Scale: none

United Sign Systems
PH. 888-704-1516

CLIENT:	VISTA BMW
LOCATION:	COCONUT CREEK
DATE:	REV 10-20-03
DRAWING #:	BMW-VISTA-06
APPROVED BY:	Checked By
DRAWN BY:	DEA

THIS DESIGN IS SUBMITTED AS PART OF OUR PROPOSAL AND IS TO REMAIN OUR PROPERTY EXCLUSIVELY UNTIL ACCEPTED AND APPROVED BY PURCHASER



Channel letters mount to radius pan (2" depth) which mounts to building with through-bolts to support weight of sign (approx. 850 lbs.)

Blocking / backing behind sign required by others

R48'-8"

Plan View at East and West Elevations:
 Vista MINI and Pre-Owned (TYP.)
 Scale: 1/4" = 1'-0"

CLIENT:	VISTA BMW
LOCATION:	COCONUT CREEK
DATE:	4-24-03
DRAWING #:	BMW-VISTA-05
APPENDIX:	Quantity
DRAWN BY:	DEA

PH. 888-704-1516

THIS DESIGN IS SUBMITTED AS PART OF OUR PROPOSAL AND IS TO REMAIN OUR PROPERTY EXCLUSIVELY UNTIL ACCEPTED AND APPROVED BY PURCHASER.