

Project		Date
Type		
Model		

## SBK Series LED Area Light

### Features & Benefits

#### 01. HOUSING

- Die cast aluminum housing.
- Modular design allows for easy installation, replacement and maintenance.
- This design also creates a chimney effect which provides exceptional thermal management.
- IK08 rated.

#### 02. FINISH

- Corrosion resistant polyester powder painted 100µm thickness.
- Meets a 1000-hour salt spray certification per ASTM B117/ ISO 9227:2012.
- Standard colors: Silver, Black, Bronze and White.
- Customized colors are available.

#### 03. LED / OPTICAL ASSEMBLY / FWC / IDA

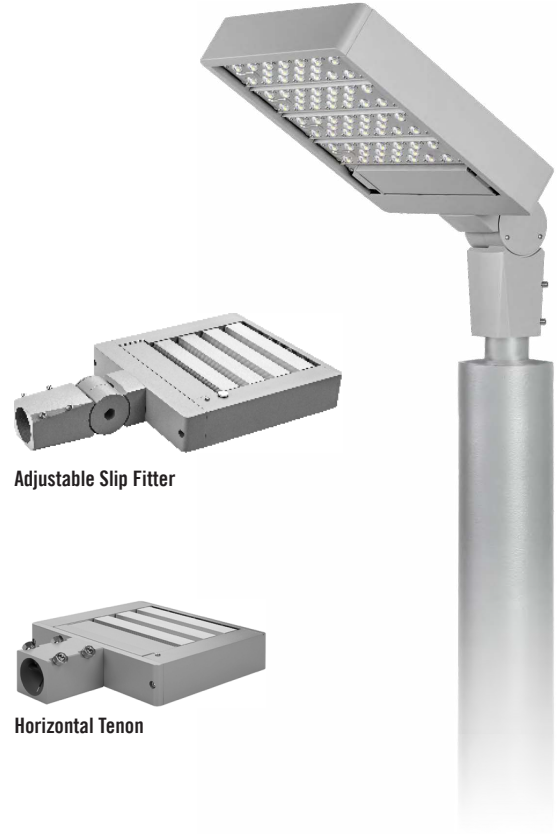
- Each PCB are mounted with a TVS (Transient Voltage Suppressors) to protect the LEDs from voltage transients induced by lightning and other transient voltage events.
- High-uniformity LED optics are constructed of durable optical polycarbonate that is impact and UV resistant.
- The metal plate provides double protection for the LED light engine and prolongs LED optics life.
- Over 20 optical lenses are available for virtually any application.
- Each LED module are 100% tested prior to assembly which is IP67 rated.
- FWC Certification, AMBER light Turtle friendly.
- IDA Certification requires 30K CCT or lower and for fixture to be fixed mount at 90°

#### 04. MOUNTING

- Side-entry or post-top mounting.
- Slipfitter with +/- 90 degree of adjustment for leveling.
- Adjustable for 1 5/8-2 3/8" (42mm-60mm) O.D. tenon.
- Interchangeable with standard brackets.

#### 05. ELECTRICAL / KEY COMPONENTS / CONTROLS

- 120-277VAC and 347-480VAC available.
- Surge protection to 20kV/10kA per ANSI/IEEE C62.41.2-2002 available.
- High quality LEDs, driver and components, e.g. MOLEX, WAGO connectors.
- Multiple lighting control options are available, e.g. DALI, 1-10V.



Adjustable Slip Fitter

Horizontal Tenon

### ORDER INFORMATION

EXAMPLE: SBK-16-120W-50K-3M1-Y-SV



Series	Mount	Wattage	CCT	Optics	Voltage	Finish
SBK	16=Slip Fitter	30W	30K = 3000K	2M1 T5U	Y = 120-277V	SV = Silver BZ = Bronze** BK = Black** WH = White**
		60W	40K = 4000K	3M1 T5V	HV = 347-480V**	
	24=Horizontal Tenon	90W	50K = 5000K	3L1 T5W		
		120W	4M1 T5S			
		150W	4S1 T5X			
		180W	5M1 T5D			
		210W	5L1			
		240W				
	270W					
	300W					

Enter configuration:

\*\* Special Order