


Landlord *[Signature]*
Tenant *[Signature]*

 - Crosshatched area indicates location of "Leased Premises" (per Section 1.01)

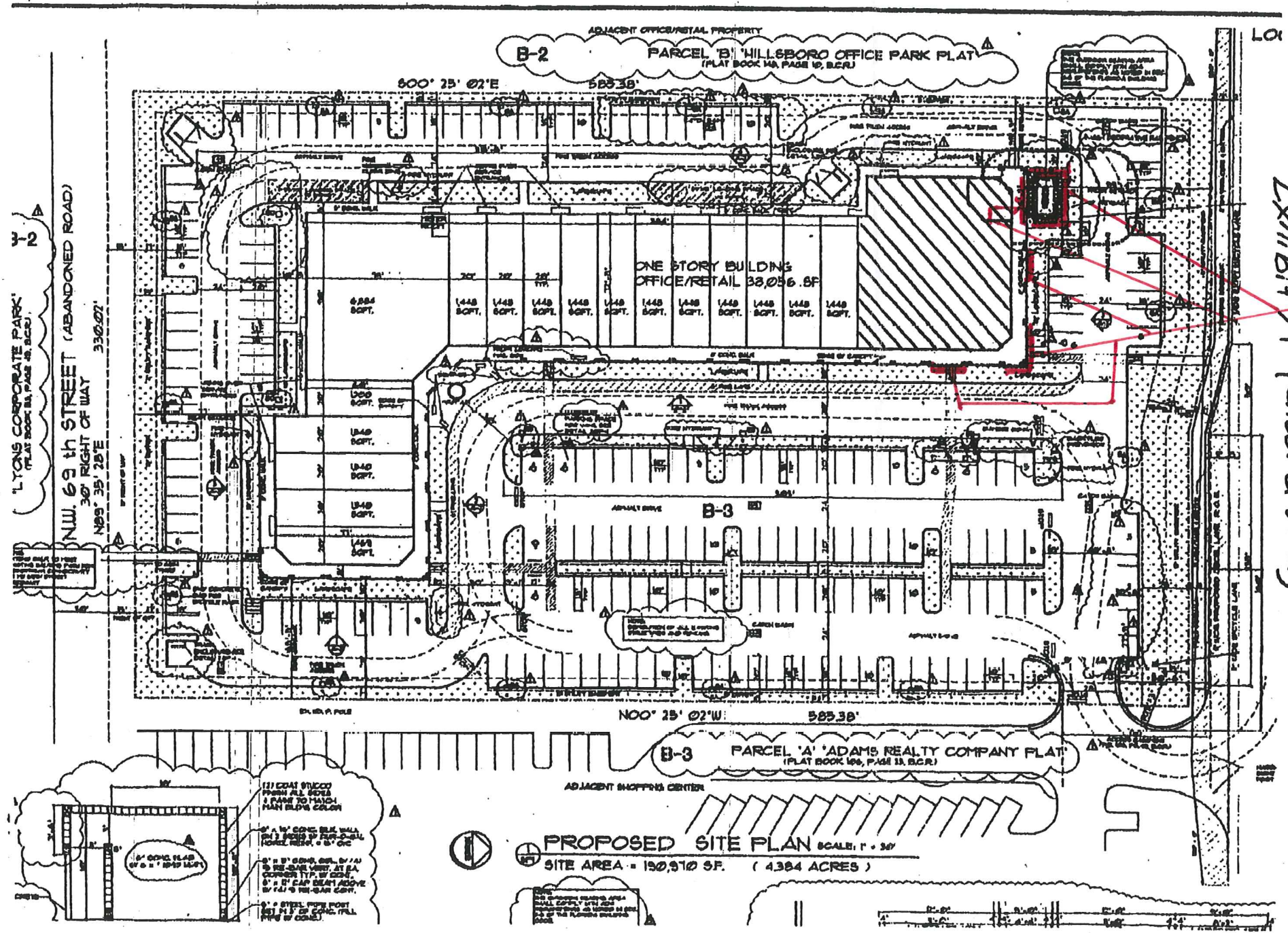
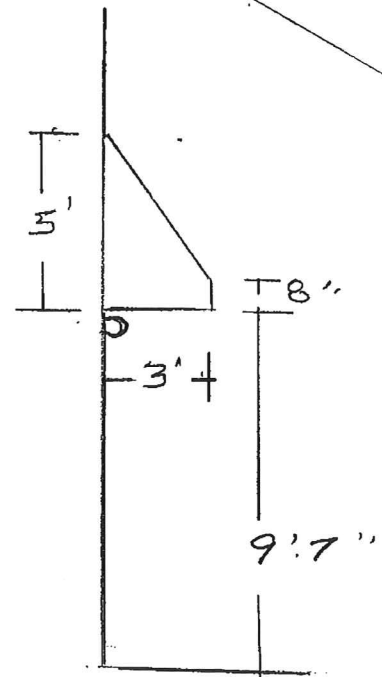
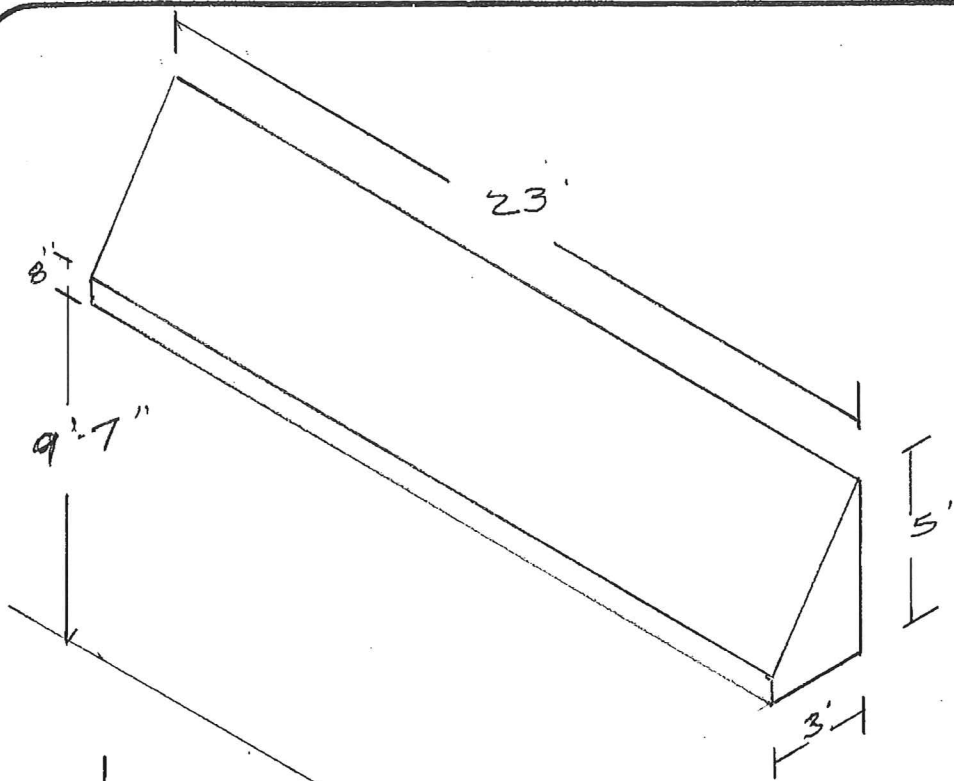


Exhibit 'A' (Sheet 2 of 2)
AWNINGS

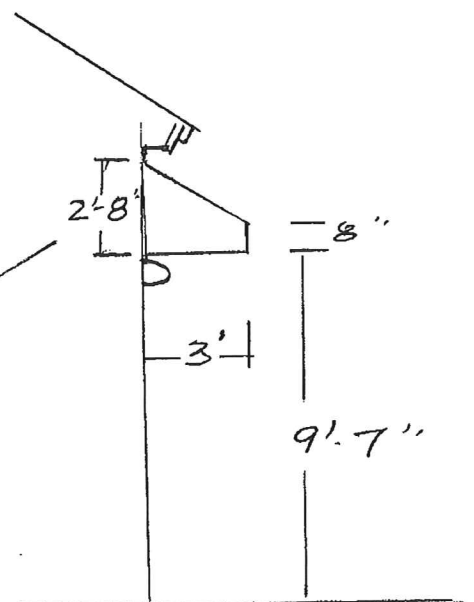
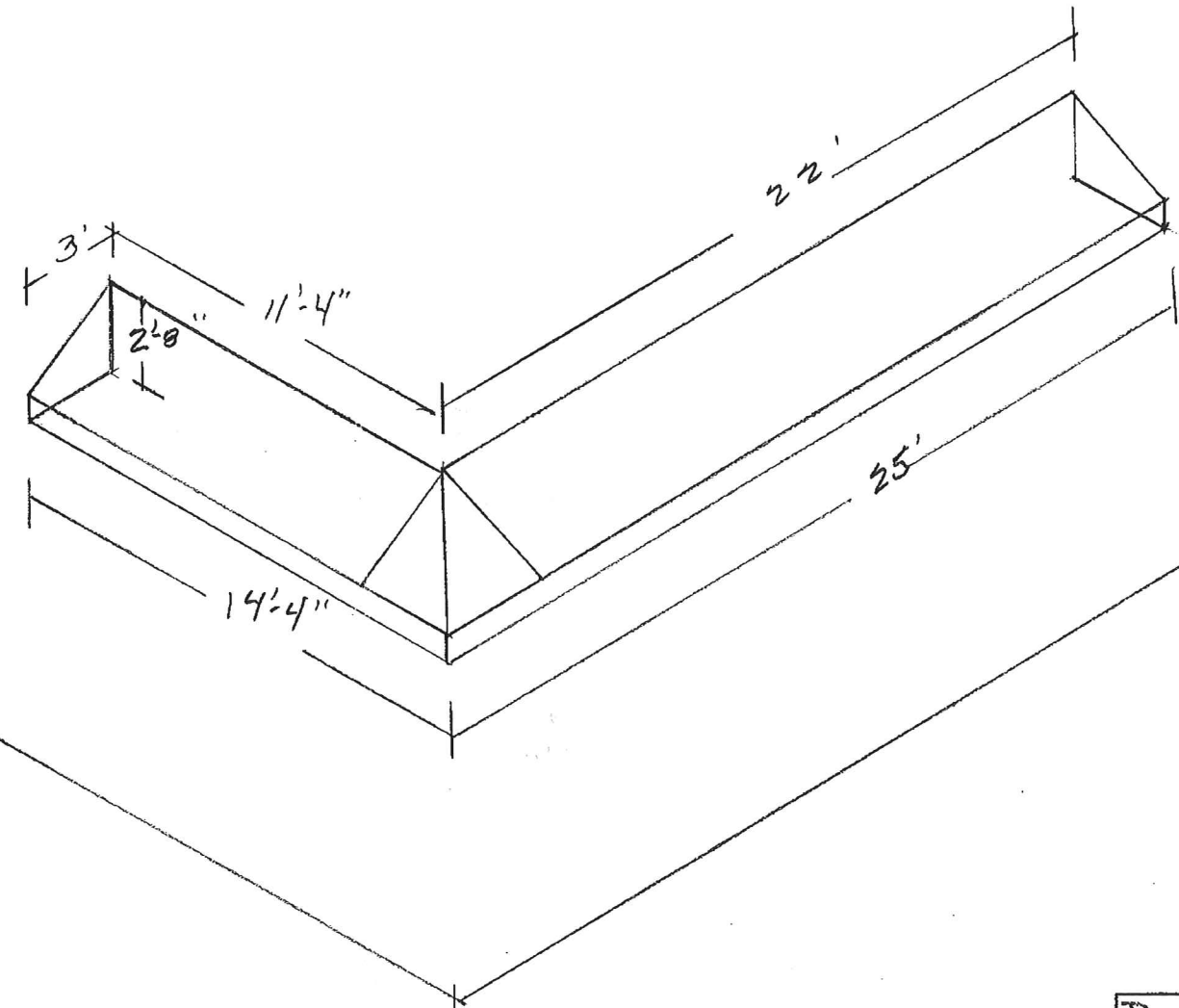
DUFFY'S SPORTS GRILL
4800 W. Hillsboro Blvd
COCONUT CREEK, FL
33073

APPROVED
DATE: *5/24/10* BY: *[Signature]*
ADMINISTRATIVE APPROVAL



EAST ←

→ NORTH



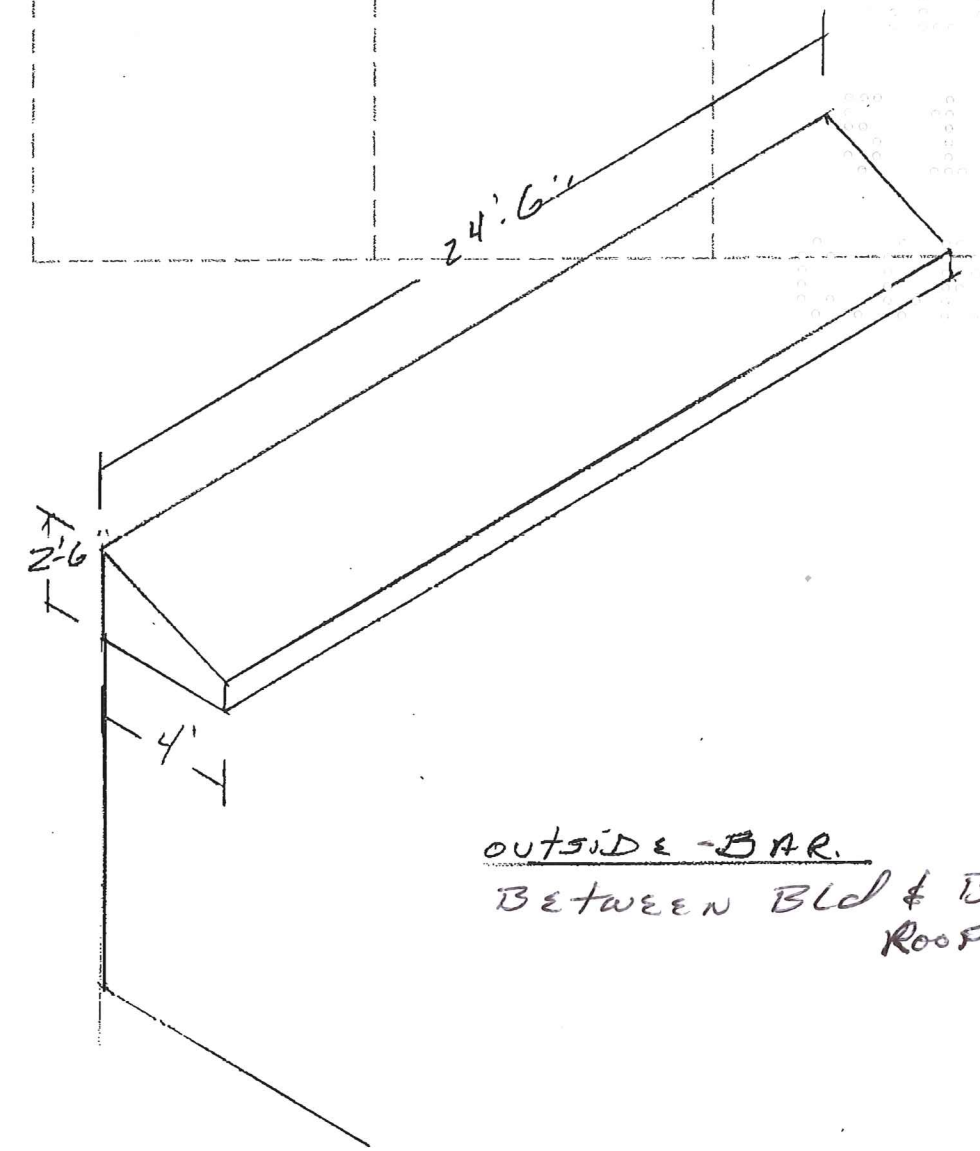
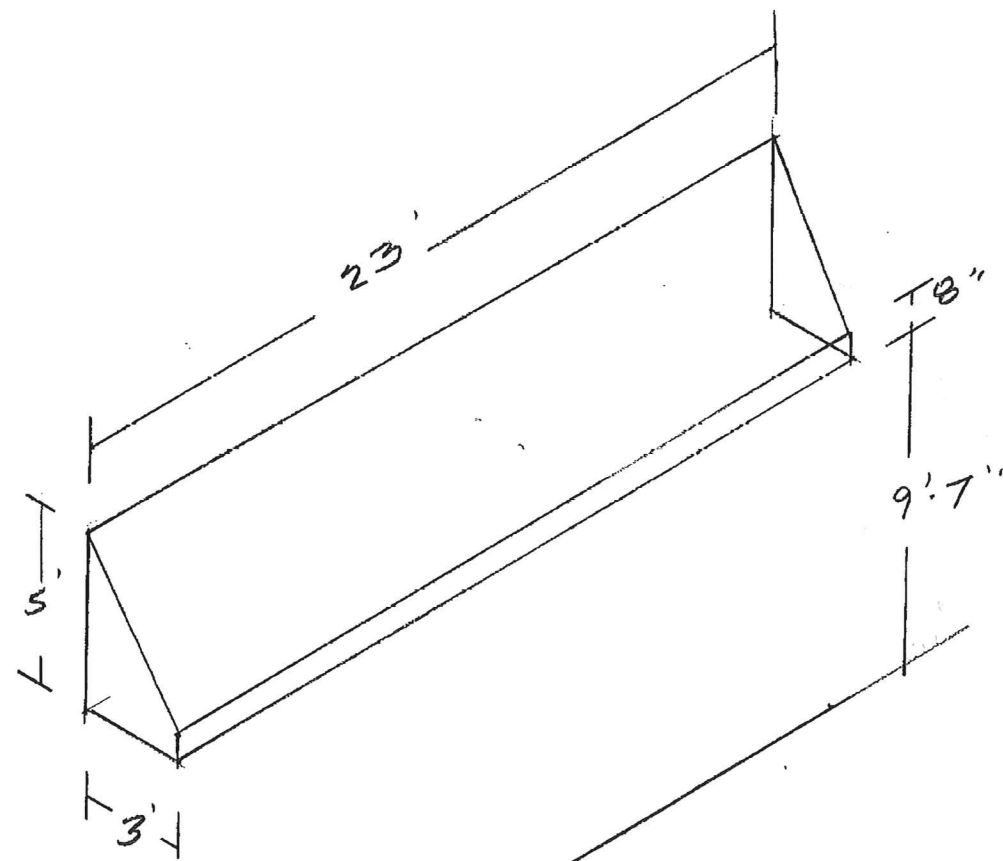
DUFFY'S SPORTS GRILL
 4800 W. Hillsboro Blvd
 COCOANUT CREEK, FL

No. of Frames	Heading	F.B. Truss Pipe	Rafters	Spreader Pipe	Lace Pipe	Standards
B.H.	Header Pipe	Truss Size O.A.	Projections	Bows	V-Truss Pipe	Concrete Footer Size
F.H.	Front Bar	Ridge Pipe	Up Right Braces	Purlins	Center Truss (T) (B)	Base Flange

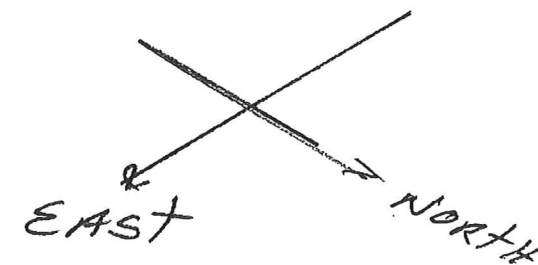


Palm Beach Area (561) 832-7123
 Florida Watts 1-800-427-4865
 Fax (561) 833-9602

537 Pine Terrace
 West Palm Beach
 Florida 33405



outside-BAR.
BETWEEN Bld & BAR
Roof



DUFFY'S SPORTS GRILL
4800 W. Hillsboro BLVD
COCONUT CREEK, FL

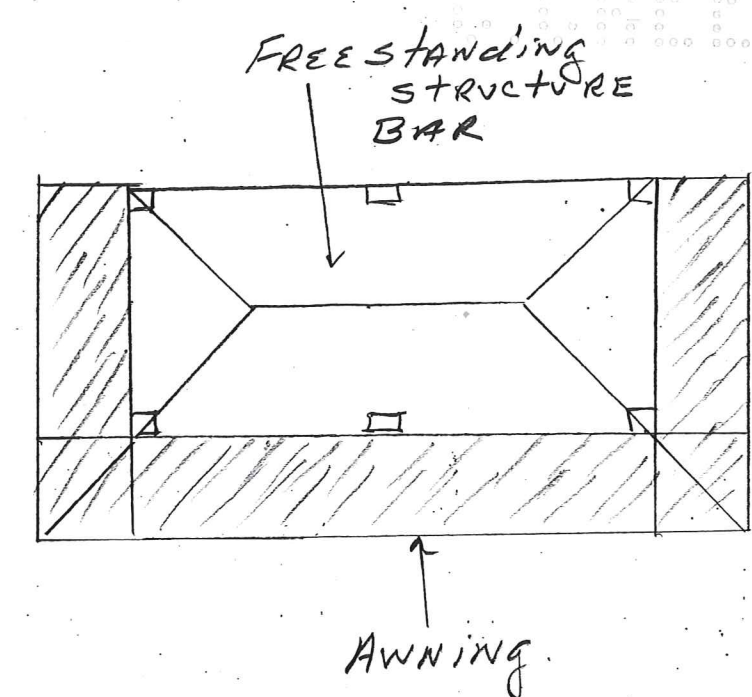
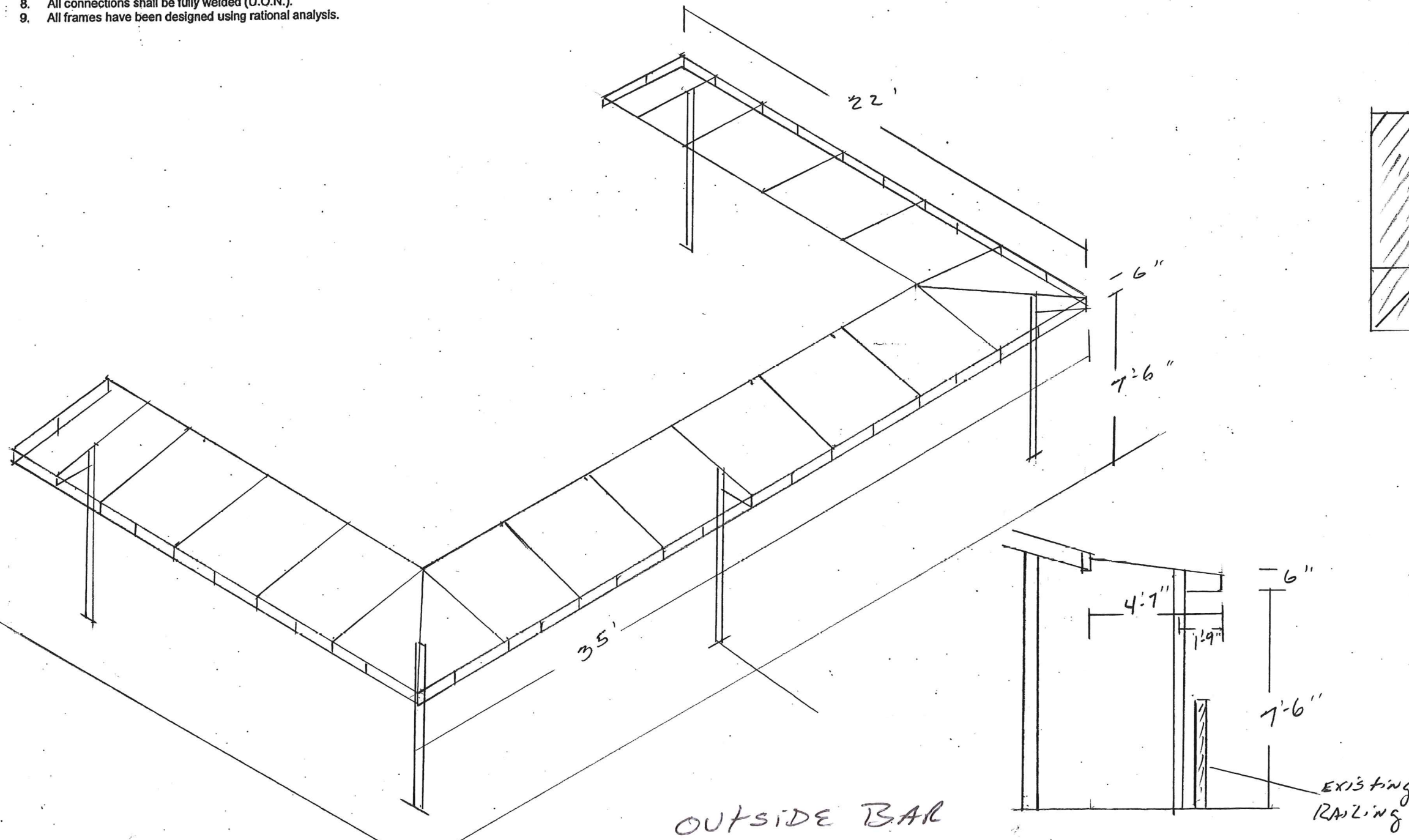
No. of Frames	Heading	F.B. Truss Pipe	Rafters	Spreader Pipe	Lace Pipe	Standards
B.H.	Header Pipe	Truss Size O.A.	Projections	Bows	V-Truss Pipe	Concrete Footer Size
F.H.	Front Bar	Ridge Pipe	Up Right Braces	Purlins	Center Truss (T) (B)	Base Flange



Palm Beach Area (561) 832-7123 537 Pine Terrace
Florida Watts 1-800-427-4865 West Palm Beach
Fax (561) 833-9602 Florida 33405

GENERAL NOTES:

1. All pipe shall be ASA Schedule 40, galvanized.
2. All other material shall be A36 steel (U.O.N.).
3. All welds shall comply with A.W.S. code (latest edition).
4. Cover all welds with corrosion resistant coating.
5. All structures designed in accordance with Section 31 and Section 16 of the Florida Building Code (2007 w/2009 supplement).
6. Awning covers shall be removed in periods of high winds: specifically winds in excess of 75 m.p.h. (90 m.p.h. - 3 second gust)
7. Frames without fabric will sustain 150 m.p.h. winds (3 second gust).
8. All connections shall be fully welded (U.O.N.).
9. All frames have been designed using rational analysis.



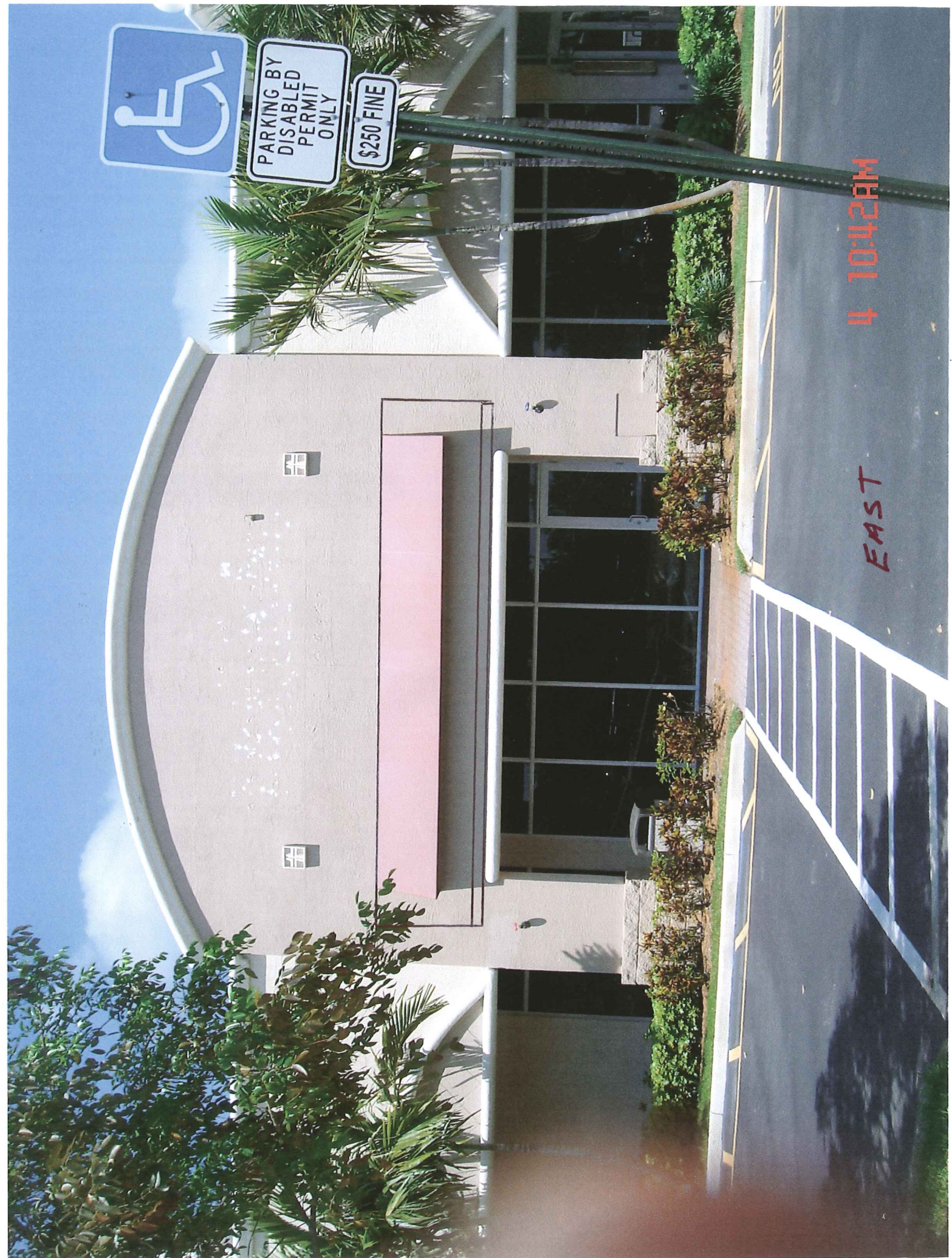
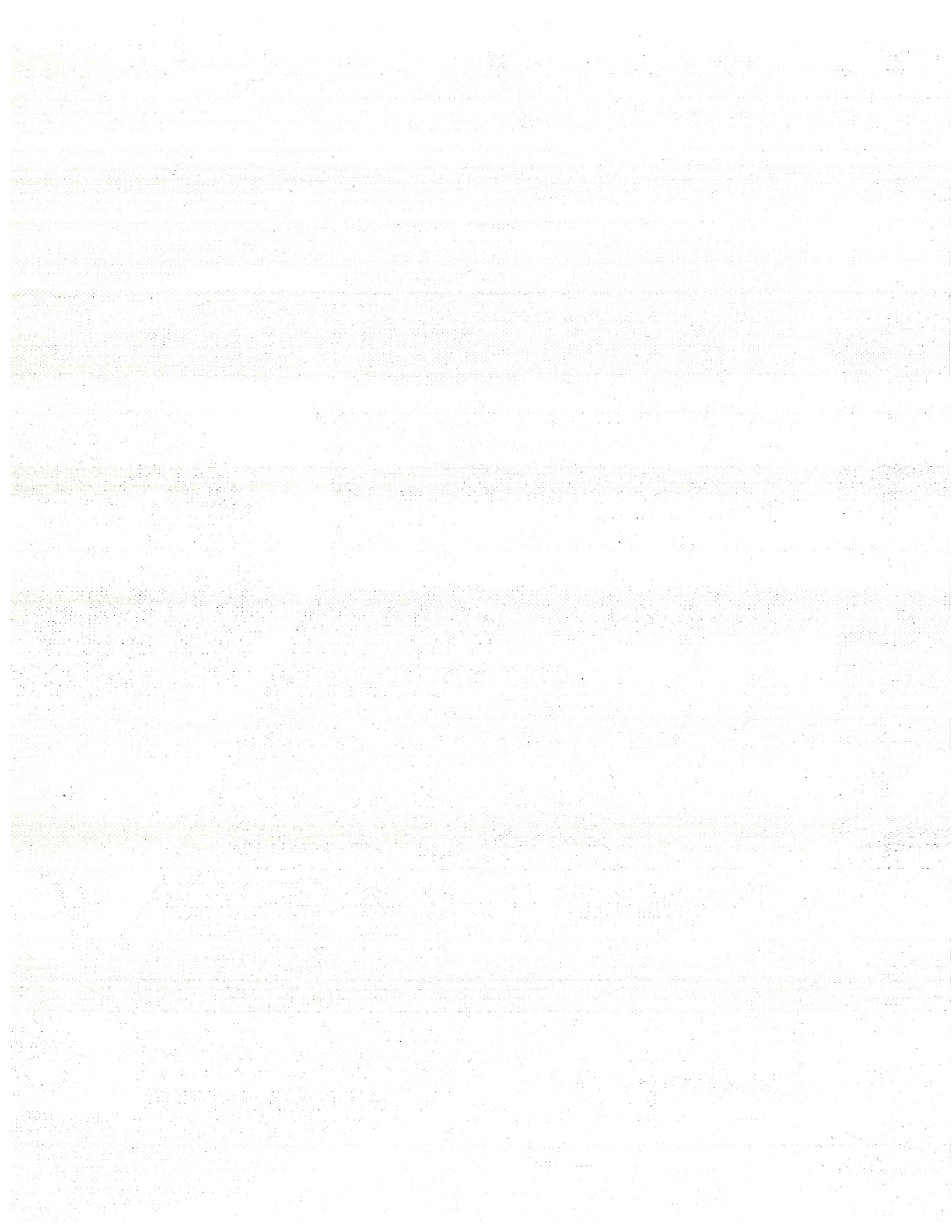
Leonard A. Tylka Jr.
FL. License No. 31738

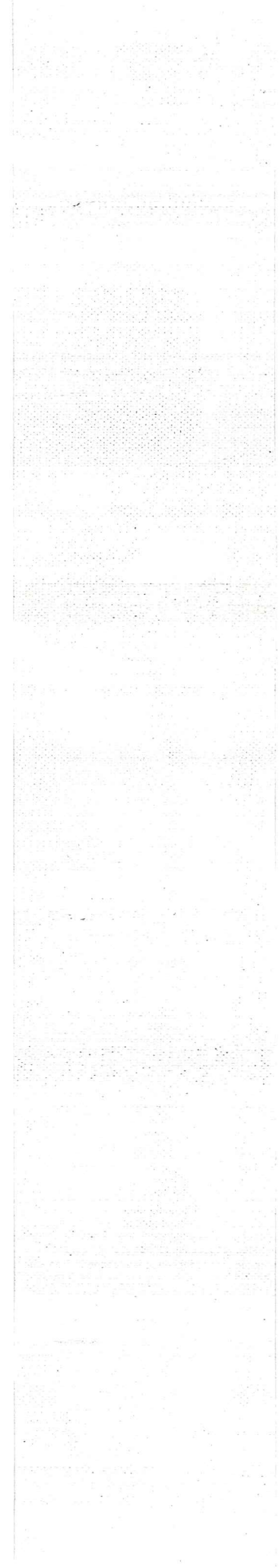
STRUCTURAL ENGINEER:
LTL Associates, Inc.
5725 Corporate Way, Suite 202
West Palm Beach, Florida 33407
(561) 478-1845
Certificate of Authorization #6116

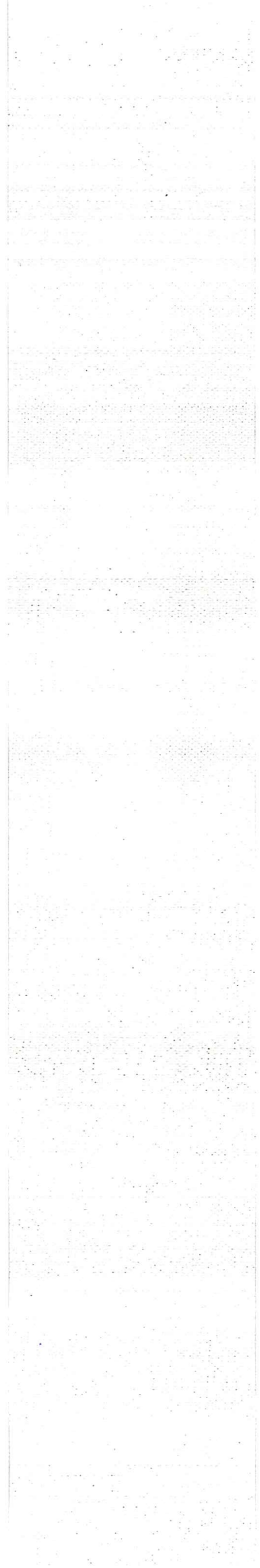
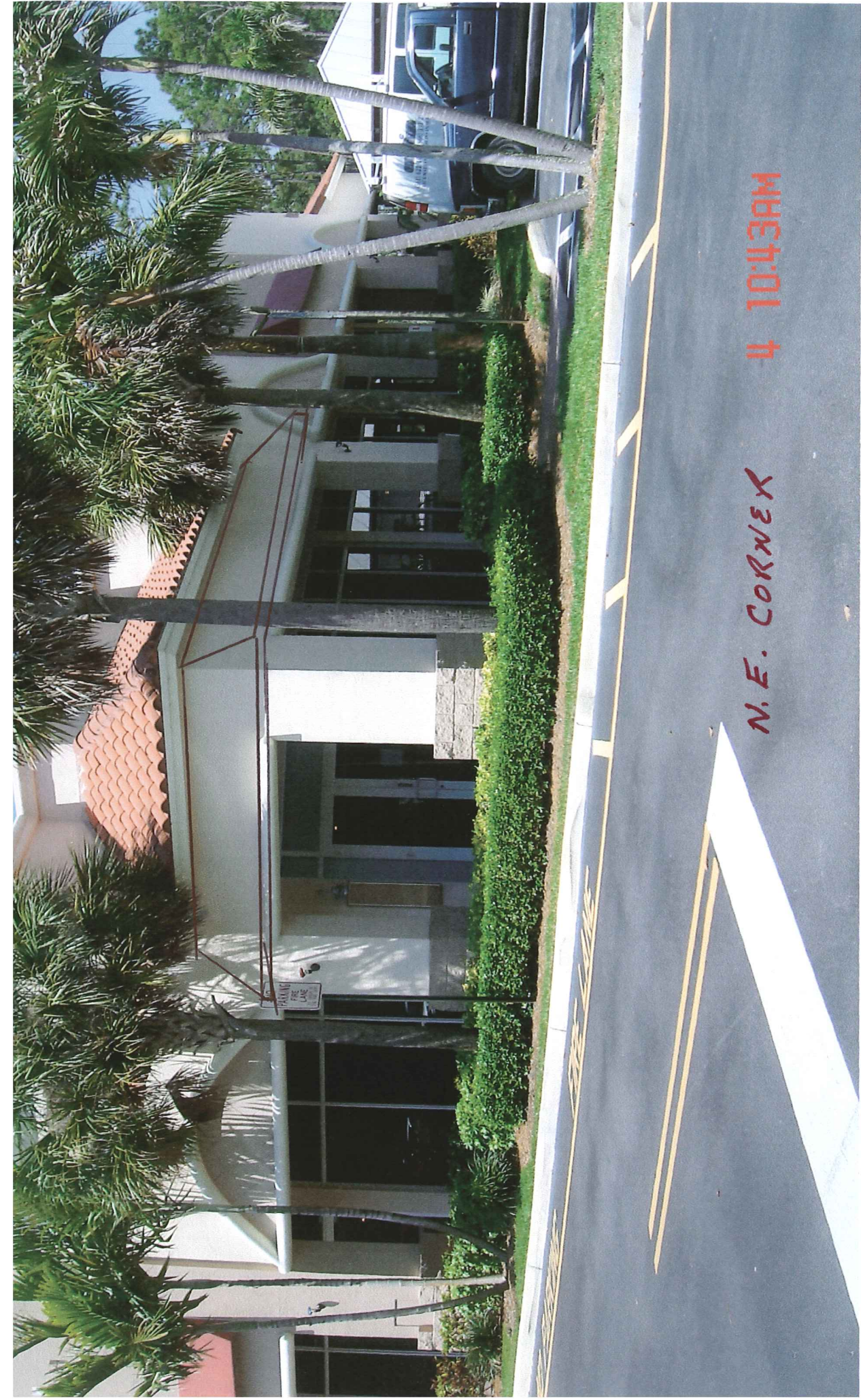
DUFFY'S SPORTS GRILL
4800 W. Hillsboro BLVD
COCONUT CREEK, FL

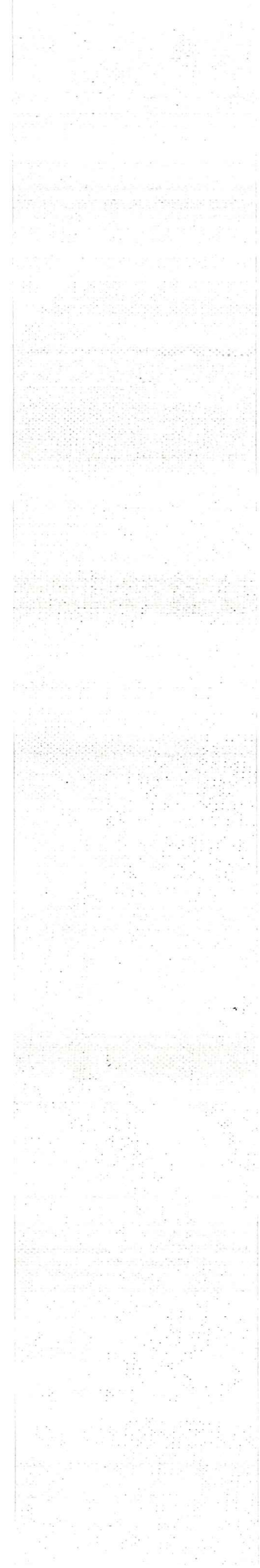
No. of Frames	Heading	F.B. Truss Pipe	Rafters	Spreader Pipe	Lace Pipe	Standards
B.H.	Header Pipe	Truss Size O.A.	Projections	Bows	V-Truss Pipe	Concrete Footer Size
F.H.	Front Bar	Ridge Pipe	Up Right Braces	Purlins	Center Truss (T) (B)	Base Flange

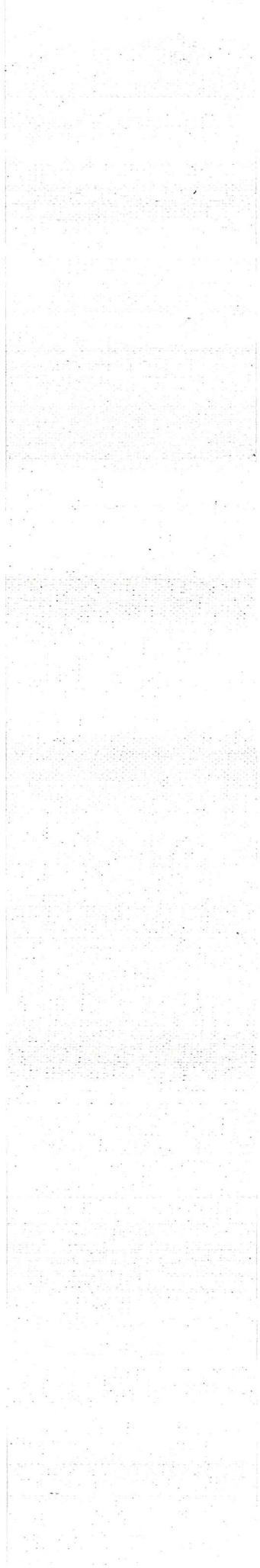
AMERICAN AWNING COMPANY, INC.
Palm Beach Area (561) 832-7123
Florida Watts 1-800-427-4865
Fax (561) 833-9602
537 Pine Terrace
West Palm Beach
Florida 33405













Certificate of Flame Resistance

#2



REGISTERED
APPLICATION
CONCERN No.

F-06901

ISSUED BY
HERCULITE PRODUCTS, INC.
PO BOX 435
EMIGSVILLE PA 17318

-000-0000

Date Work Performed

4/08/10

This is to certify that the materials described on the reverse side hereof have been flame-retardant treated (or are inherently nonflammable).

FOR TRI VANTAGE, LLC AT 2937 WEST 25th STREET

CITY CLEVELAND STATE OHIO 44113

Certification is hereby made that: (Check "a" or "b")

(a) The articles described at the bottom of this Certificate have been treated with a flame-retardant chemical approved and registered by the State Fire Marshal and that the application of said chemical was done in conformance with the law of the State of California and the Rules and Regulations of the State Fire Marshal.

Name of chemical used _____ Chem. Reg. No. _____

Method of application _____

(b) The articles described at the bottom hereof are made from a flame-resistant fabric or material registered and approved by the State Fire Marshal for such use.

Trade name of flame-resistant fabric or material used REINFRCD VINYL Reg. No. F-06901

The flame Retardant Process Used WILL NOT Be Removed By Washing
(will or will not)

PETER COHEN Name of Production Superintendent By STEPHANIE MUMMERT, Q C MANAGER Title

We hereby certify this to be a true copy of the original "CERTIFICATE OF FLAME RESISTANCE" issued to us, "original copy" of which has been filed with the California State Fire Marshal.

TRI VANTAGE, LLC

By Albert E. Johnson

25,000 YD

Control/lot # 13410 Quantity
Customer order # 39478543 Description *NON* WEBLON VANGUARD P-500 DESIGNER WHITE
Tri Vantage, LLC Invoice # Product Code 857991

AMERICAN AWNING COMPANY
537 PINE TER
WEST PALM BEACH FL 33405-2697