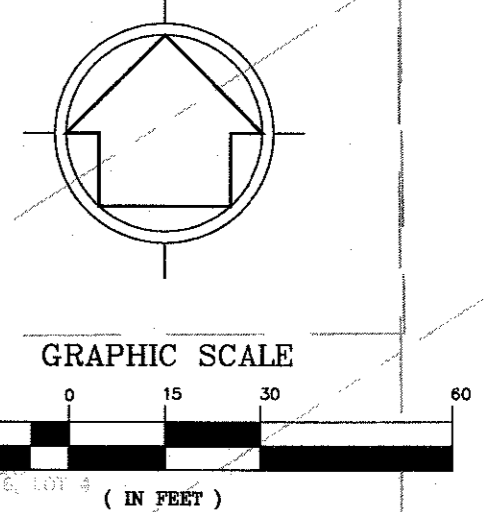
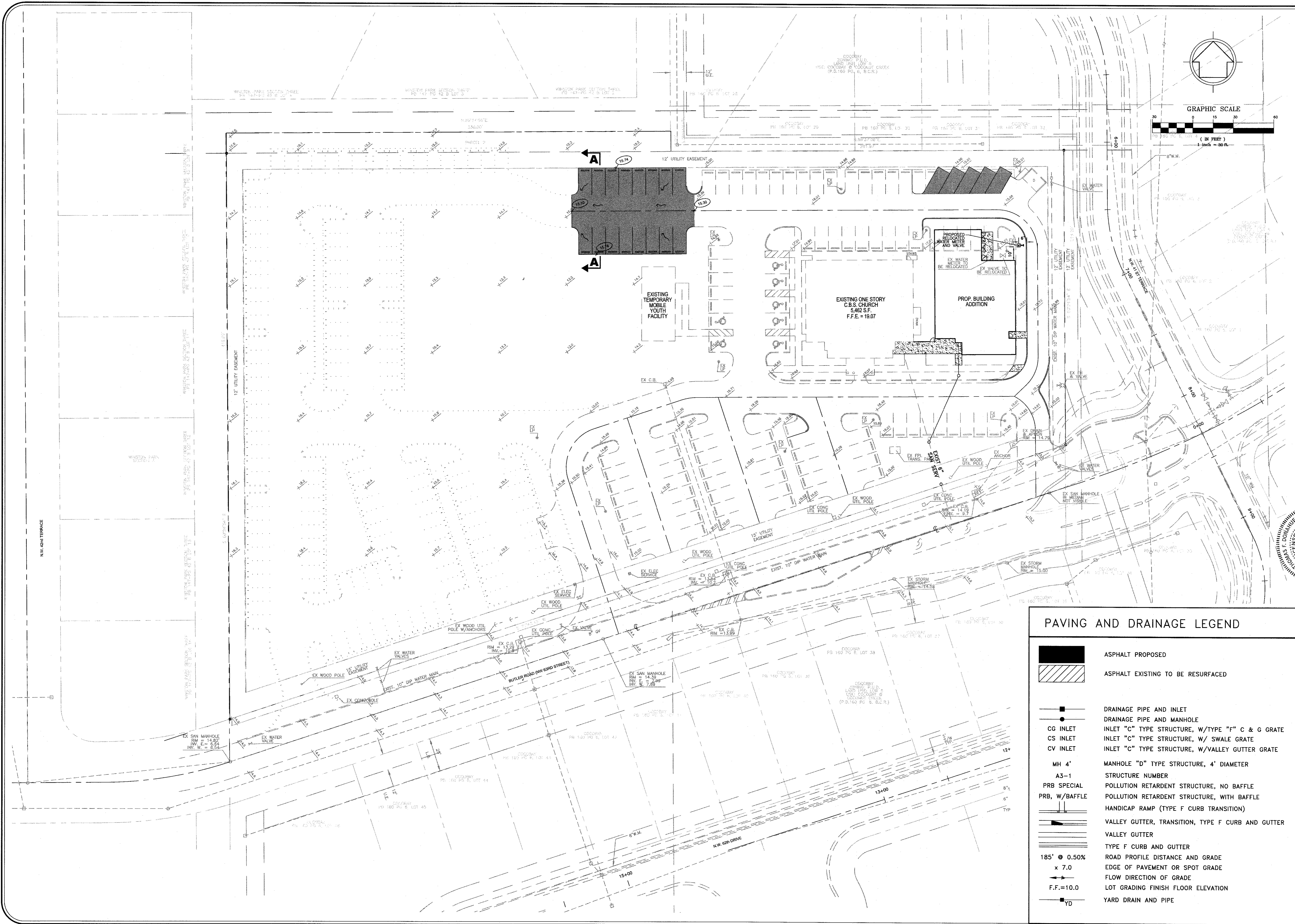


J:\2014\4.5.9 Drawings\Sheet\paving\2014\_4\_5\_9\_paving.dwg 04-DRN Oct 25, 2011-11:04am gpanet



**PAVING AND DRAINAGE LEGEND**

- ASPHALT PROPOSED
- ASPHALT EXISTING TO BE RESURFACED
- DRAINAGE PIPE AND INLET
- DRAINAGE PIPE AND MANHOLE
- CG INLET  
INLET "C" TYPE STRUCTURE, W/TYPE "F" C & G GRATE
- CS INLET  
INLET "C" TYPE STRUCTURE, W/ SWALE GRATE
- CV INLET  
INLET "C" TYPE STRUCTURE, W/VALLEY GUTTER GRATE
- MH 4'  
MANHOLE "D" TYPE STRUCTURE, 4' DIAMETER
- A3-1  
STRUCTURE NUMBER
- PRB SPECIAL  
POLLUTION RETARDANT STRUCTURE, NO BAFFLE
- PRB, W/BAFFLE  
POLLUTION RETARDANT STRUCTURE, WITH BAFFLE
- V  
HANDICAP RAMP (TYPE F CURB TRANSITION)
- VG  
VALLEY GUTTER, TRANSITION, TYPE F CURB AND GUTTER
- V  
VALLEY GUTTER
- TF  
TYPE F CURB AND GUTTER
- 185'  
ROAD PROFILE DISTANCE AND GRADE
- x 7.0  
EDGE OF PAVEMENT OR SPOT GRADE
- F.F.  
FLOW DIRECTION OF GRADE
- 10.0  
LOT GRADING FINISH FLOOR ELEVATION
- YD  
YARD DRAIN AND PIPE

<b>IBI GROUP, INC.</b>	
ENGINEERS CERT. OF AUTH. #2886 SURVEYORS AS/LS/ES/IO	PLANNERS LANDSCAPE ARCHITECTS ENVIRONMENTAL CONSULTANTS
2200 PARKWAY DRIVE, SUITE C POMPANO BEACH, FLORIDA 33064 (954) 974-2200	
<b>IBI GROUP</b>	
DRAWN: CMP	DESIGNED: EG
CHECKED: TFD	DATE: 08/22/11
<b>WINSTON PARK CHURCH COCOBAV PAVING AND DRAINAGE PLAN COCOONUT CREEK FLORIDA</b>	
SCALE 1"=30'	
PROJECT NUMBER 20144	
SHEET 4 OF 5	