



WaMuREBRANDING



CONVERSION PROGRAM

CHECK LIST

October 29, 2009

6500 N State Rd 7
Coconut Creek, FL 33073-3623

PID W1754

PARKLAND

Revision Notes

1. #11 and #12 Swap Signs, #13 and #14 Change copy, Add #28, Change to Site plan and sign schedule.	2/12/09 dh
2. Added awnings, added 2nd ATM surround	5/15/09 JLF
3. Removed one ATM	5/29/09
4. Added envelope holders .	06/10/09 MAR
5. Please add all engineering, fabrication, attachment, and footer details to the drawings.	07/14/09 JLM
6. added temp signs	07/23/09 ch
7. rev. channel letter sizes, oah of directionals & make regulatory signs remain. added specs to make sign link compliant	10/29/09 rr

- Drawing has correct PID Number & Address
- Correct drawing number or revision number is displayed
- Signs that are (morphed) onto photographs are properly scaled based on provided survey information
- Drawing has been spell checked
- Sign Schedule and description notes match what is being proposed
- Site schedule matches site plan & drawing pages
- Family of Signs was utilized for proper referencing and general material callout references
- Most current drawing date is displayed
- Proper orientations for all signs are called out (side a - side b - etc...)
- Custom Signs are identified as a "-CUST" in the sign schedule
- Drawing pages are in the correct order and the correct overall page count is correct
- All letter & logo sizes are called out for replacement faces
- Branding matches engineering (if applicable)
- Engineering specifications are all current to latest manufacturing release & copies of those spec pages are included in this drawing packet
- Confirm disconnect switches are called out for all illuminated signs

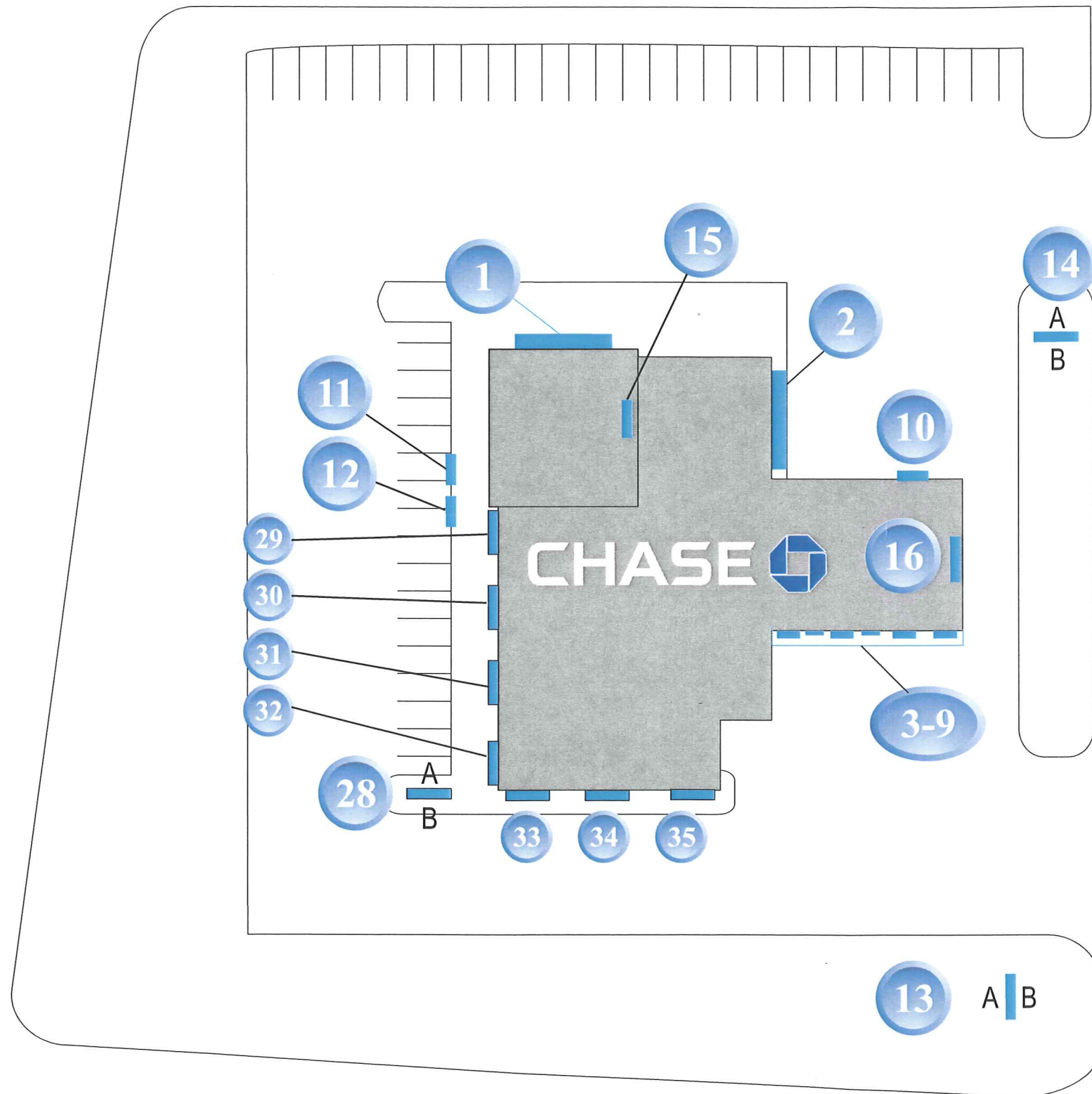
APPROVED

DATE: 10/15/09 BY:

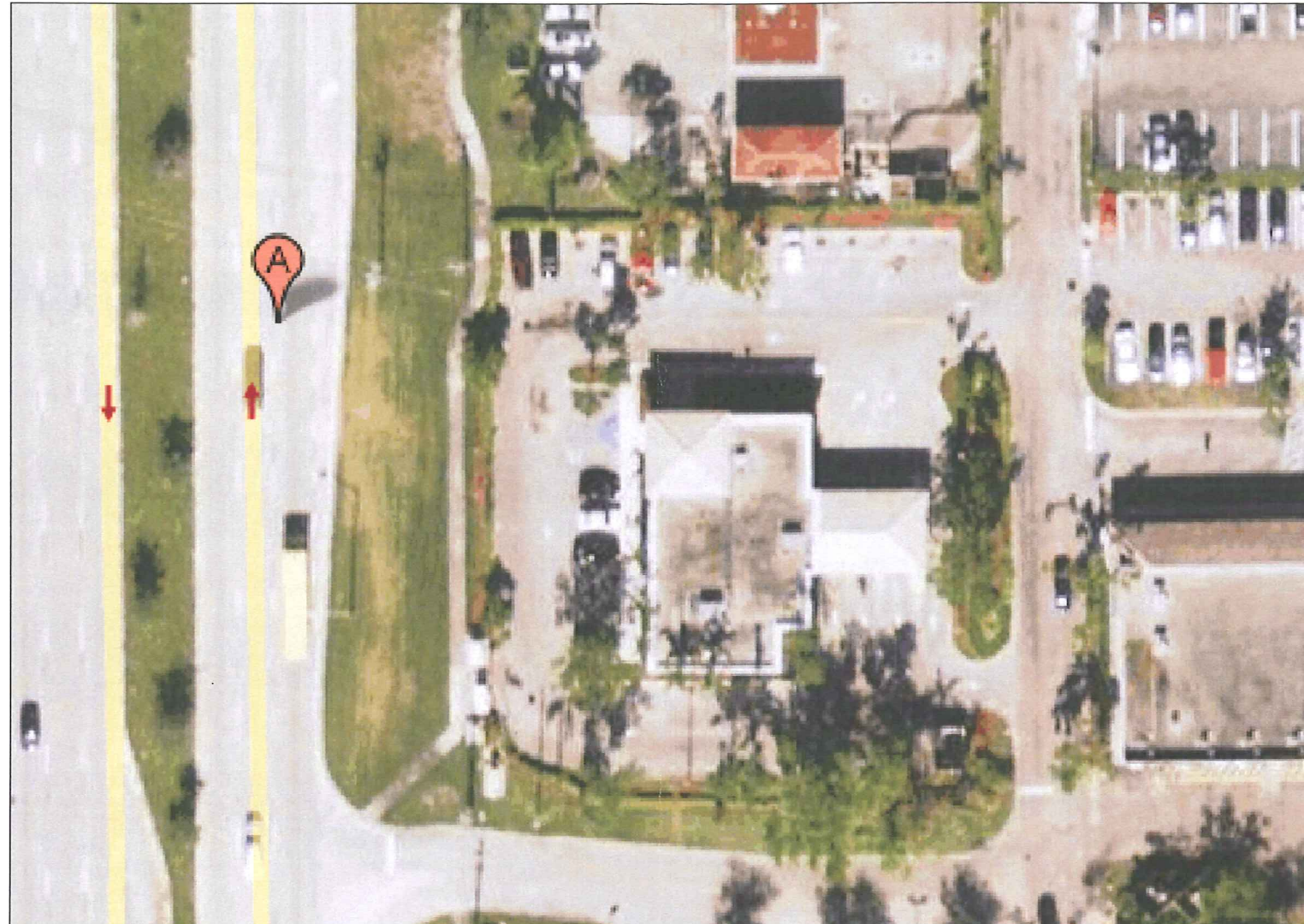
ADMINISTRATIVE APPROVAL

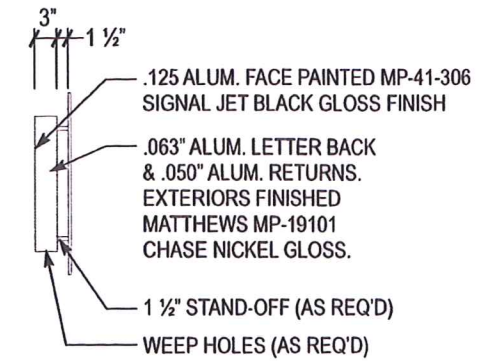
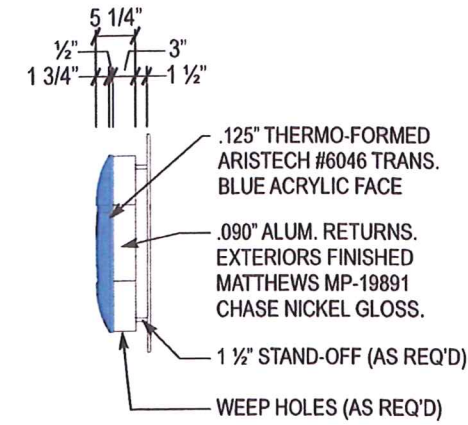
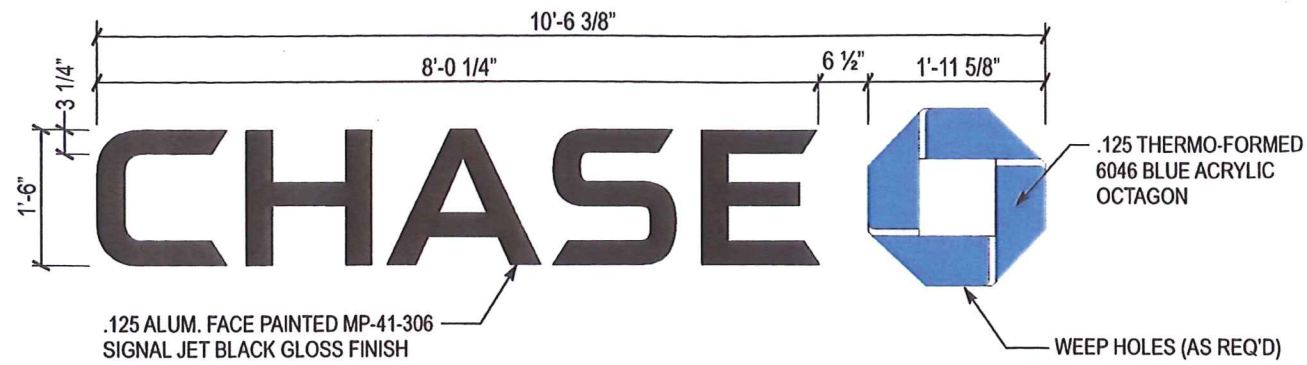
Designer RR

Project Manager



SIGN SCHEDULE			
Proposed Sign Inventory			
Site #	#	Sign Code	Description
W 1754	1	LIH-BLK-18	Channel Letters
W 1754	2	LIH-BLK-18	Channel Letters
W 1754	3	TC-3-W	Clearance
W 1754	4	TC-3-W	Clearance
W 1754	5	TC-3-W	Clearance
W 1754	6	DU-B	Lane Designator
W 1754	7	DU-B	Lane Designator
W 1754	8	DU-B	Lane Designator
W 1754	9	DU-C	Lane Designator
W 1754	10	TC-W-H	Regulatory
W 1754	11	REMAIN	REMAIN
W 1754	12	REMAIN	REMAIN
W 1754	13	D-5-CUST	Directional
W 1754	14	D-5-CUST	Directional
W 1754	15	SUR-TTW-U	ATM surround
W 1754	16	TOP-FS-DU	ATM Topper
W 1754	17	OBE	Bollards
W 1754	18	REMOVE	Remove
W 1754	19	REMOVE	Remove
W 1754	20	REMOVE	Remove
W 1754	21	REMOVE	Remove
W 1754	22	REMOVE	Remove
W 1754	23	REMOVE	Remove
W 1754	24	REMOVE-RESTORE	Remove and Restore
W 1754	25	REMOVE-RESTORE	Remove and Restore
W 1754	26	REMOVE-RESTORE	Remove and Restore
W 1754	27	REMOVE-RESTORE	Remove and Restore
W 1754	28	D-5-CUST	Directional
W 1754	29	FFA-CUST	Awning
W 1754	30	FFA-CUST	Awning
W 1754	31	FFA-CUST	Awning
W 1754	32	FFA-CUST	Awning
W 1754	33	FFA-CUST	Awning
W 1754	34	FFA-CUST	Awning
W 1754	35	FFA-CUST	Awning
W 1754	36	ENV-HLDR	Temp Envelope Holder
W 1754	37	ENV-HLDR	Temp Envelope Holder
W 1754	38	B-26-CUST	Temporary
W 1754	39	B-26-CUST	Temporary
W 1754	40	V-TEMP-80	Temporary
W 1754	41	V-TEMP-SM TOPPER	Temporary



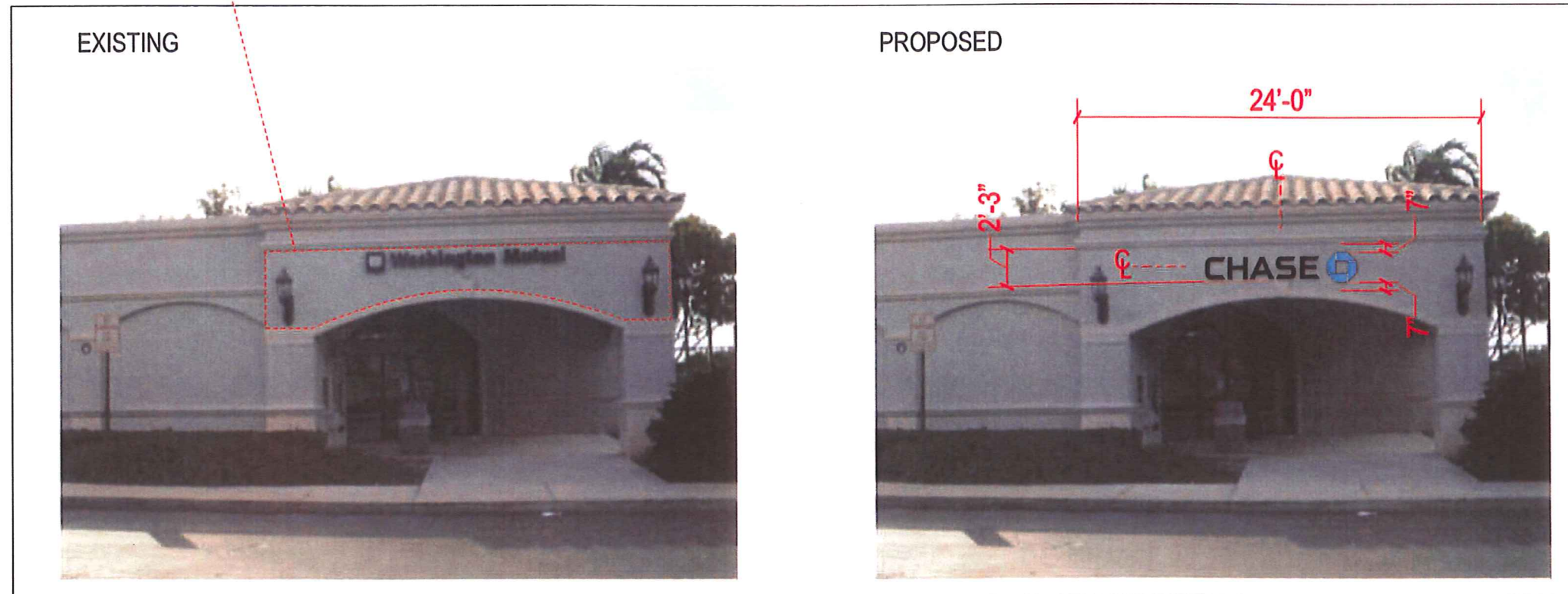


1 HALO ILLUMINATED CHANNEL LETTERS LIH-BLK-18 - ELEVATION
SCALE: 1/2" = 1' 0"

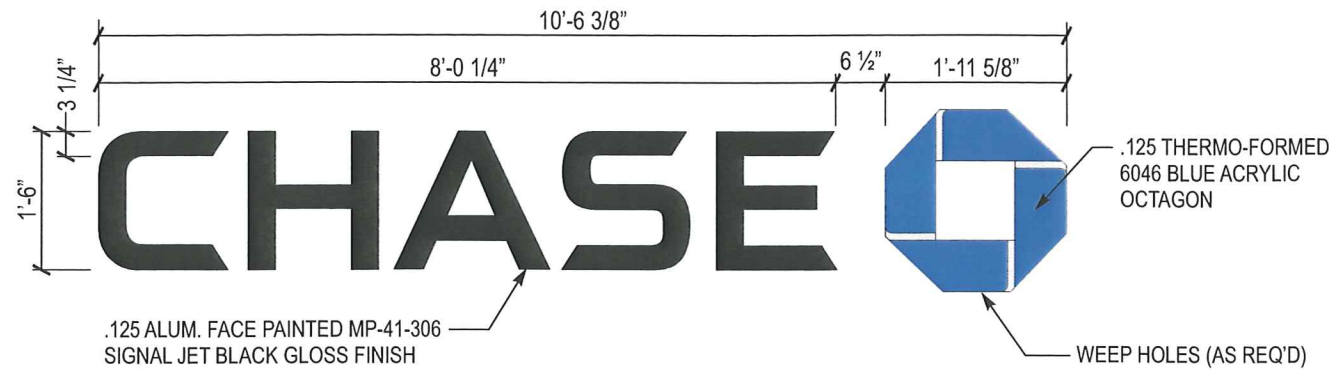
OCTAGON - SIDE VIEW
SCALE: 1/2" = 1' 0"

LETTER - SIDE VIEW
SCALE: 1/2" = 1' 0"

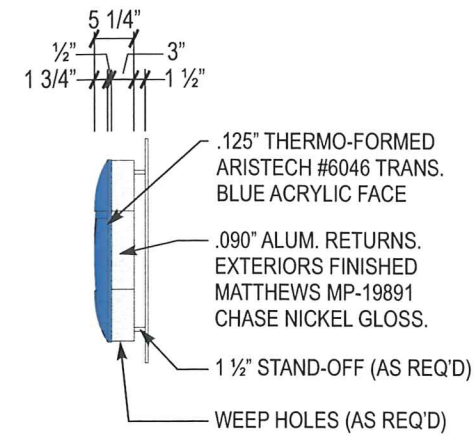
24 RESTORATION - REMOVE-RESTORE
SCALE: NTS



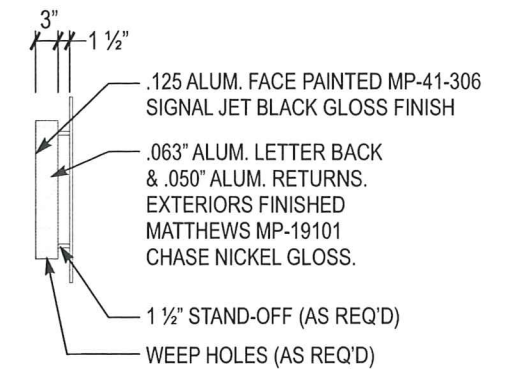
75% OF WALL LENGTH IS 18'-0"
SIGN LENGTH IS 10'-6 3/8"



2 HALO ILLUMINATED CHANNEL LETTERS LIH-BLK-18 - ELEVATION
SCALE: 1/2" = 1' 0"

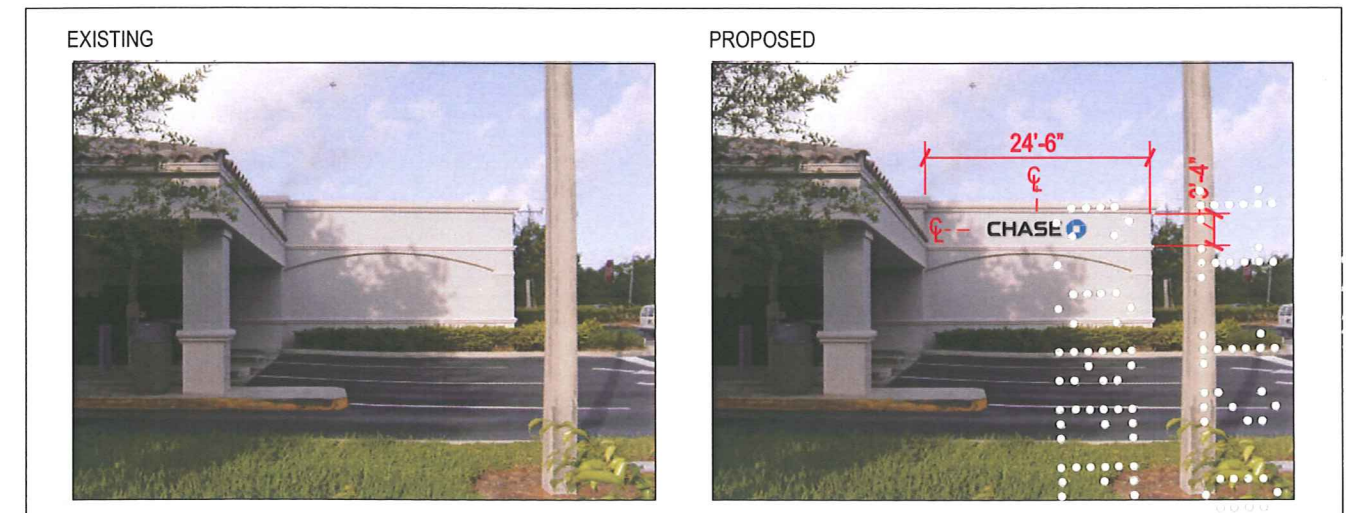


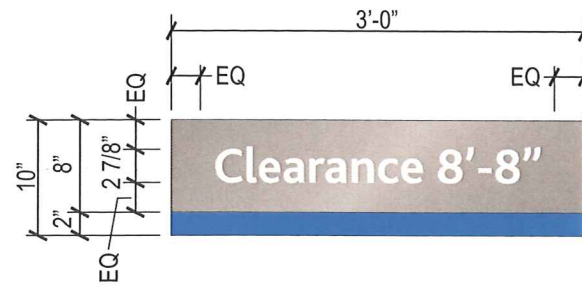
OCTAGON - SIDE VIEW
SCALE: 1/2" = 1' 0"



LETTER - SIDE VIEW
SCALE: 1/2" = 1' 0"

25 RESTORATION - REMOVE-RESTORE
SCALE: NTS

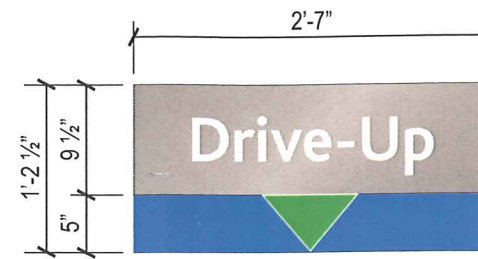




3 4 5 **CLEARANCE SIGN - TC-3-W**
SCALE: 3/4" = 1'-0"

NOTES:

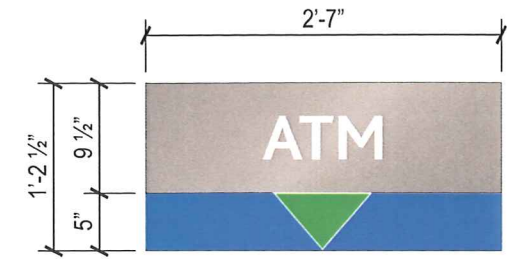
.125 aluminum face painted MP-19891 Nickel Gloss finish with 3M #680-10 reflective white vinyl copy. Bottom band painted MP-00366 Chase Blue semi-gloss. Font: Bliss Bold



6 7 8 **DRIVE UP LANE DESIGNATOR - DU-B**
SCALE: 3/4" = 1'-0"

NOTES:

Routed aluminum face painted MP-19891 Chase Nickel gloss backed up with white plex. Slanted aluminum cladding painted MP-00366 Chase Blue gloss with attached LED unit. Font: Bliss Bold



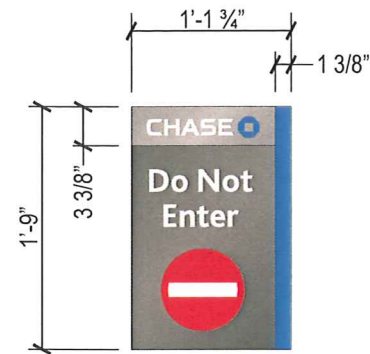
9 **ATM LANE DESIGNATOR - DU-C**
SCALE: 3/4" = 1'-0"

NOTES:

Routed aluminum face painted MP-19891 Chase Nickel gloss backed up with white plex. Slanted aluminum cladding painted MP-00366 Chase Blue gloss with attached LED unit. Font: Bliss Bold

26 **RESTORATION - REMOVE-RESTORE**
SCALE: NTS





10 WALL MOUNTED REGULATORY SIGN - TC-W-H
SCALE: 3/4" = 1'-0"

NOTES:

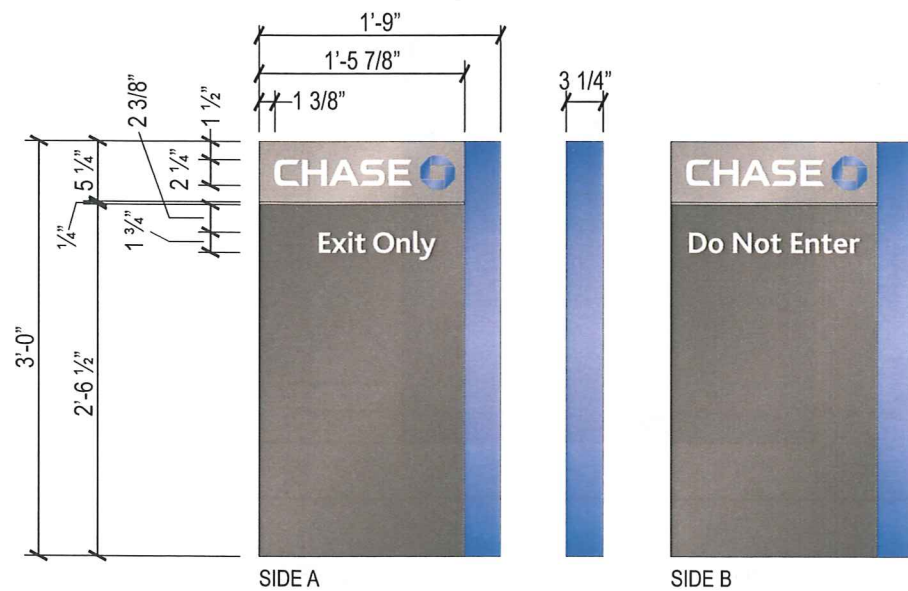
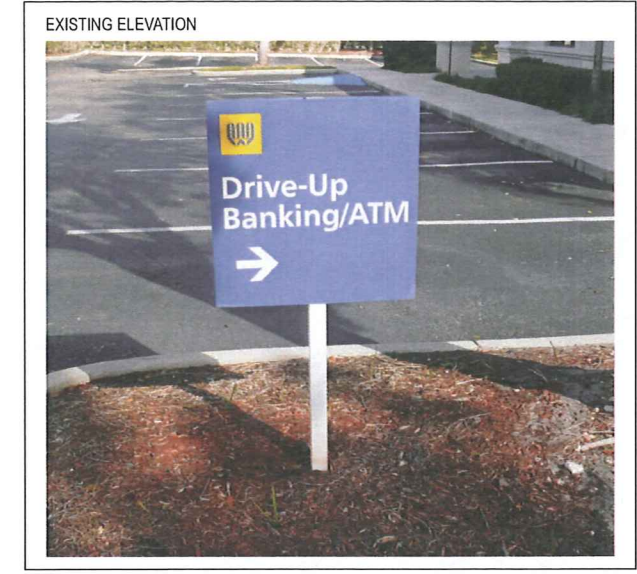
Bottom portion: .125" aluminum face painted MP-18248 Chase Dark Nickel gloss with applied 3M 680-10 white reflective vinyl copy. 3M 680-72 red reflective vinyl circle with 3M 680-10 white reflective vinyl bar.
Top portion painted MP-19891 Chase Nickel gloss with applied 3M 7725-10 white and 3632-127 blue vinyl logo over 3M 7725-10 white vinyl.
Blue border painted MP-00366 Chase Blue semi-gloss



11 12 REMAIN - REMAIN
SCALE: NTS



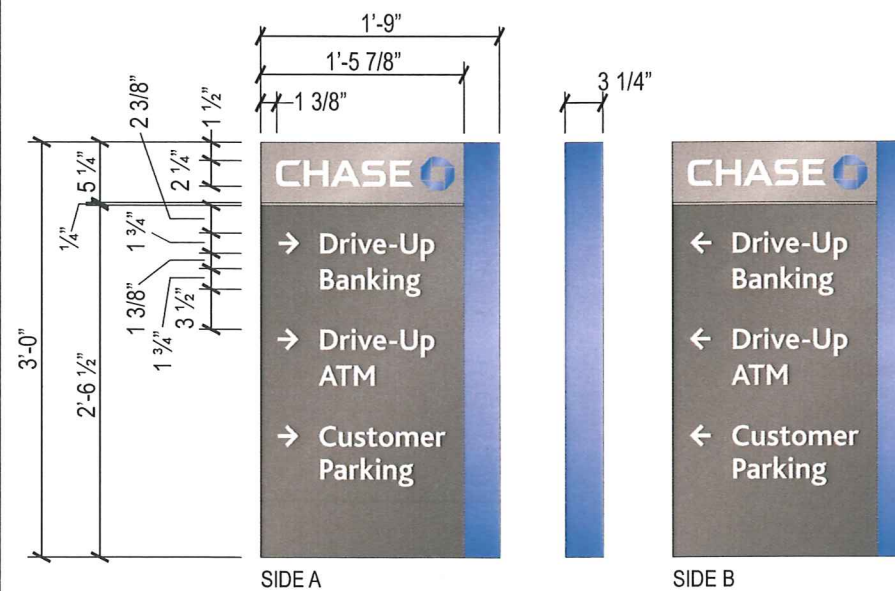
NO.	DESCRIPTION	DATE	BY
1	ISSUED FOR PERMIT	09/12/17	JL
2	ISSUED FOR CONSTRUCTION	09/12/17	JL
3	ISSUED FOR AS-BUILT	09/12/17	JL
4	ISSUED FOR RECORD	09/12/17	JL
5	ISSUED FOR ARCHIVE	09/12/17	JL
6	ISSUED FOR PROJECT CLOSE	09/12/17	JL
7	ISSUED FOR PROJECT CLOSE	09/12/17	JL
8	ISSUED FOR PROJECT CLOSE	09/12/17	JL
9	ISSUED FOR PROJECT CLOSE	09/12/17	JL
10	ISSUED FOR PROJECT CLOSE	09/12/17	JL
11	ISSUED FOR PROJECT CLOSE	09/12/17	JL
12	ISSUED FOR PROJECT CLOSE	09/12/17	JL
13	ISSUED FOR PROJECT CLOSE	09/12/17	JL
14	ISSUED FOR PROJECT CLOSE	09/12/17	JL
15	ISSUED FOR PROJECT CLOSE	09/12/17	JL
16	ISSUED FOR PROJECT CLOSE	09/12/17	JL
17	ISSUED FOR PROJECT CLOSE	09/12/17	JL
18	ISSUED FOR PROJECT CLOSE	09/12/17	JL
19	ISSUED FOR PROJECT CLOSE	09/12/17	JL
20	ISSUED FOR PROJECT CLOSE	09/12/17	JL



13 DIRECTIONAL -D-5-CUST
SCALE: 3/4" = 1'-0" 4.5 SQ FT

NOTES:

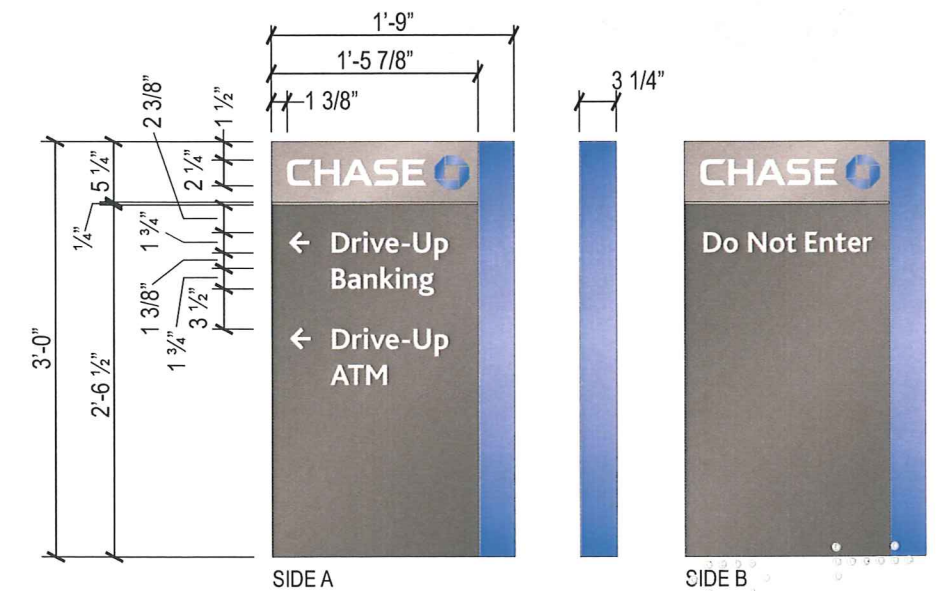
Top Portion: Aluminum face finished 19891 Nickel with applied 3M 680-10 white reflective and 3M 680-76 Lt blue reflective vinyl graphics. Bottom portion finished 18248 dk nickel with applied 3M 680-10 white reflective vinyl graphics. Beveled return finished PMS 300.
Font: Bliss Bold



14 DIRECTIONAL -D-5-CUST
SCALE: 3/4" = 1'-0" 4.5 SQ FT

NOTES:

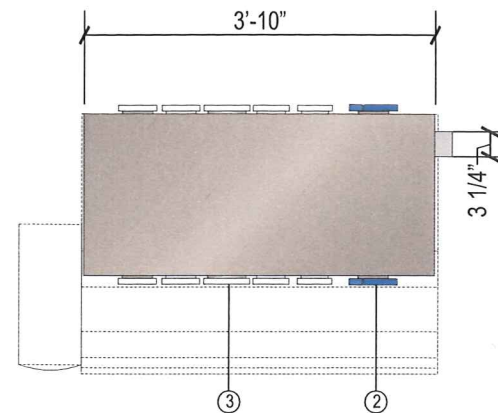
Top Portion: Aluminum face finished 19891 Nickel with applied 3M 680-10 white reflective and 3M 680-76 Lt blue reflective vinyl graphics. Bottom portion finished 18248 dk nickel with applied 3M 680-10 white reflective vinyl graphics. Beveled return finished PMS 300.
Font: Bliss Bold



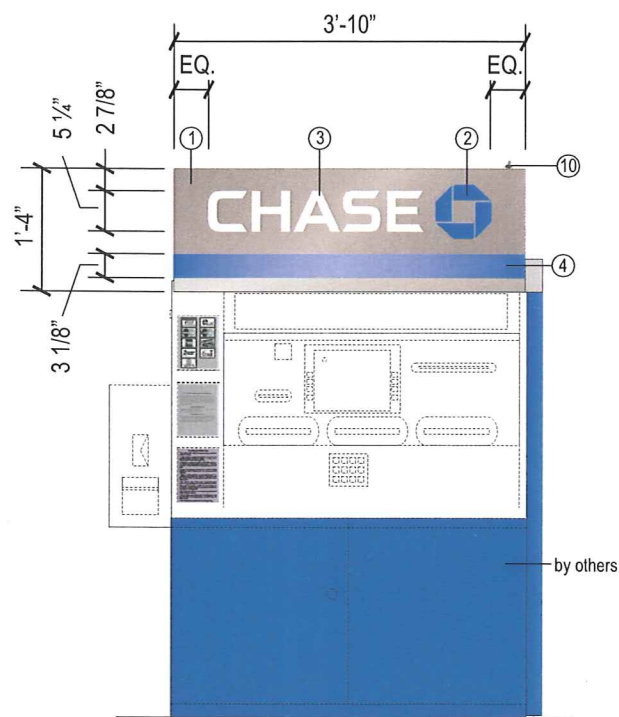
28 DIRECTIONAL -D-5-CUST
SCALE: 3/4" = 1'-0" 4.5 SQ FT

NOTES:

Top Portion: Aluminum face finished 19891 Nickel with applied 3M 680-10 white reflective and 3M 680-76 Lt blue reflective vinyl graphics. Bottom portion finished 18248 dk nickel with applied 3M 680-10 white reflective vinyl graphics. Beveled return finished PMS 300.
Font: Bliss Bold



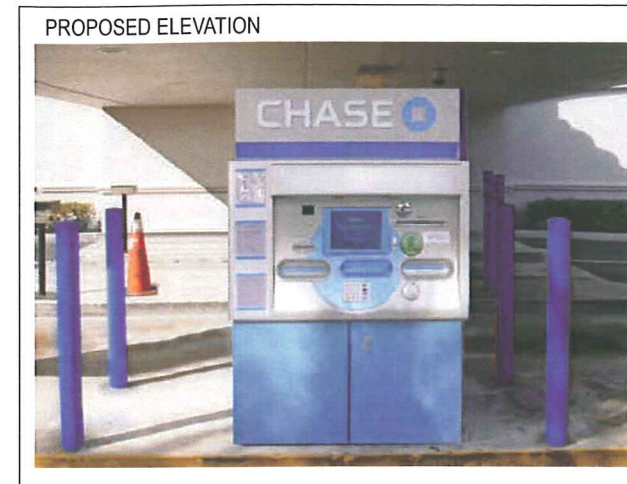
TOP VIEW



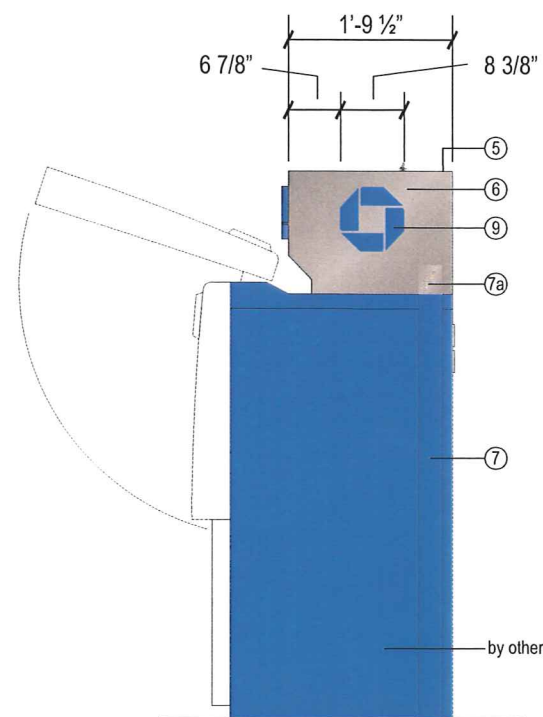
FRONT VIEW



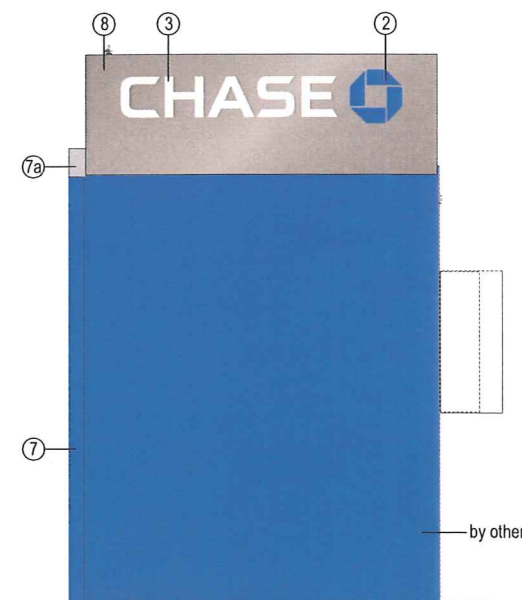
EXISTING ELEVATION



PROPOSED ELEVATION



SIDE VIEW

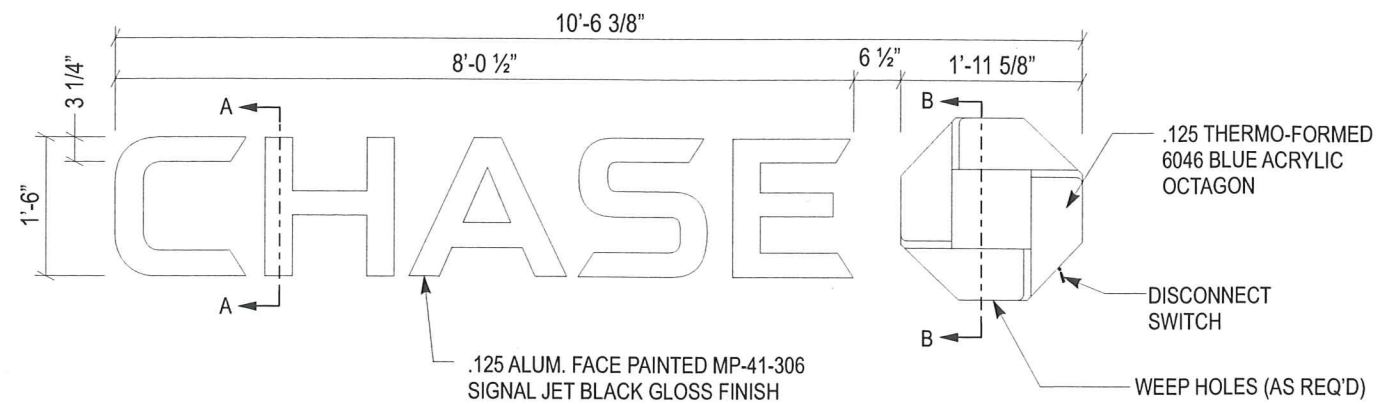


BACK VIEW

1. .125 ROUTED ALUMINUM FACE PAINTED "CHASE NICKEL" MATHEWS MP-19891 GLOSS FINISH
2. 3/4" CLEAR PUSH THRU ACRYLIC W/ 3M 3632-127 INTENSE BLUE VINYL APPLIED SECOND SURFACE
3. 3/4" CLEAR PUSH THRU ACRYLIC W/ 3M 3630-20 WHITE VINYL APPLIED FIRST SURFACE. 3M 3635-70 DIFFUSER FILM APPLIED SECOND SURFACE
4. 3/16" ARISTECH #6046 TRANSLUCENT BLUE
5. 1 1/2" ALUMINUM PIANO HINGE
6. .125 ROUTED ALUMINUM FILLER & FACE PAINTED "CHASE NICKEL" MATHEWS MP-19891 GLOSS FINISH
7. .063 FORMED ALUMINUM LOWER WIRECHASE 60" LONG SCREWED TO UPPER WIRECHASE & SECURED TO ATM MACHINE W/ 3M VHB TAPE. PAINT TO MATCH MATHEWS MP-49353 CHASE METALLIC BLUE
(CUT TO LENGTH & INSTALLED IN FIELD)
- 7a. .063 FORMED ALUMINUM UPPER WIRECHASE WELDED TO TOPPER CABINET PAINT TO MATCH MATHEWS MP-19891 "CHASE NICKEL" GLOSS FINISH
8. .125 ALUMINUM PAINTED "CHASE NICKEL" MATHEWS MP-19891 GLOSS FINISH
9. OCTAGON TO BE 3M VINYL 3632-127 INTENSE BLUE (TYP. EACH SIDE)
10. DISCONNECT SWITCH W/ SWITCH BOOT

16 **DRIVE-UP TOPPER - TOP-FS-DU**
SCALE: 1/2" = 1' 0"

37 **ENV-HLDR - Temp Envelope Holder**
REPAIR CONCRETE AS NEEDED AFTER REMOVAL OF EXISTING CSU



HALO ILLUMINATED CHANNEL LETTERS LIH-BLK-18 - ELEVATION
 SCALE: 1/2" = 1' 0"

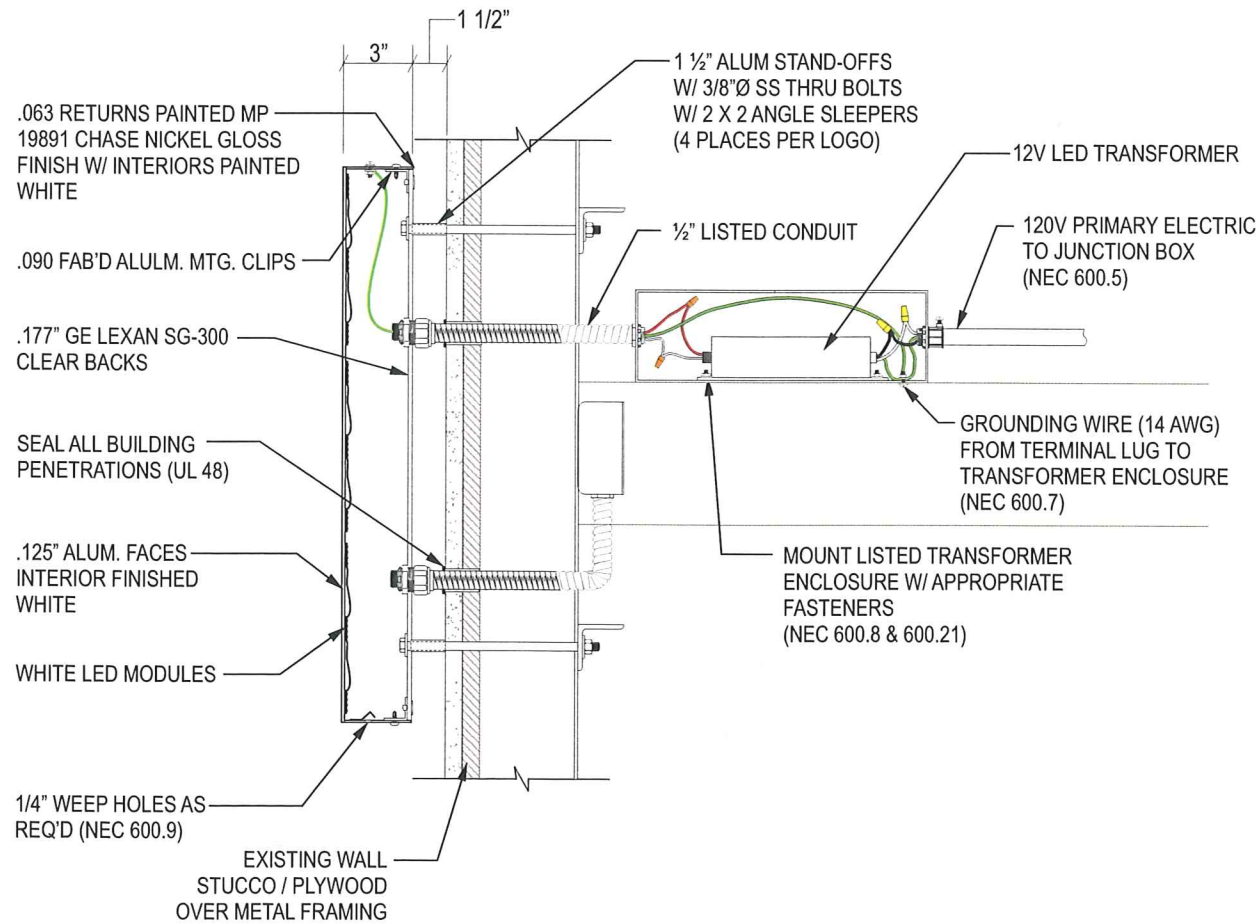
THIS STRUCTURE(S) HAS BEEN DESIGNED IN ACCORDANCE WITH THE REQUIREMENTS OF THE 2004 FLORIDA BUILDING CODE WITH 2006 SUPPLEMENTS, CHAPTER 16, STRUCTURAL DESIGN. THE FOLLOWING WIND LOAD REQUIREMENTS, IN ACCORDANCE WITH SECTION 1609, WERE EMPLOYED IN THE DESIGN OF THE STRUCTURE.

GENERAL NOTES:

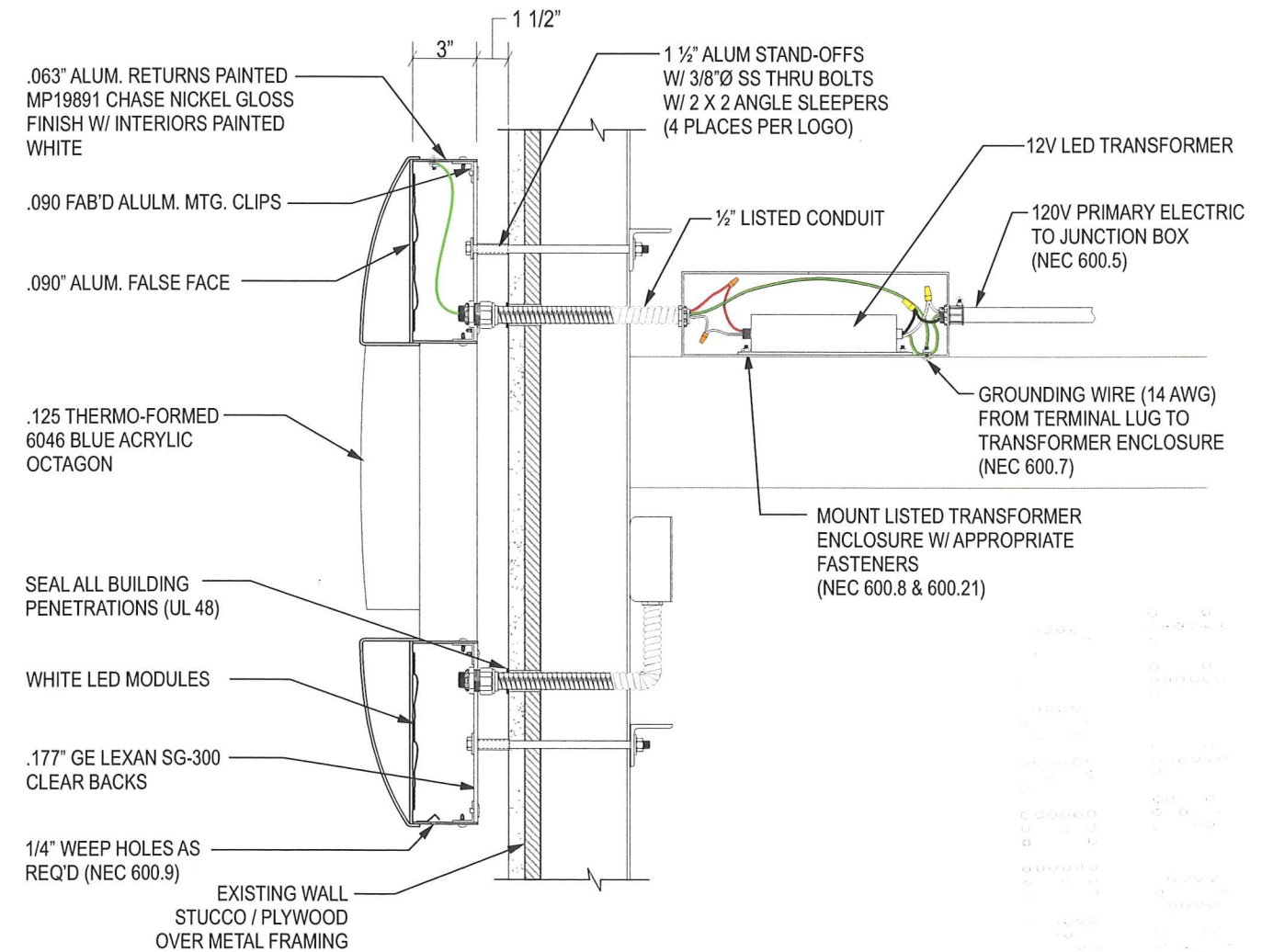
- U.L. LISTED - FILE NUMBER E157099
- ALL ELECTRICAL WORK SHALL BE PERFORMED IN ACCORDANCE WITH "NEC" REF. SECTION 600
- ALL ELECTRICAL SIGN SECTIONS TO HAVE U.L. LABEL IN ACCORDANCE WITH "NEC" 600.3 AND MANUFACTURERS LABEL LOCATED NEXT TO DISCONNECT SWITCH
- ALL NON-CURRENT CARRYING METAL PARTS OF SIGN SHALL BE GROUNDED & BONDED IN ACCORDANCE WITH "NEC" 250
- ALL WIRING CONTAINED IN ENCLOSED AREAS WITH LAMPS SHALL BE FIXTURE RATED
- SPlicing OF CONDUCTORS SHALL BE MADE IN JUNCTION BOXES OR SIMILAR METAL ENCLOSURES
- AT THE POINT THAT ELECTRICAL CABLE PASSES THRU THE SIGN BOX, IT SHALL PASS THRU A U.L. LISTED RUBBER GROMMET

BASIC WIND SPEED 150 MPH
 -3 SEC GUST WIND
 IMPORTANCE FACTOR: 1.0
 EXPOSURE B

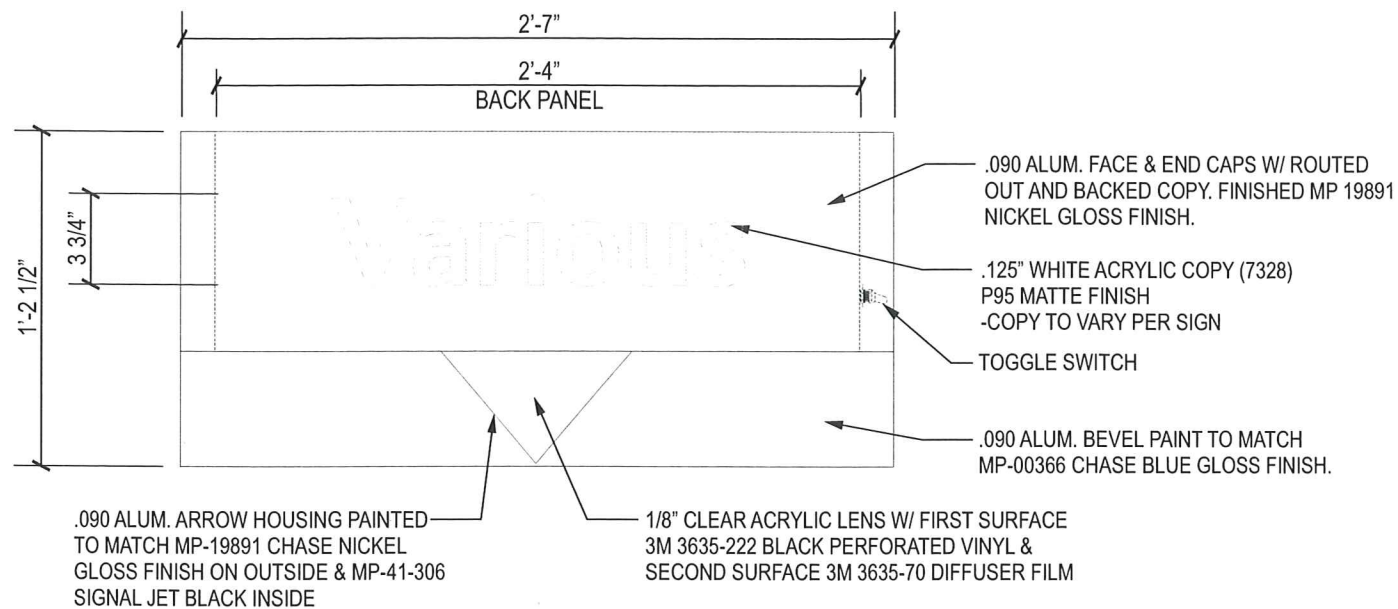
ESTIMATED SIGN WEIGHT
 -12 lbs. PER LETTER
 -18 lbs. PER LOGO



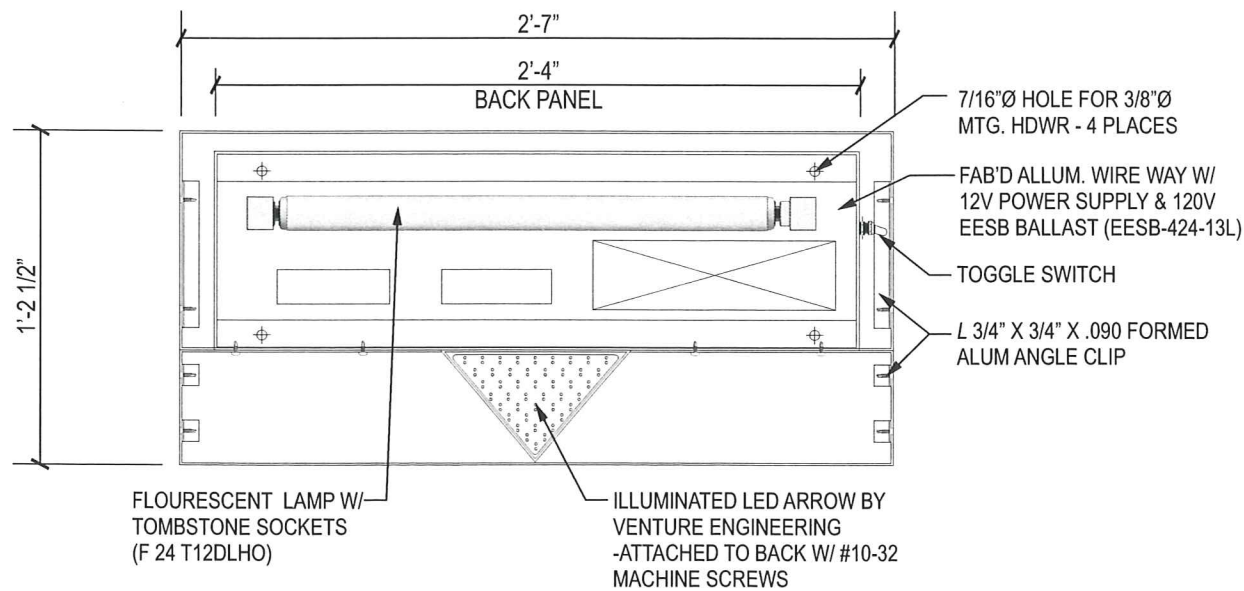
SECTION DETAIL A-A
 NOT TO SCALE



SECTION DETAIL B-B
 NOT TO SCALE



LANE DESIGNATOR - FRONT ELEVATION
SCALE: 1 1/2" = 1' 0"



LANE DESIGNATOR / ILLUMINATION DETAIL
SCALE: 1 1/2" = 1' 0"

THIS DRAWING IS INTENDED FOR SITE SPECIFIC MOUNTING AND INSTALLATION PURPOSES. REFER TO THE LATEST LINK ENGINEERING SPECIFICATIONS FOR SPECIFIC FABRICATION METHODS.

THIS STRUCTURE(S) HAS BEEN DESIGNED IN ACCORDANCE WITH THE REQUIREMENTS OF THE 2004 FLORIDA BUILDING CODE WITH 2006 SUPPLEMENTS, CHAPTER 16, STRUCTURAL DESIGN. THE FOLLOWING WIND LOAD REQUIREMENTS, IN ACCORDANCE WITH SECTION 1609, WERE EMPLOYED IN THE DESIGN OF THE STRUCTURE.

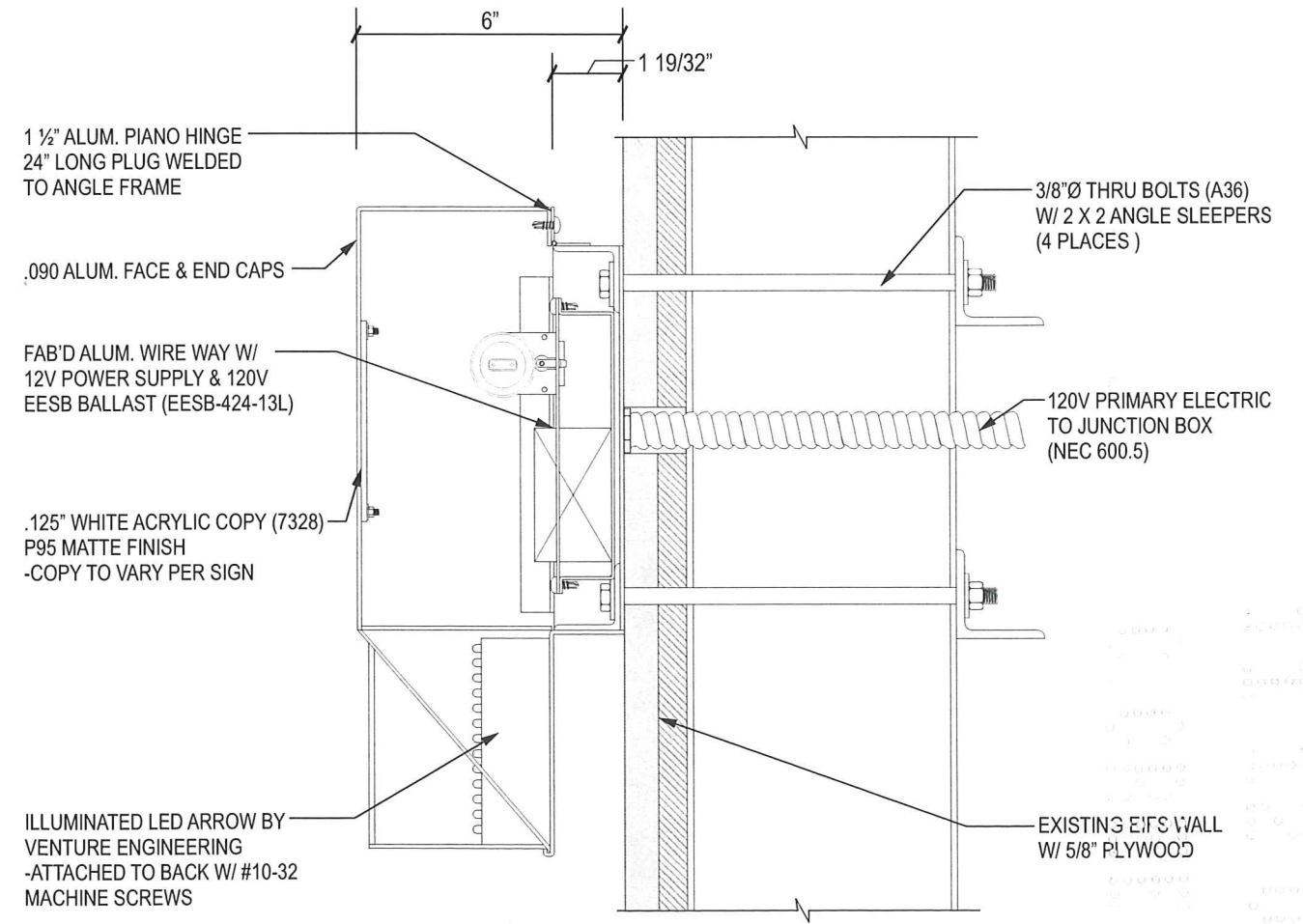
GENERAL NOTES:

- U.L. LISTED - FILE NUMBER E157099
- ALL ELECTRICAL WORK SHALL BE PERFORMED IN ACCORDANCE WITH "NEC" REF. SECTION 600
- ALL ELECTRICAL SIGN SECTIONS TO HAVE U.L. LABEL IN ACCORDANCE WITH "NEC" 600.3 AND MANUFACTURERS LABEL LOCATED NEXT TO DISCONNECT SWITCH
- ALL NON-CURRENT CARRYING METAL PARTS OF SIGN SHALL BE GROUNDED & BONDED IN ACCORDANCE WITH "NEC" 250
- ALL WIRING CONTAINED IN ENCLOSED AREAS WITH LAMPS SHALL BE FIXTURE RATED
- SPlicing OF CONDUCTORS SHALL BE MADE IN JUNCTION BOXES OR SIMILAR METAL ENCLOSURES
- AT THE POINT THAT ELECTRICAL CABLE PASSES THRU THE SIGN BOX, IT SHALL PASS THRU A U.L. LISTED RUBBER GROMMET

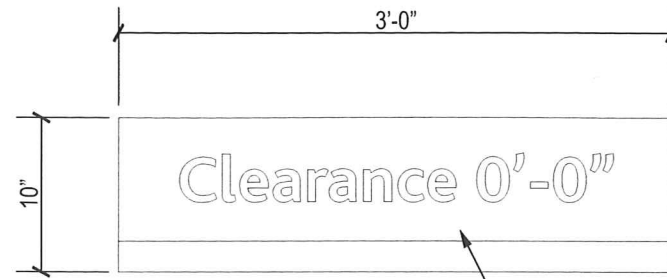
BASIC WIND SPEED 150 MPH
-3 SEC GUST WIND
IMPORTANCE FACTOR: 1.0
EXPOSURE B

ESTIMATED SIGN WEIGHT
-30 lbs. PER DESIGNATOR

ESTIMATED ELECTRICAL LOAD
1.1A @ 120VAC
ESTIMATED ELECTRICAL REQ.
(1)20A circuit @ 120VAC



MTG. DETAIL
SCALE: 3" = 1' 0"

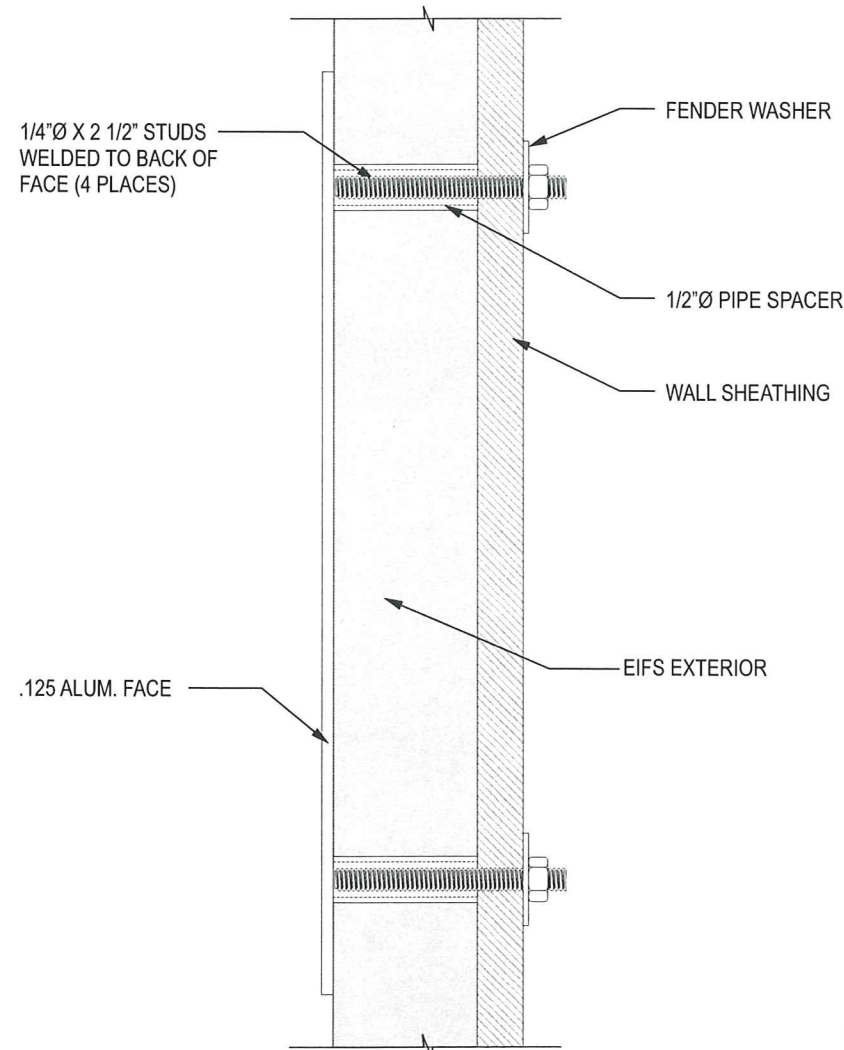


.125 ALUM. FACE PAINTED TO MATCH SPECS W/ VINYL COPY

TC-3-W / ELEVATION
SCALE: 1" = 1' 0"

BASIC WIND SPEED 150 MPH
-3 SEC GUST WIND
IMPORTANCE FACTOR: 1.0
EXPOSURE B

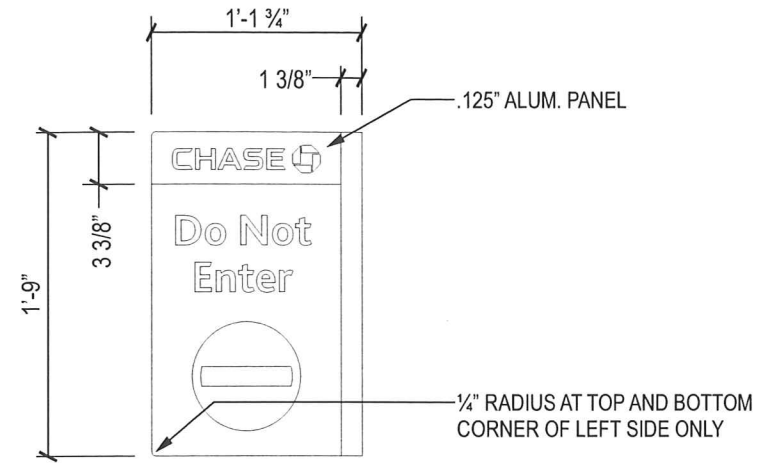
ESTIMATED SIGN WEIGHT
-10 lbs. PER PLAQUE



TC-3-W / SECTION
HALF SCALE

THIS STRUCTURE(S) HAS BEEN DESIGNED IN ACCORDANCE WITH THE REQUIREMENTS OF THE 2004 FLORIDA BUILDING CODE WITH 2006 SUPPLEMENTS, CHAPTER 16, STRUCTURAL DESIGN. THE FOLLOWING WIND LOAD REQUIREMENTS, IN ACCORDANCE WITH SECTION 1609, WERE EMPLOYED IN THE DESIGN OF THE STRUCTURE.

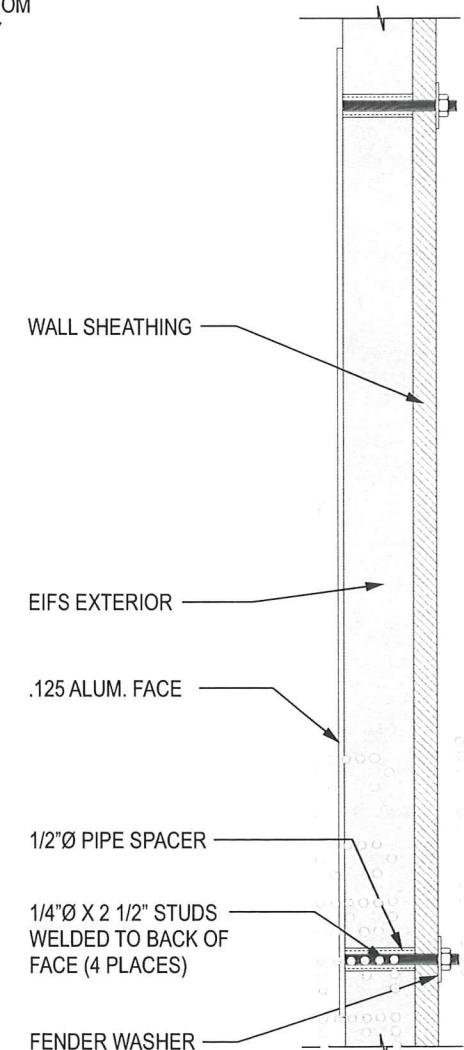
THIS DRAWING IS INTENDED FOR SITE SPECIFIC MOUNTING AND INSTALLATION PURPOSES. REFER TO THE LATEST LINK ENGINEERING SPECIFICATIONS FOR SPECIFIC FABRICATION METHODS.



TC-W-H - ELEVATION
SCALE: 1"=1'-0"

BASIC WIND SPEED 150 MPH
-3 SEC GUST WIND
IMPORTANCE FACTOR: 1.0
EXPOSURE B

ESTIMATED SIGN WEIGHT
-10 lbs. PER PLAQUE



TC-W-H - SECTION
SCALE: 3"=1'-0"

THIS STRUCTURE(S) HAS BEEN DESIGNED IN ACCORDANCE WITH THE REQUIREMENTS OF THE 2004 FLORIDA BUILDING CODE WITH 2006 SUPPLEMENTS, CHAPTER 16, STRUCTURAL DESIGN. THE FOLLOWING WIND LOAD REQUIREMENTS, IN ACCORDANCE WITH SECTION 1609, WERE EMPLOYED IN THE DESIGN OF THE STRUCTURE.

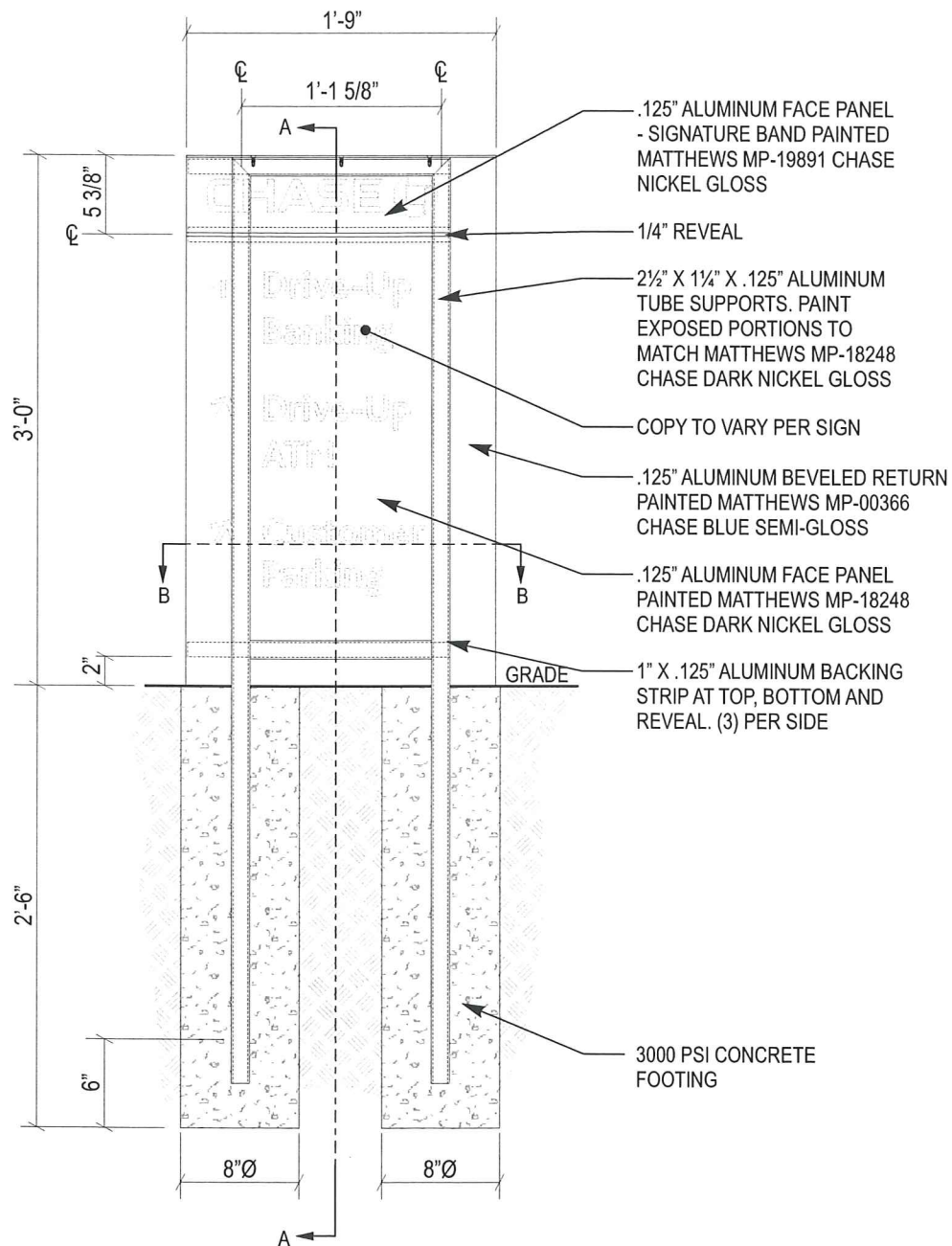
THIS DRAWING IS INTENDED FOR SITE SPECIFIC MOUNTING AND INSTALLATION PURPOSES. REFER TO THE LATEST LINK ENGINEERING SPECIFICATIONS FOR SPECIFIC FABRICATION METHODS.

THIS DRAWING IS INTENDED FOR SITE SPECIFIC MOUNTING AND INSTALLATION PURPOSES. REFER TO THE LATEST LINK ENGINEERING SPECIFICATIONS FOR SPECIFIC FABRICATION METHODS.

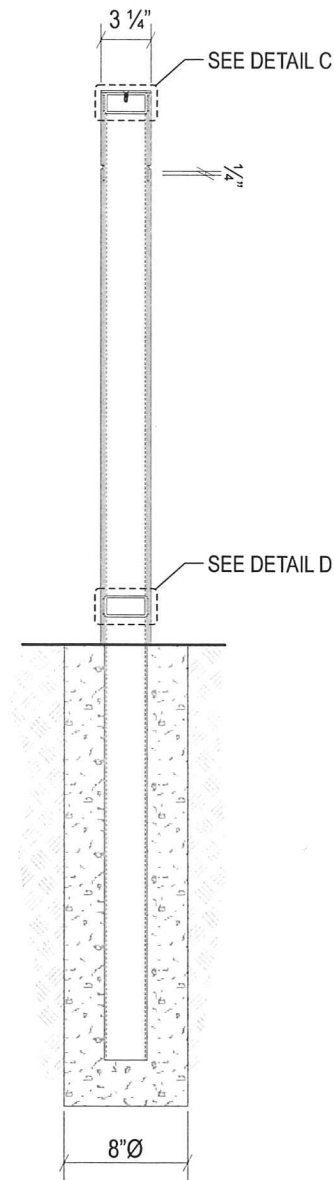
THIS STRUCTURE(S) HAS BEEN DESIGNED IN ACCORDANCE WITH THE REQUIREMENTS OF THE 2004 FLORIDA BUILDING CODE WITH 2006 SUPPLEMENTS, CHAPTER 16, STRUCTURAL DESIGN. THE FOLLOWING WIND LOAD REQUIREMENTS, IN ACCORDANCE WITH SECTION 1609, WERE EMPLOYED IN THE DESIGN OF THE STRUCTURE.

BASIC WIND SPEED 140 MPH
IMPORTANCE FACTOR: 1.0
EXPOSURE C

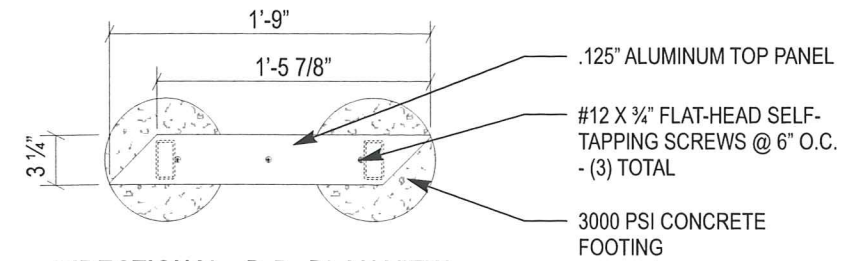
ESTIMATED SIGN WEIGHT
-50 lbs. PER DIRECTIONAL



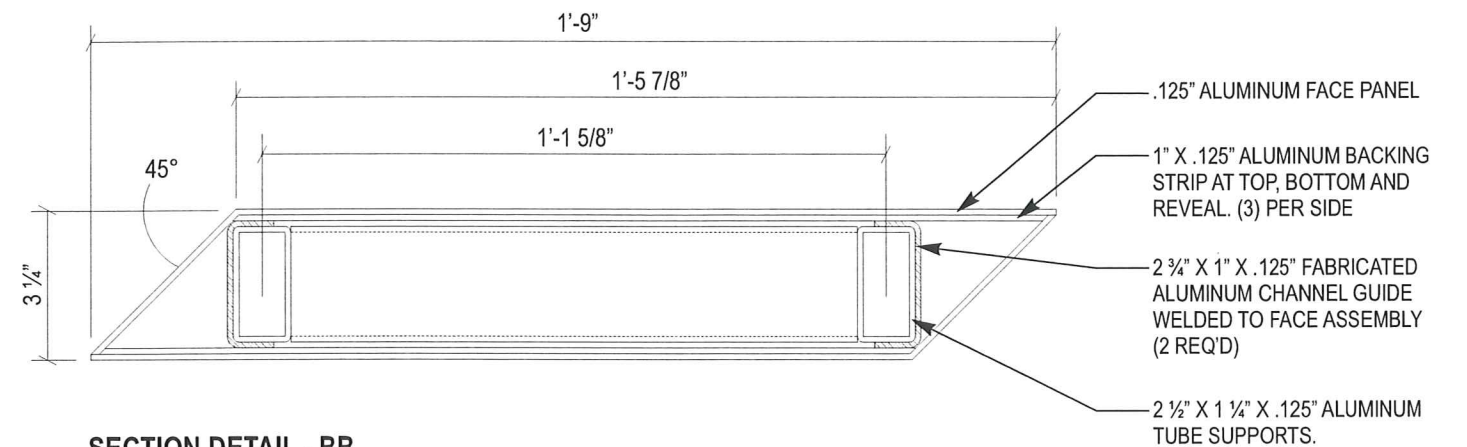
DIRECTIONAL - D-5-CUST - ELEVATION
SCALE: 1" = 1' 0"



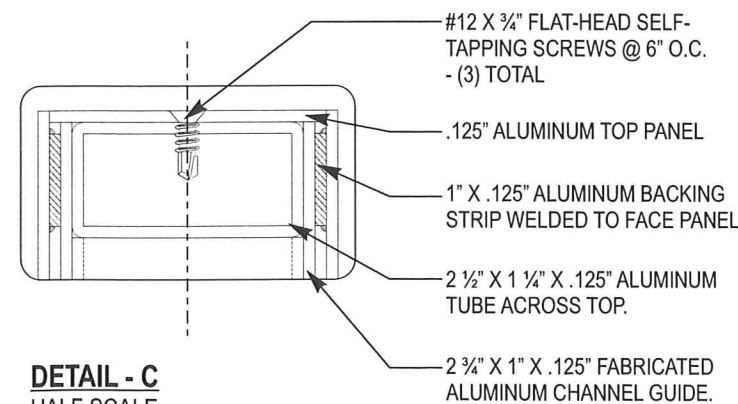
SECTION DETAIL - AA
SCALE: 1" = 1' 0"



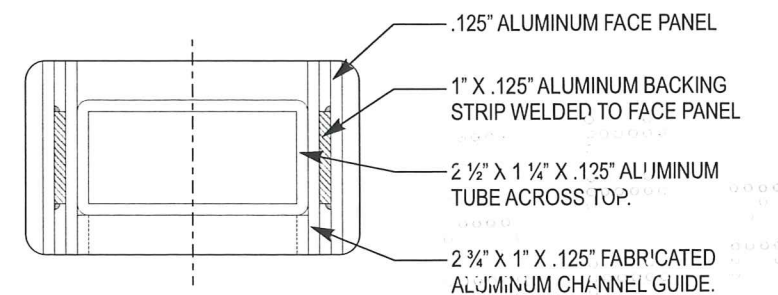
DIRECTIONAL - D-5 - PLAN VIEW
SCALE: 1" = 1' 0"



SECTION DETAIL - BB
SCALE: 3" = 1' 0"



DETAIL - C
HALF SCALE



DETAIL - D
HALF SCALE

THIS STRUCTURE(S) HAS BEEN DESIGNED IN ACCORDANCE WITH THE REQUIREMENTS OF THE 2004 FLORIDA BUILDING CODE WITH 2006 SUPPLEMENTS, CHAPTER 16, STRUCTURAL DESIGN. THE FOLLOWING WIND LOAD REQUIREMENTS, IN ACCORDANCE WITH SECTION 1609, WERE EMPLOYED IN THE DESIGN OF THE STRUCTURE.

GENERAL NOTES:

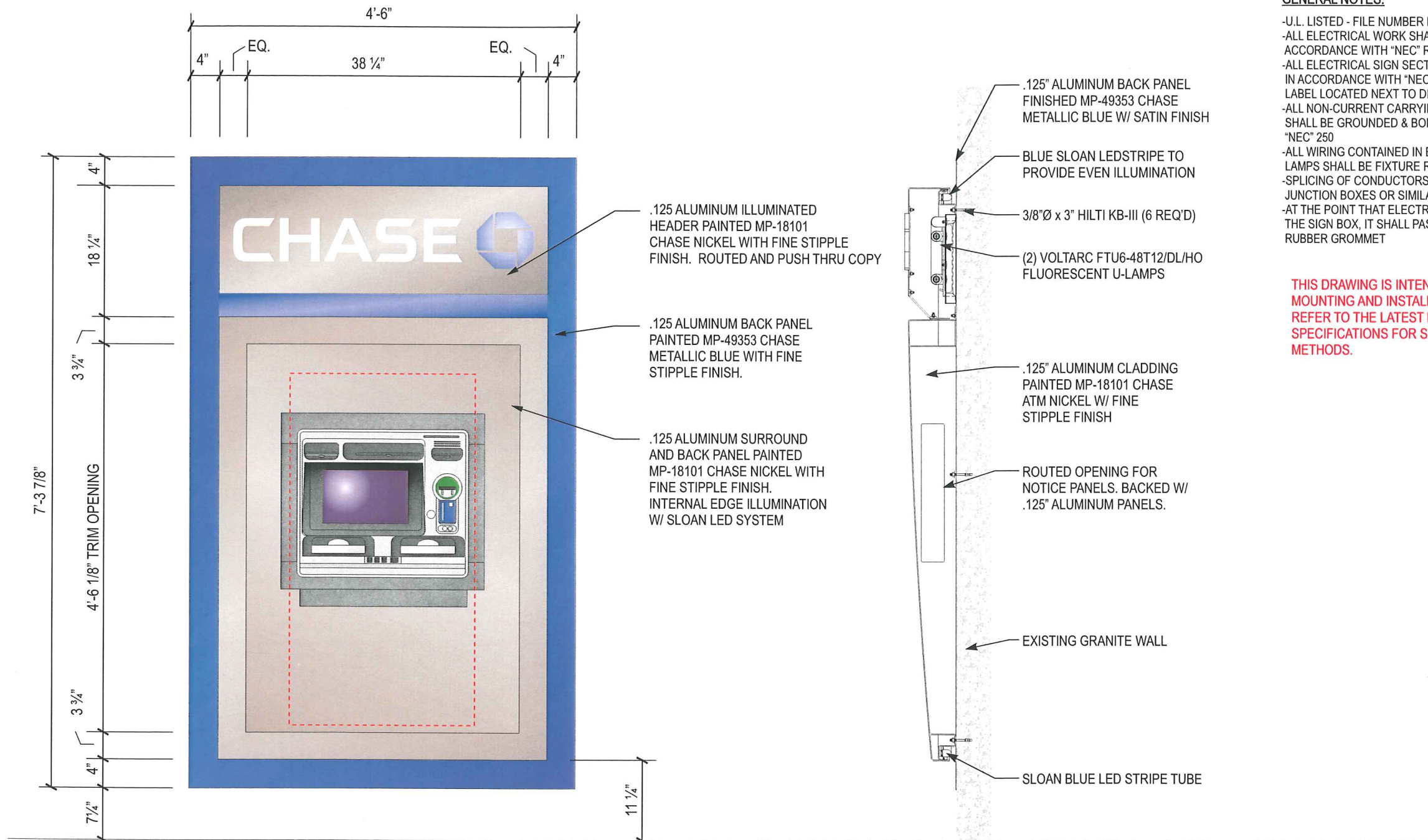
- U.L. LISTED - FILE NUMBER E157099
- ALL ELECTRICAL WORK SHALL BE PERFORMED IN ACCORDANCE WITH "NEC" REF. SECTION 600
- ALL ELECTRICAL SIGN SECTIONS TO HAVE U.L. LABEL IN ACCORDANCE WITH "NEC" 600.3 AND MANUFACTURERS LABEL LOCATED NEXT TO DISCONNECT SWITCH
- ALL NON-CURRENT CARRYING METAL PARTS OF SIGN SHALL BE GROUNDED & BONDED IN ACCORDANCE WITH "NEC" 250
- ALL WIRING CONTAINED IN ENCLOSED AREAS WITH LAMPS SHALL BE FIXTURE RATED
- SPlicing OF CONDUCTORS SHALL BE MADE IN JUNCTION BOXES OR SIMILAR METAL ENCLOSURES
- AT THE POINT THAT ELECTRICAL CABLE PASSES THRU THE SIGN BOX, IT SHALL PASS THRU A U.L. LISTED RUBBER GROMMET

BASIC WIND SPEED 150 MPH
- 3 SEC GUST WIND
IMPORTANCE FACTOR: 1.0
EXPOSURE C

ESTIMATED SIGN WEIGHT
- 175lbs Total

ESTIMATED ELECTRICAL LOAD
2.5A @ 120VAC
ESTIMATED ELECTRICAL REQ.
(1)20A circuit @ 120VAC

THIS DRAWING IS INTENDED FOR SITE SPECIFIC MOUNTING AND INSTALLATION PURPOSES. REFER TO THE LATEST LINK ENGINEERING SPECIFICATIONS FOR SPECIFIC FABRICATION METHODS.



UNIVERSAL ATM SURROUND - SUR-TTW-U
SCALE: 3/4" = 1'-0"

UNIVERSAL ATM SURROUND - SECTION DETAIL
SCALE: 3/4" = 1'-0"

THIS STRUCTURE(S) HAS BEEN DESIGNED IN ACCORDANCE WITH THE REQUIREMENTS OF THE 2004 FLORIDA BUILDING CODE WITH 2006 SUPPLEMENTS, CHAPTER 16, STRUCTURAL DESIGN. THE FOLLOWING WIND LOAD REQUIREMENTS, IN ACCORDANCE WITH SECTION 1609, WERE EMPLOYED IN THE DESIGN OF THE STRUCTURE.

GENERAL NOTES:

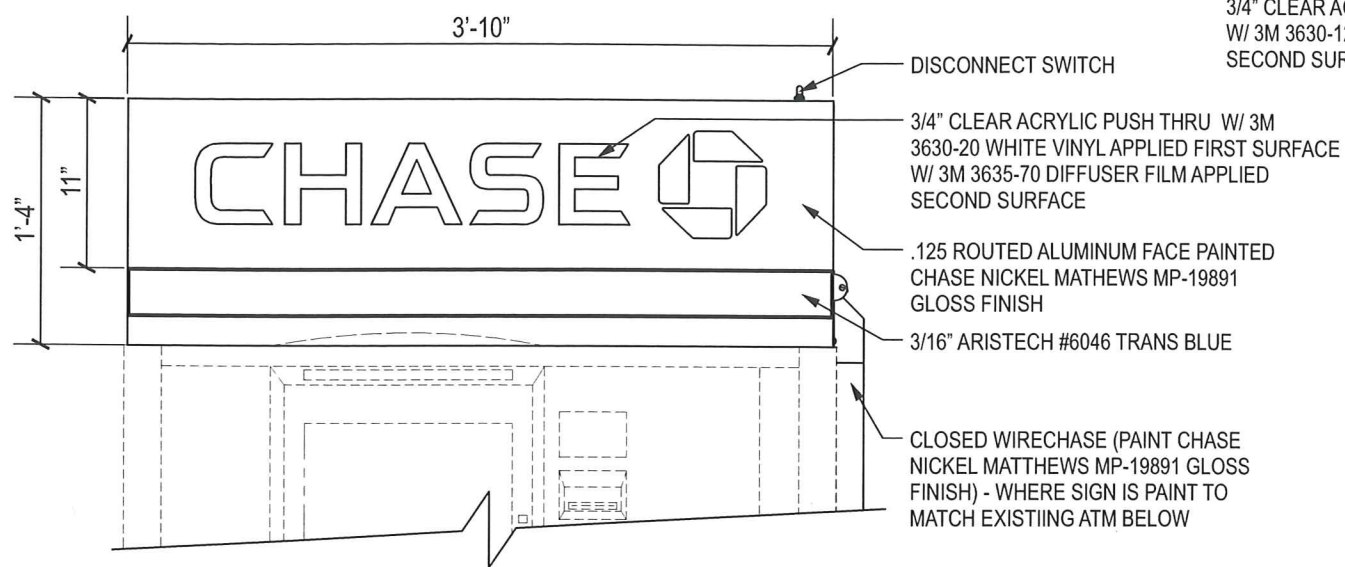
- U.L. LISTED - FILE NUMBER E157099
- ALL ELECTRICAL WORK SHALL BE PERFORMED IN ACCORDANCE WITH "NEC" REF. SECTION 600
- ALL ELECTRICAL SIGN SECTIONS TO HAVE U.L. LABEL IN ACCORDANCE WITH "NEC" 600.3 AND MANUFACTURERS LABEL LOCATED NEXT TO DISCONNECT SWITCH
- ALL NON-CURRENT CARRYING METAL PARTS OF SIGN SHALL BE GROUNDED & BONDED IN ACCORDANCE WITH "NEC" 250
- ALL WIRING CONTAINED IN ENCLOSED AREAS WITH LAMPS SHALL BE FIXTURE RATED
- SPlicing OF CONDUCTORS SHALL BE MADE IN JUNCTION BOXES OR SIMILAR METAL ENCLOSURES
- AT THE POINT THAT ELECTRICAL CABLE PASSES THRU THE SIGN BOX, IT SHALL PASS THRU A U.L. LISTED RUBBER GROMMET

BASIC WIND SPEED 150 MPH
- 3 SEC GUST WIND
IMPORTANCE FACTOR: 1.0
EXPOSURE C

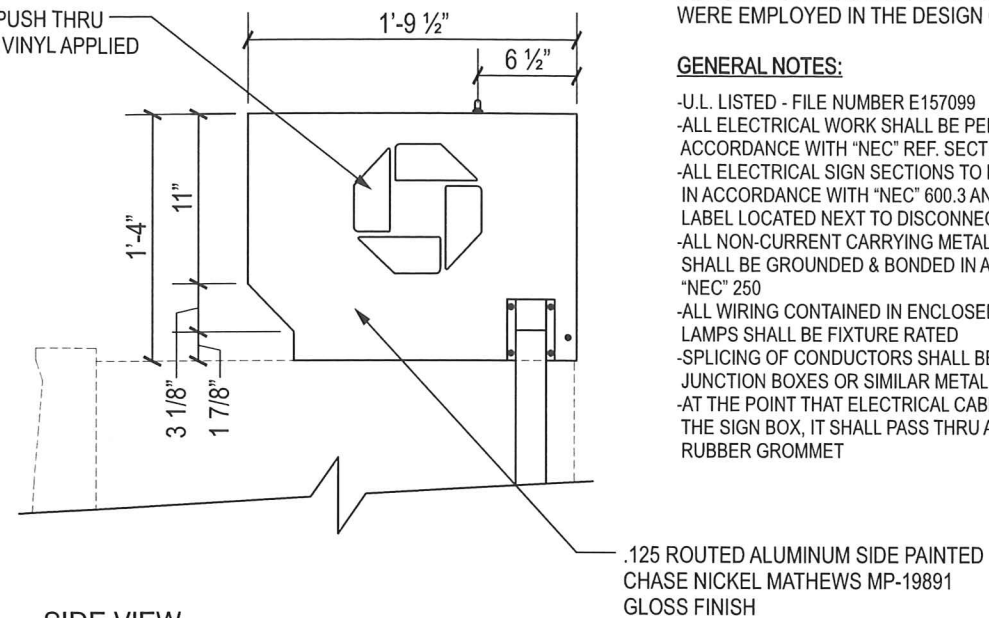
ESTIMATED SIGN WEIGHT
-65 lbs. PER TOPPER

ESTIMATED ELECTRICAL LOAD
1.1A @ 120VAC
ESTIMATED ELECTRICAL REQ.
(1)20A circuit @ 120VAC

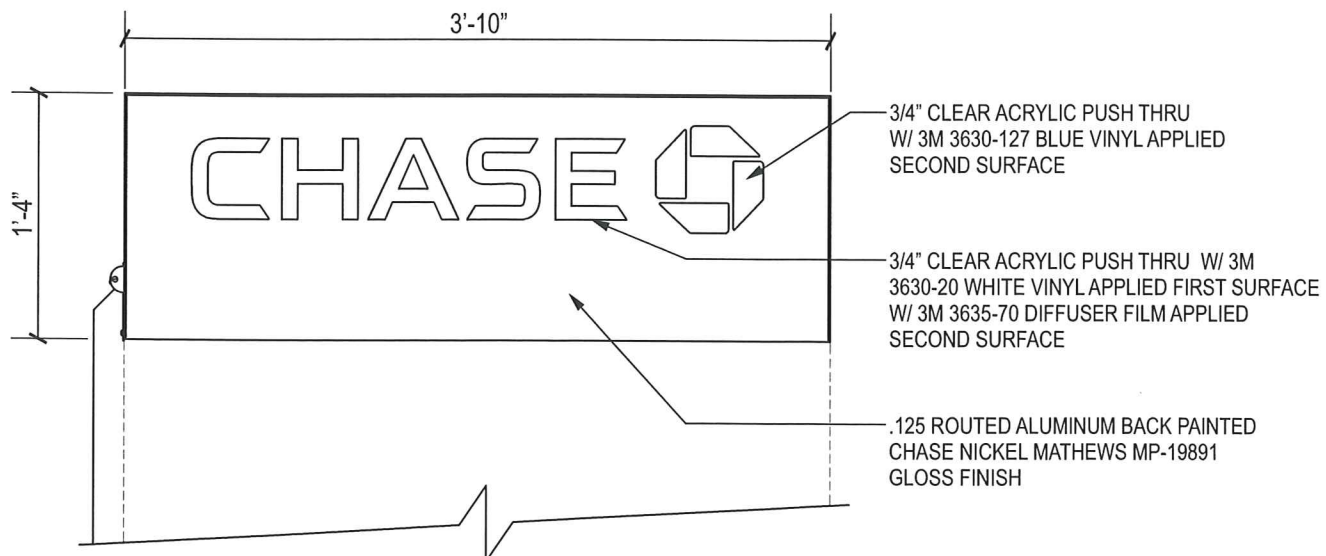
THIS DRAWING IS INTENDED FOR SITE SPECIFIC MOUNTING AND INSTALLATION PURPOSES. REFER TO THE LATEST LINK ENGINEERING SPECIFICATIONS FOR SPECIFIC FABRICATION METHODS.



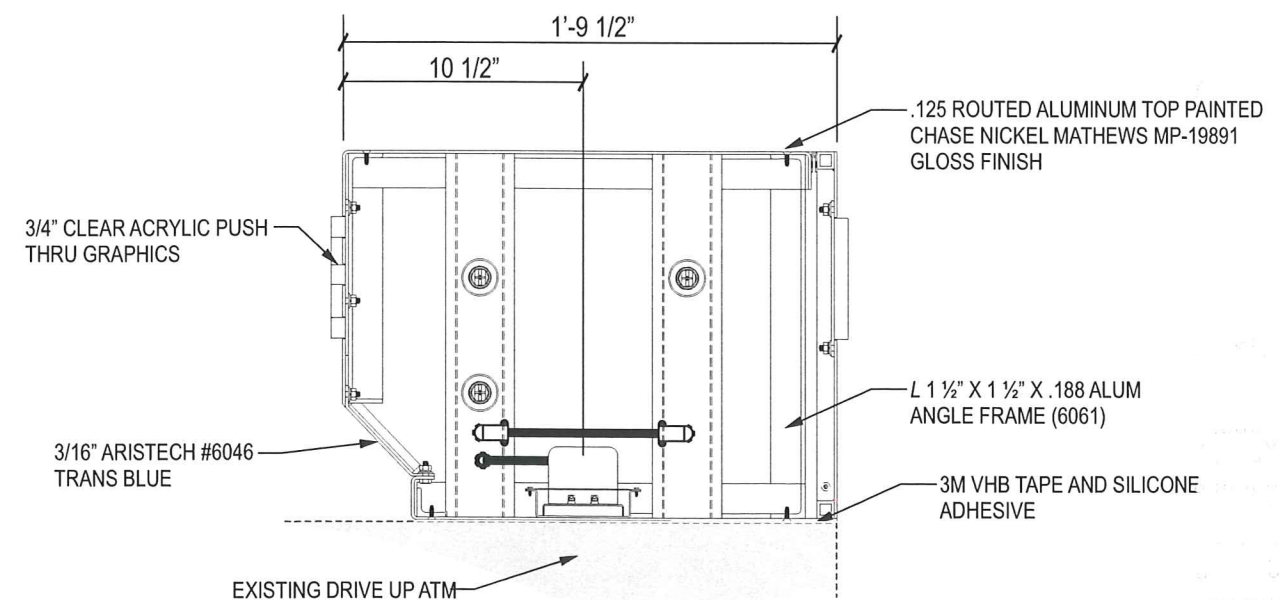
TOP-FS-DU - FRONT VIEW - (1) REQ'D
SCALE: 1" = 1' 0"



SIDE VIEW
SCALE: 1" = 1' 0"



BACK VIEW
SCALE: 1" = 1' 0"



MOUNTING DETAIL
SCALE: 1 1/2" = 1' 0"