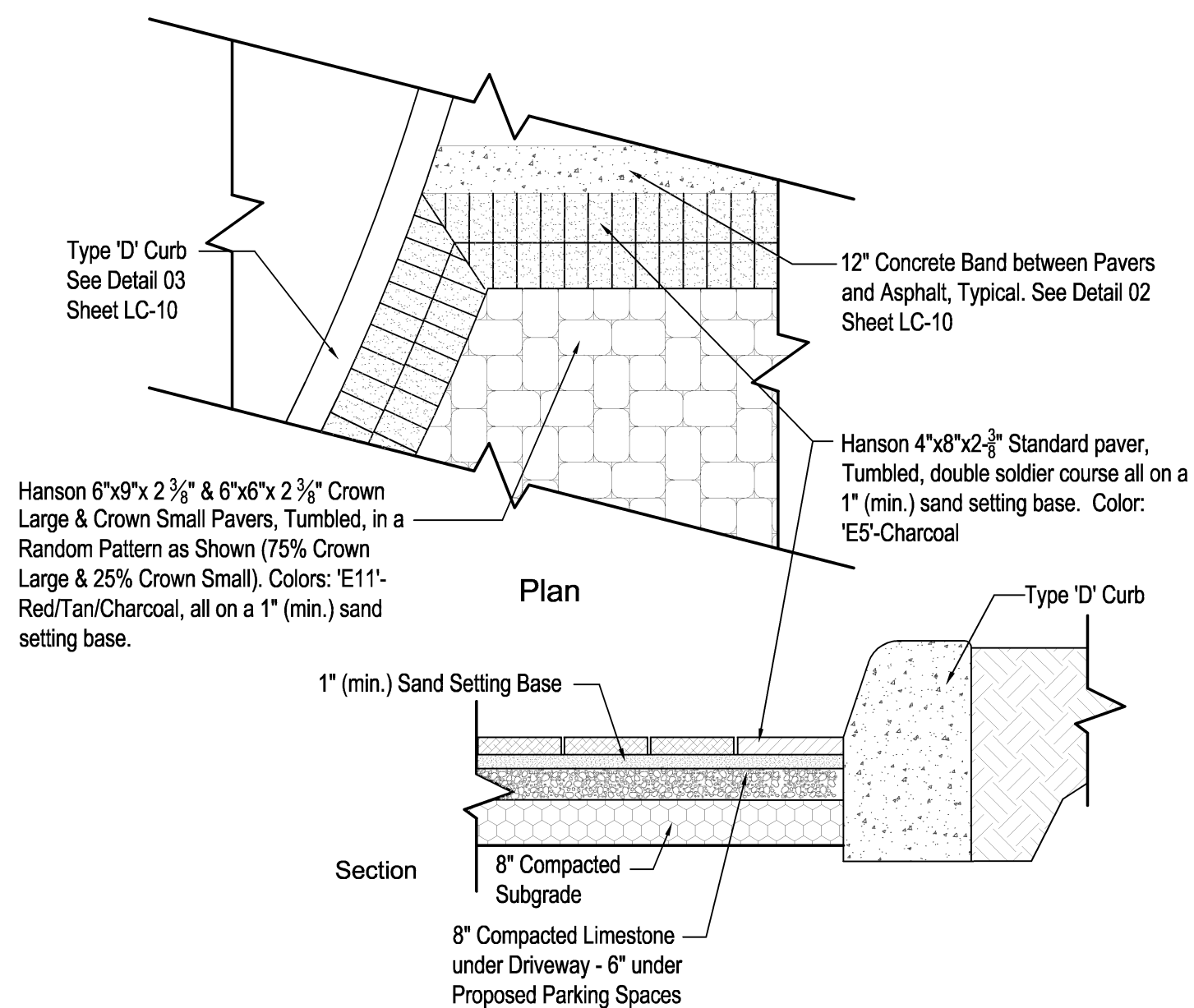


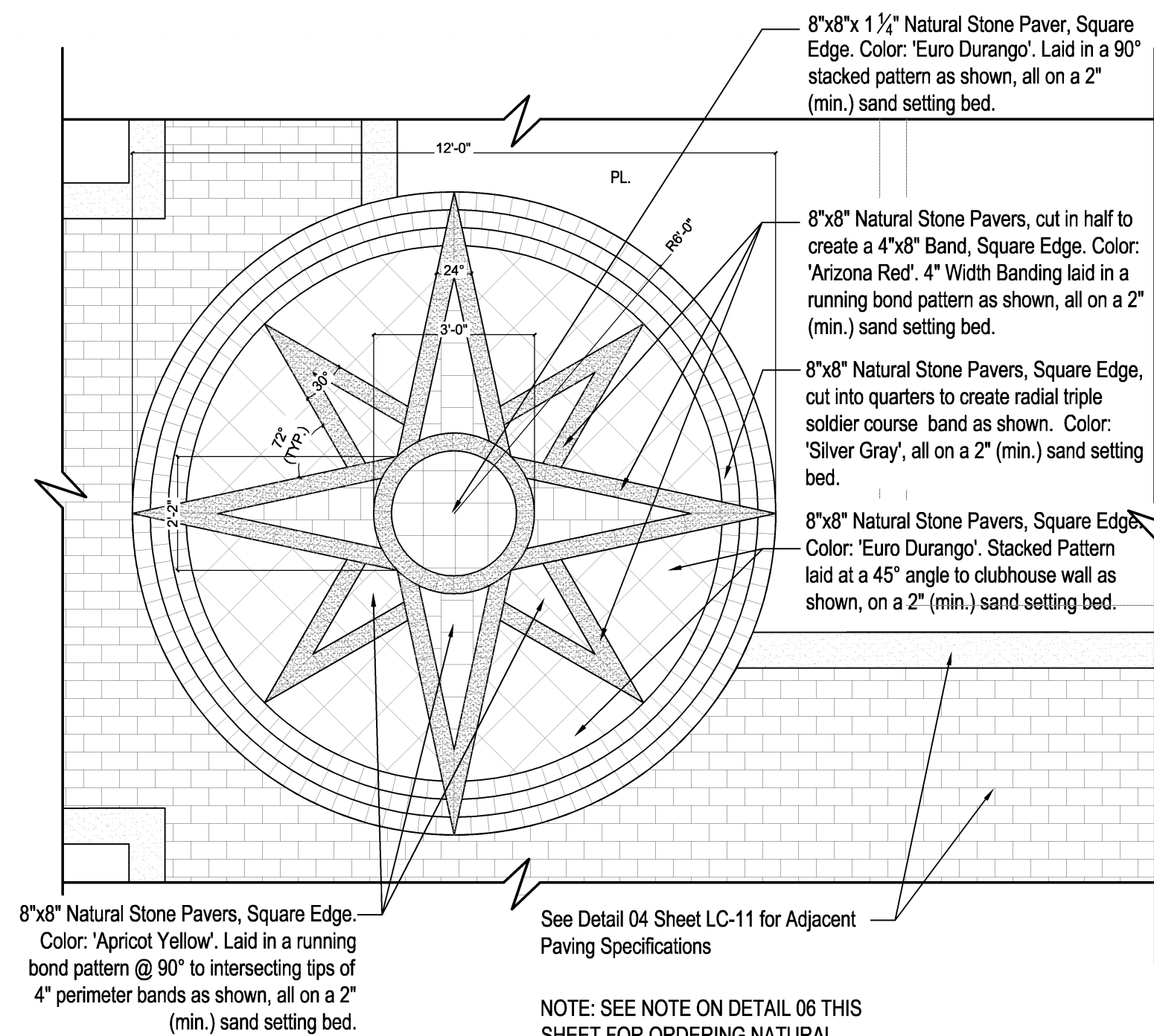
01 PAVER CROSSWALK WITH CONCRETE BAND DETAIL

N.T.S



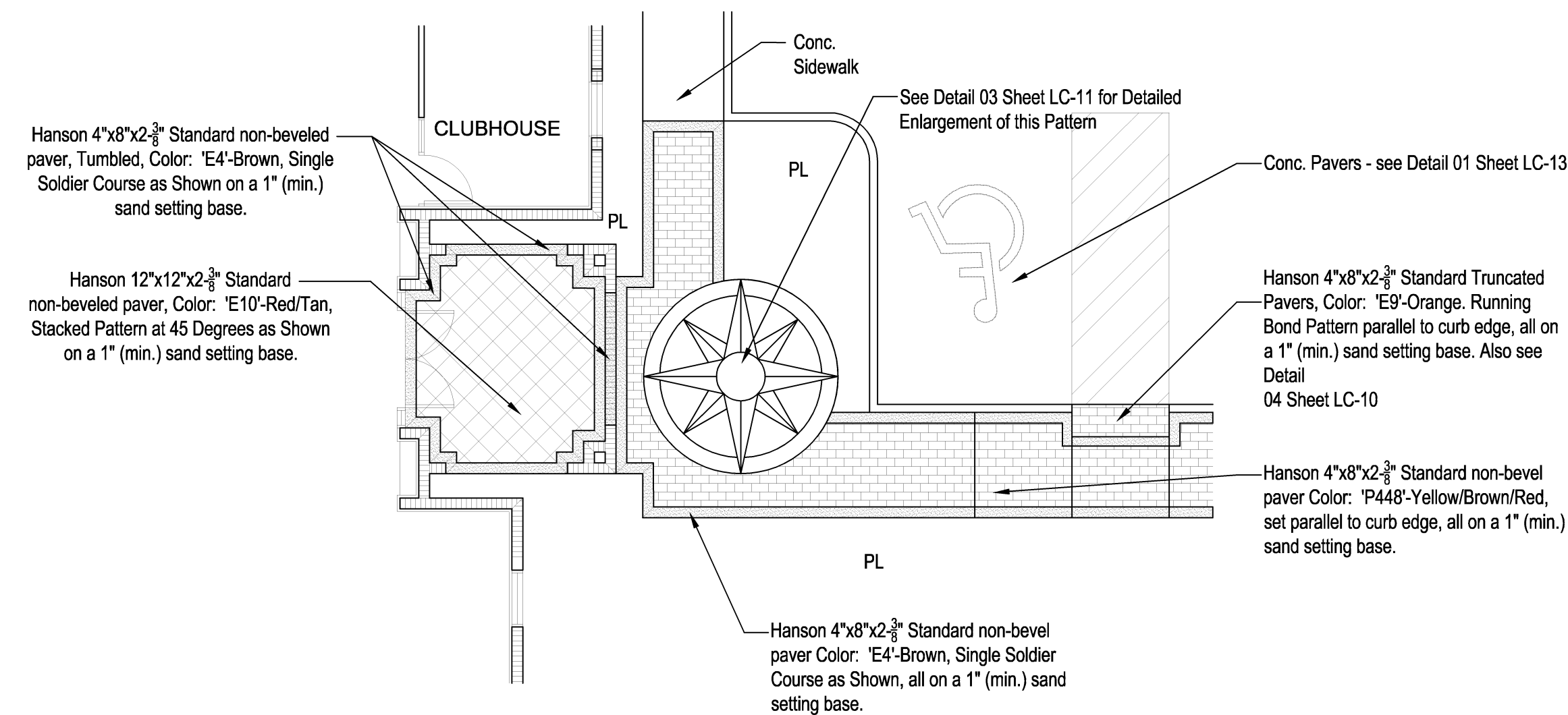
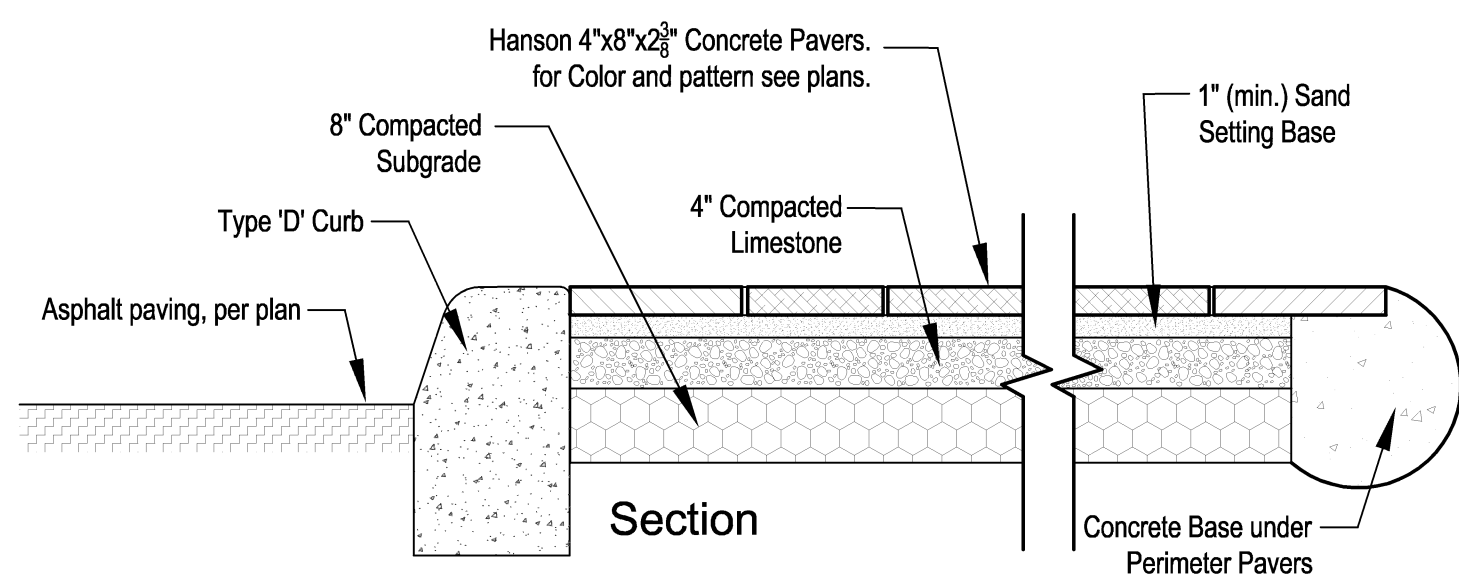
02 ROADWAY PAVER DETAIL

N.T.S



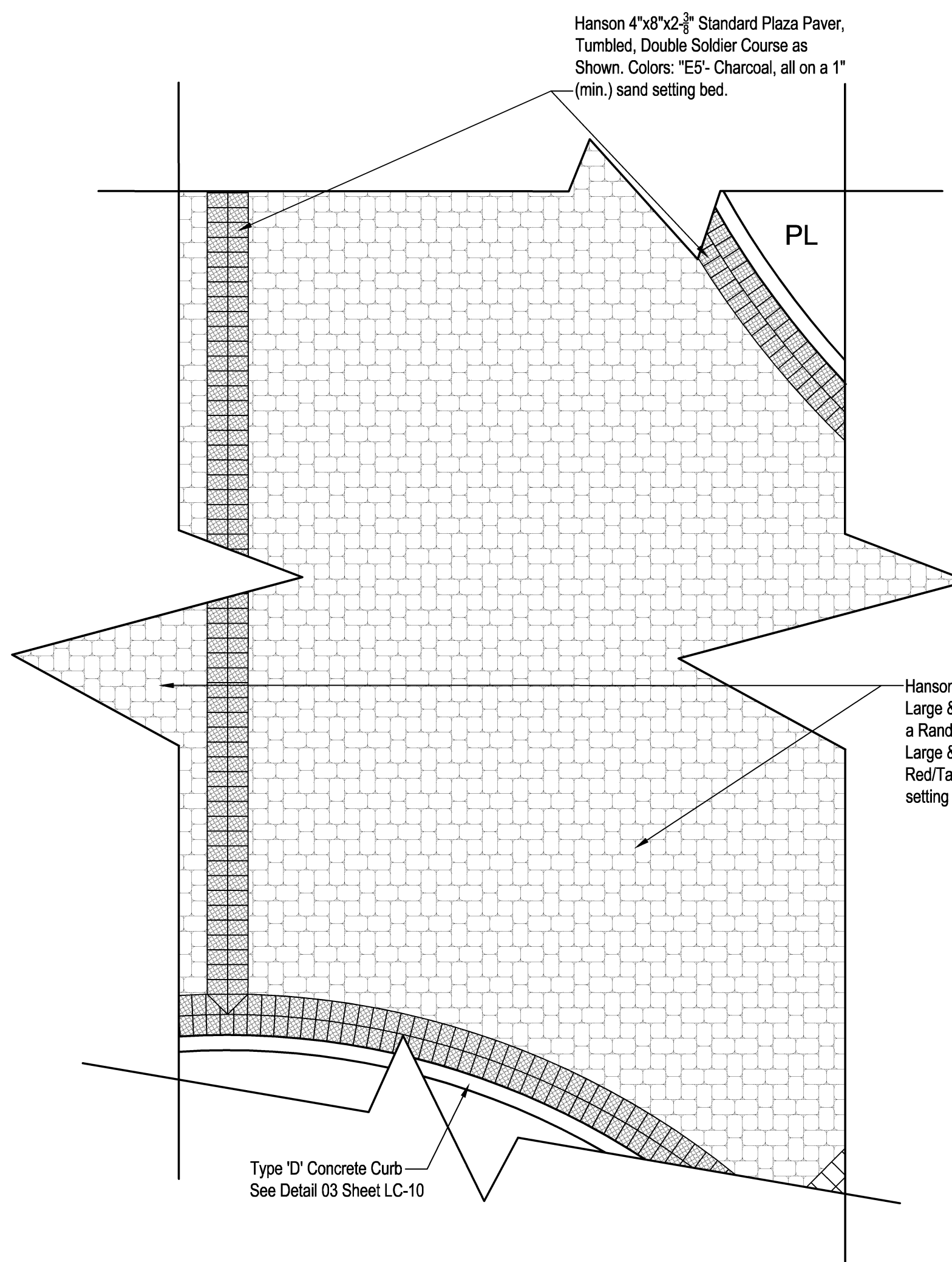
03 CLUBHOUSE ENTRY MEDALLION DETAIL

SCALE: 3/8" = 1'-0"



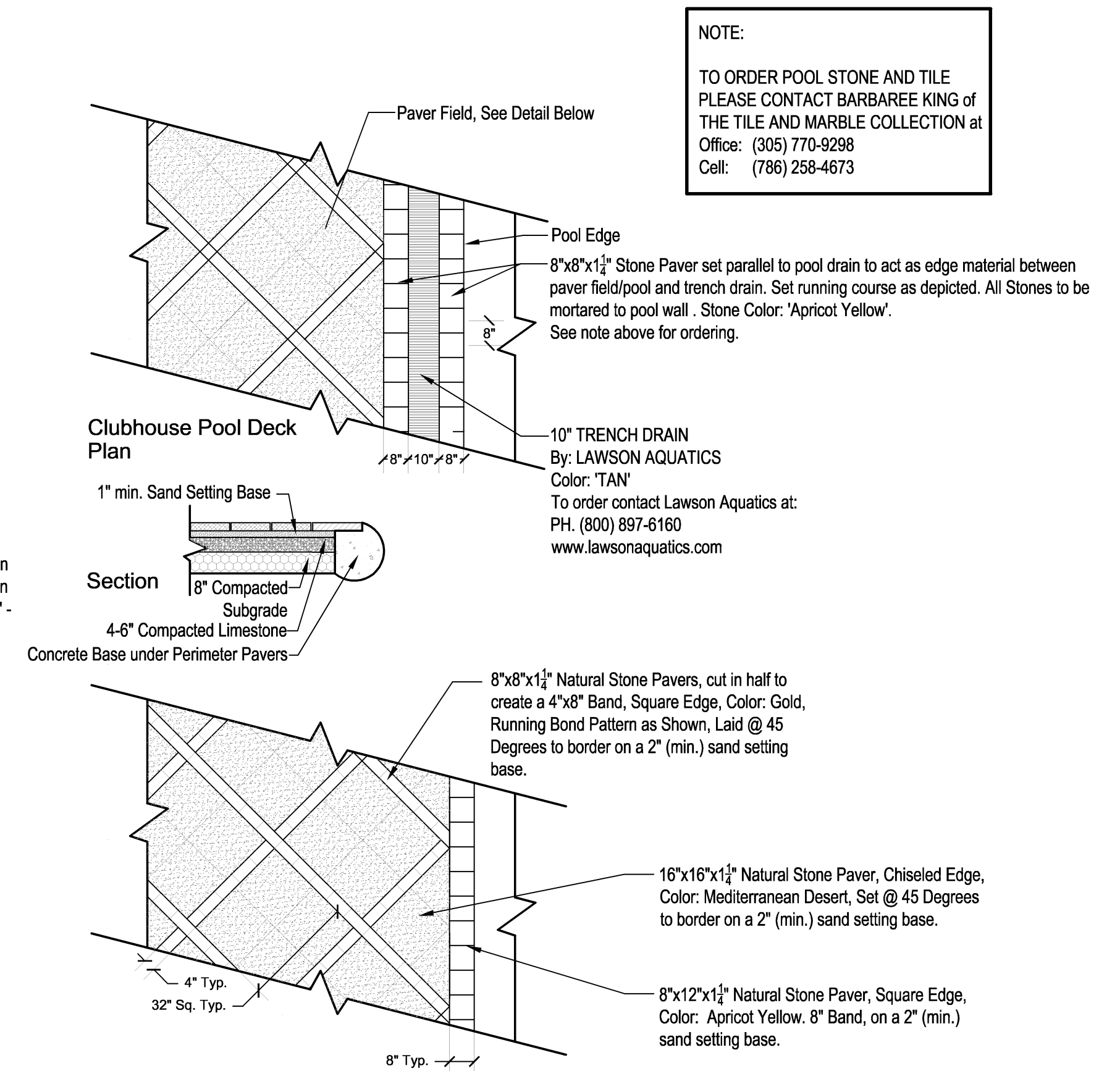
04 CLUBHOUSE ENTRY PAVER DETAIL

SCALE: 1/8" = 1'-0"



05 ROTARY PAVER DETAIL

N.T.S



06 POOL PAVING DETAIL

N.T.S

REVISIONS	BY
12-17-12-PERMIT SM	ES/HJ

CASA PALMA  
FOR:  
ZF DEVELOPMENT, LLC.  
LOCATED AT:  
COCONUT CREEK, FLORIDA

MSA ARCHITECTS, INC.  
MIAMI OFFICE  
3100 104th ST.  
SUITE 100  
MIAMI, FLORIDA 33166  
(305) 273-9911

MSA ARCHITECTS  
ARCHITECTURE & PLANNING

DRAWN	ES
CHECKED	HJ
DATE	12/22/11
SCALE	AS SHOWN
JOB NO.	1495.PRJ
SHEET	11

ARCHITECTURE  
LANDSCAPE ARCHITECTURE  
LAND PLANNING  
INTERIOR DESIGN  
GOVERNMENTAL PROCESSING  
ARCHITECTURAL ALLIANCE  
612 S.W. FOURTH AVENUE, FORT LAUDERDALE, FLORIDA 33315, AA C020284 LC C002237  
TEL: (954) 764-8858 FAX: (954) 764-0731 E-MAIL: landscape@archalliance.com

LC-11

HARDSCAPE  
DETAILS  
SHEET